



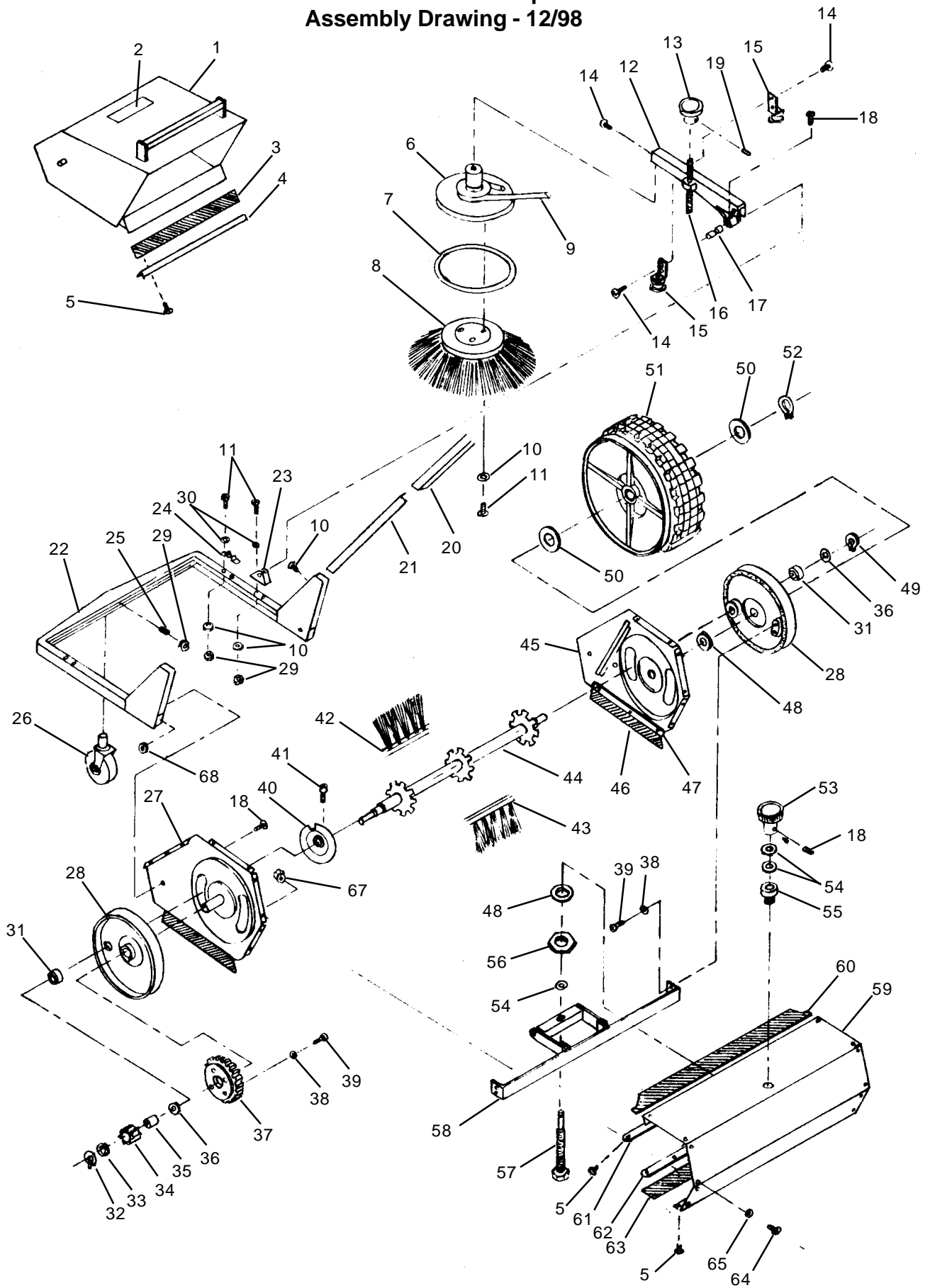
PS-27
Sweeper
Section II
Parts and Service Manual

Order Parts Here:



(78321B)

CLARKE TECHNOLOGY
Model PS-27 Sweeper
Assembly Drawing - 12/98



CLARKE TECHNOLOGY
Model PS-27 Sweeper
Parts List - 12/98

Ref.	Part No.	Description	Qty.				
1	54867A	Hopper Assembly	1	35	51820A	Clutch	1
2	77371A	Decal	1	36	980679	Washer 2.0 x 17.6 x 32	3
3	56430A	Skirt Hopper	1	37	54412A	Gear, Nylon	1
4	57359A	Retainer, Skirt	1	38	980442	M5 Spring Washer	4
5	964046	Screw, M4 x 0.7 x 10	30	39	964004	Screw 5 x 16	4
6	57237A	Pulley Assembly	1	40	56433A	Brush Support	1
7	51608A	Bumper, Side Broom	1	41	964012	M6 Socket Cap Screw	1
8	50504A	Broom, Side	1	42	56434A	Brush Rails 0.15 MM	5
9	50911A	"V" Belt	1	43	56435A	Brush Rails 0.25 MM	5
10	59854A	M6 Spring Washer	13	44	58315A	Shaft	1
11	964007	Screw M6 x 16	15	45	50421A	Panel, Right	1
12	50130A	Arm, Weldment	1	46	56436A	Skirt, Side	2
13	55522A	Knob, Side Broom	1	47	57360A	Retainer, Skirt	2
14	964053	Screw, M6 x 12	16	48	980630	Washer, 2.0 x 21, 1 x 40.1	3
15	54718A	Idler Assembly	2	49	57840A	Ring S-17	1
16	58804A	Stud Adjustment	1	50	980644	Washer, 2.0 x 16.4 x 32	4
17	50419A	Pin, Arm	1	51	59927A	Tire 12"	2
18	964005	Screw, M5 x 0.8 x 10	5	52	57841A	Ring S-16	2
19	962241	Socket Set, 10-24 x 1/2	2	53	55523A	Knob, Main Broom	1
20	54911A	Handle	1	54	980615	Washer, 1.2 x 10.5 x 25.4	3
21	56431A	Angle Handle	2	55	50422A	Pivot Assembly	1
22	53968A	Frame Weldment	1	56	920334	Nut, 1/2 PT.	1
23	50505A	Bracket, Side Broom	1	57	58805A	Stud, Adjustment	1
24	54230A	Guide, Hopper	2	58	50506A	Bracket	1
25	962337	Socket Set, 1/4-20 x 1/2	1	59	50423A	Panel, Cover	1
26	52115A	Caster 3" Assembly	1	60	56438A	Skirt, Hopper Upper	1
27	50420A	Panel, Left	1	61	57361A	Skirt, Retainer Upper	1
28	56432A	Shroud	2	62	56437A	Skirt, Retainer Lower	1
29	92400A	Nut, M6 x 1.0	7	63	56437A	Skirt, Lower	1
30	980646	Flat Washer M6	6	64	964047	Screw, M4 x 0.7	12
31	902550	Bearing, 620322 ZZ	3	65	980257	Washer, Hopper	12
32	57839A	Ring S-12	1	67	924002	Nut, M4	
33	980648	Washer, 1.5 x 13.1 x 23	1	68	924004	Nut, M5	2
34	57000A	Pinion	1				