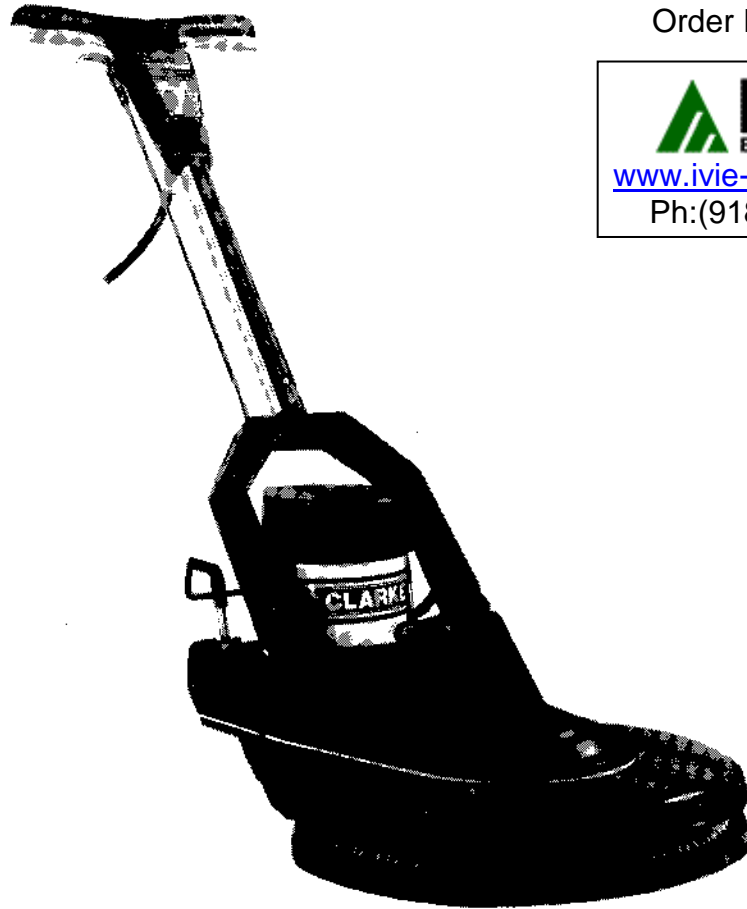


McGRAW-EDISON

Clarke®



Order Parts Here:


www.ivie-ent.com/parts
Ph:(918)254-5161

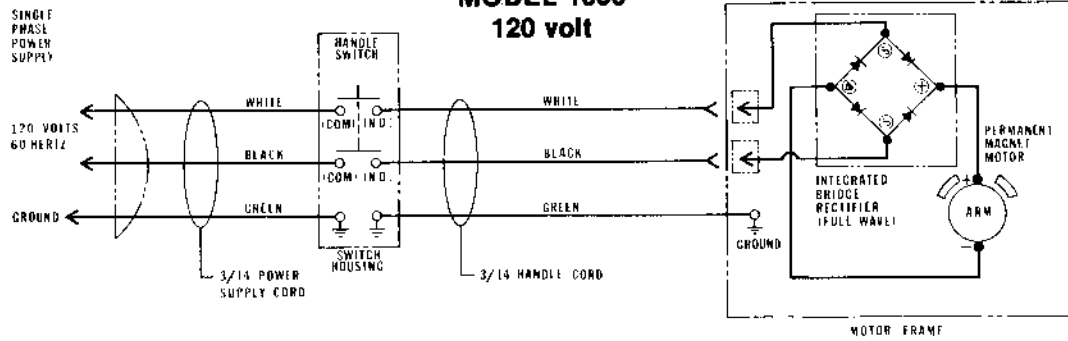
READ THIS BOOK

This book has important information for the use and safe operation of this machine. Read this book carefully before starting the machine. Keep this book and tell all operators to read the book. If you do not follow the instructions, you can cause an injury, or damage equipment, furniture, or buildings.

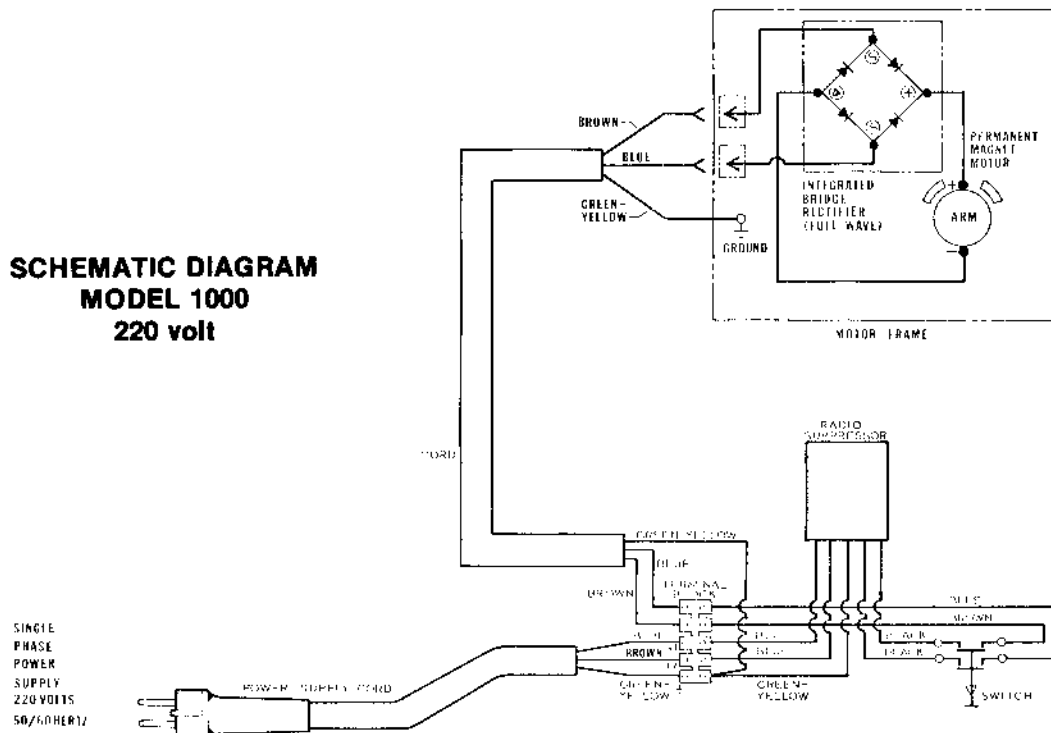
All directions given in this book are as seen from the operator's position at the rear of the machine.

**Instruction Book
and Parts List
1000 RPM Polisher
Burnisher
Model 1000**

SCHEMATIC DIAGRAM MODEL 1000 120 volt



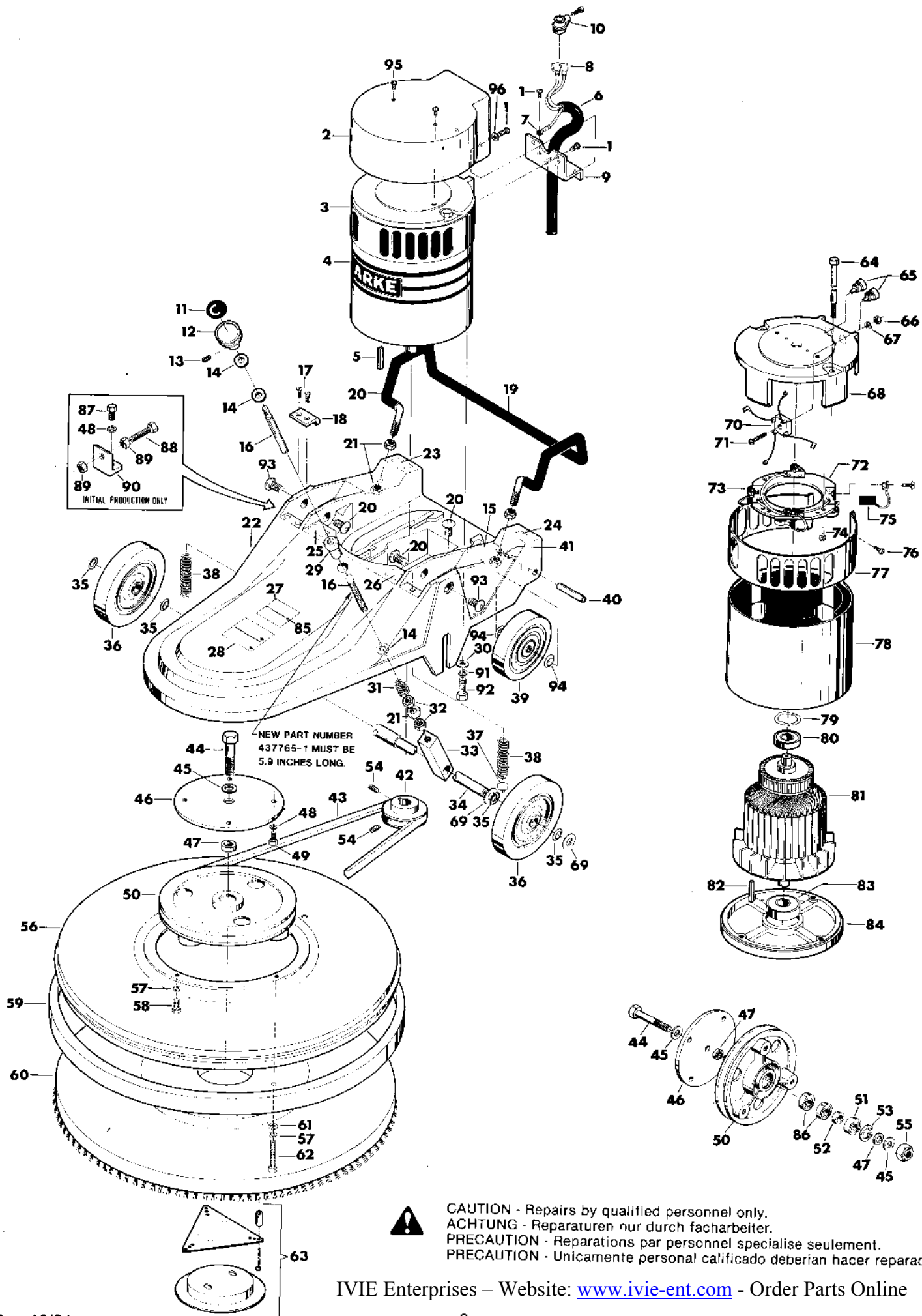
SCHEMATIC DIAGRAM MODEL 1000 220 volt



CAUTION - Repairs by qualified personnel only.
 ACHTUNG - Reparaturen nur durch facharbeiter.
 PRECAUTION - Reparations par personnel specialise seulement.
 PRECAUTION - Unicamente personal calificado deberian hacer reparaciones.

TRANSLATION

ENGLISH TRANSLATION	DEUTSCHE ÜBERSETZUNG	TRADUCTION FRANÇAISE	ESPAÑOL
Yellow	Gelb	Jaune	Amarillo
Red	Rot	Rouge	Rojo
Orange	Orange	Orange	Naranja
White	Weiss	Blanc	Blanco
Black	Schwarz	Noir	Negro
Blue	Blau	Bleu	Azul
Brown	Braun	Brun	Moreno
Green	Grün	Vert	Verde
Green/Yellow	Grün/Gelb	Vert/Jaune	Verde/Amarillo
Radio Suppressor	Funkenstörfilter	Filtre de Déparasitage	Filtro Suprimidor
Hose	Rohr	Tuyau	Manguera
Adaptor	Adapter	Adapteur	Adaptador
Cord	Kabel	Cable	Cable
Motor	Motor	Moteur	Motor
Switch	Schalter	Interrupteur	Interruptor
Armature (Arm)	Armatur	Armature	Inducido
Cord Extension	Netzkabel	Cordelière	Extension de Cordón Electrico
Terminal Block	Klemmleiste	Borne de Raccordement	Bloque Terminal
Power Supply Cord	Netzanschlussleitung	Cable D'Alimentation	Cable Fuerza Electrica

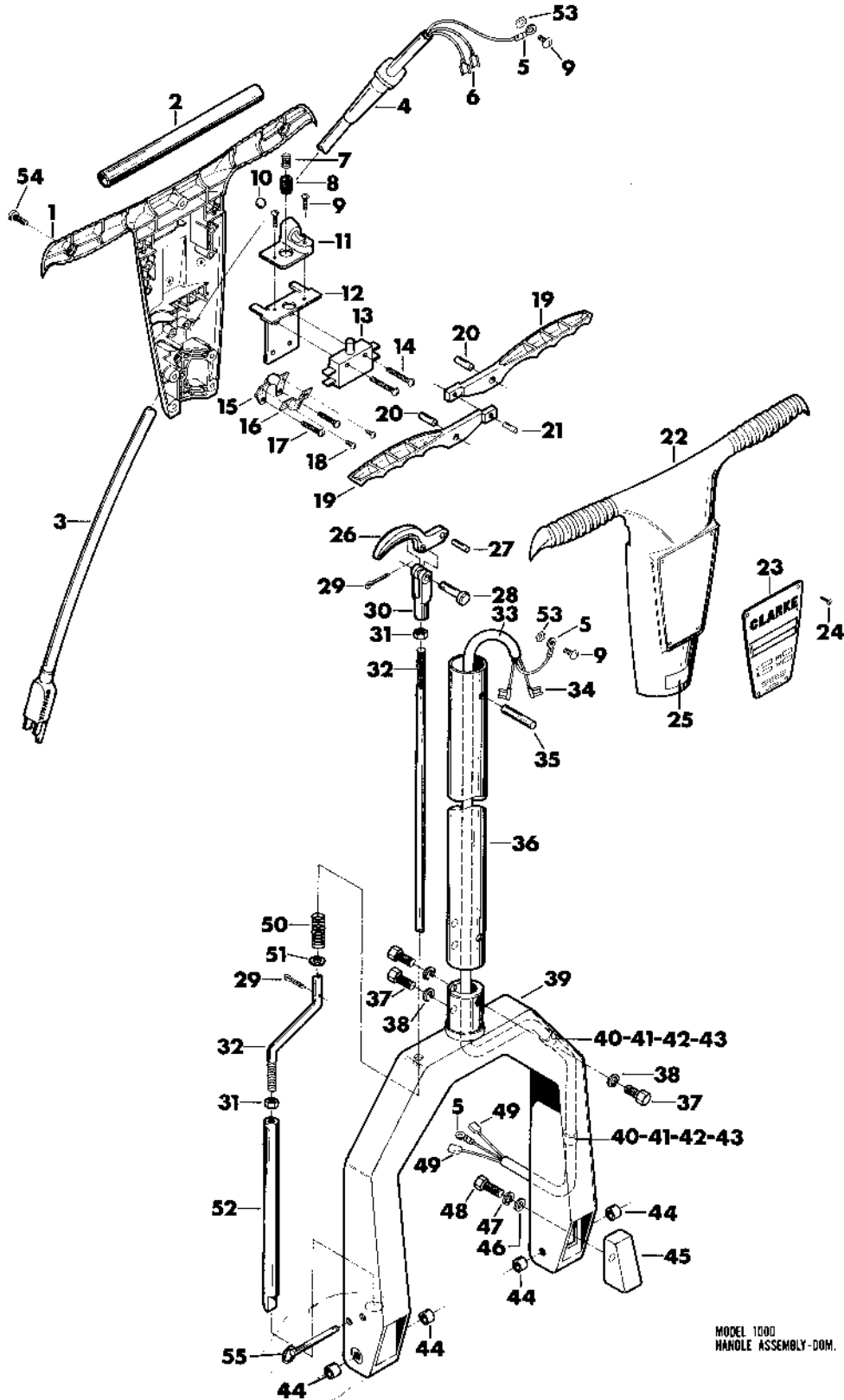


CLARKE — MODEL 1000 POLISHER MAIN FRAME ASSEMBLY

IVIE Enterprises — Website: www.ivie-ent.com - Order Parts Online

Rev 10/81

Ref. No.	Code No.	Description	Qty.	Ref. No.	Code No.	Description	Qty.
1	962350-5	Screw - 10 - 32 X 1/2 Rd. Hd.	7	56	437833-7	Brush Shield - 20"	1
2	432360-6	Cover - Drip	1	57	980652-2	Washer - 5/16 Lock	4
3	435260-5	Motor - 120 Volt	1	58	962147-5	Screw - 5/16 - 18 X 1/2 Hex Hd.	4
	435267-0	Motor - 220 Volt	1	59	441296-1	Bumper - 20"	1
4	435133-4	Label - Clarke Decorative (Logo)	1	60	435960-0	Pad Driver	1
5	915580-5	Key - 3/16 X 3/16 X 1 1/2 Lg. Square	1	61	980646-4	Washer - 1/4 Plain	3
6	909005-1	Handle Cord	1	62	962269-7	Screw-1/4-20X2 1/2 Hex St. Cap	3
7	911933-0	Terminal Clip	1	63	884016-7	Holder - Small Bear Pad	1
8	912162-5	Coupler - Female	2	64	960142-8	Through Bolt	2
9	430864-9	Bracket - Motor Leads	1	65	441195-5	Lead Bushing	2
10	437561-4	Strain Relief	1	66	920108-8	Hex Finish Nut	1
11	435162-3	Label - Pad Leveling	1	67	980612-6	Washer - #8 Stud Helical Spring	1
12	745080-2	Knob - Wheel Adjuster	1	68	430862-3	Commutator Bracket	1
13	962831-4	Screw - 10 - 32 X 5/16 Set	1	69	980099-6	Washer - 1/2 X 1 5/8 X 1/32	4
14	980615-9	Washer - 3/8 Standard Flat	3	70	912224-3	Rectifier Assembly w/Leads - 120 Volt	1
15	435164-9	Label - Motor Brushes	1		912225-0	Rectifier Assembly w/Leads - 220 Volt	1
16	437765-1	Shaft - Wheel Adjustment	1	71	962713-4	Mounting Screw	1
17	962724-1	Screw - 1/4 - 20 X 3/8 Flat Hd.	2	72	441396-9	Brush Board Ass'y w/Springs and Brushes - 120 Volt	1
18	436460-0	Plate - Latch Shoe Striker	1		431361-5	Brush Board Ass'y w/Springs and Brushes - 220 Volt	1
19	437462-5	Rod - Cord Wrap	1	73	448396-2	Brush Spring	4
20	962174-9	Screw - 3/8 - 16 X 7/8 Button	3	74	962730-8	Brush Board Screw 10 - 24 X 1/2 Type F	5
21	920148-4	Nut - 3/8 - 16 Hex Jam	5	75	440995-9	Brush Assembly - 120 Volt	4
22	433260-7	Frame - Main	1		430960-5	Brush Assembly - 220 Volt	4
23	805160-9	Label - Inspection	1	76			
24	215108-2	Label - Manufacturing Date	1	77	442395-0	Brush Band Cover	1
25	215110-8	Label - Caution (Spanish)	1	78	443160-9	Field Ass'y w/Magnets, Clips and Baffle - 120 Volt	1
26	215103-3	Label - Caution	1		433161-7	Field Ass'y w/Magnets, Clips and Baffle - 220 Volt	1
27	446303-0	Plate - Fire Warning (Eng/Spanish)	1	79	980076-4	Helical Washer	1
28	635139-9	Label - Warning	1	80	902550-3	Bearing F.E.	1
29	431160-1	Bushing - Rubber Shock	1	81	430460-6	Armature Ass'y w/B.E. and F.E. Bearings - 120 Volt	1
30	980629-0	Washer - 5/16 Plain	4		430461-4	Armature Ass'y w/B.E. and F.E. Bearings - 220 Volt	1
31	438360-0	Spring - Adjuster Shaft	2	82			
32	920248-2	Nut - 3/8 - 16 Hex ESNA	2	83	902547-9	Bearing B.E.	1
33	430861-5	Bracket - Axle Guide	1	84	436462-6	Motor Shaft Plate	1
34	437764-4	Shaft - Wheel Axle	1	85	930074-0	Rivet - 1/8 Diameter Closed End	2
35	980681-1	Washer - Wave	4	86	902733-5	Bearing - Set (2 per)	1
36	439760-0	Wheel - 5" Diameter	2	87	962086-5	Screw - 1/4 - 20 X 3/4 Hex Cap	2
37	431162-7	Bushing	2	88	962324-0	Screw - 5/16-18 X 1 1/2 Hex Cap	1
38	898359-5	Spring - Wheel Axle	2	89	920160-9	Nut - 5/16 - 18 Hex Jam	2
39	419704-2	Wheel - 4" Diameter	2	90	436461-8	Plate - Yoke Stop	1
40	437760-2	Shaft - Auxiliary Wheel	2	91	980638-1	Washer - 3/8 Lock	4
41	962013-9	Screw - 1/4 - 20 X 1 1/4 Rd. Hd.	2	92	962100-4	Screw - 3/8 - 16 X 7/8 Hex	4
42	436960-9	Pulley - Motor	1	93	962565-8	Screw - 3/8-16 X 3/4 Button Hd.	2
43	903400-0	Belt - 4L	1	94	980680-3	Washer 13/32 - Wave	4
44	961010-6	Screw Sheave MTG	1	95	962333-1	Screw - 10-32 x 1/4 Round Head	2
45	980673-8	Washer - 1/2 I.D. X 7/8 O.D.	2	96	980982-3	Washer - # 10 Plain	2
46	436660-5	Plate - Pulley Mounting	1				
47	438261-0	Spacer Sheave	2				
48	980657-1	Washer - 1/4 Lock	7				
49	962139-2	Screw - 1/4 - 20 X 5/8 Hex Cap	4				
50	438560-5	Sheave - Pad Driver	1				
51	902659-2	Bearing	1				
52	438262-8	Spacer - Sheave	1				
53	857301-6	Ring - Retaining	1				
54	962103-8	Screw - 5/16 - 18 X 3/8 Knurled Set	2				
55	920358-9	Nut - 1/2 - 13 Elastic Stop Hex	1				



MODEL 1000
HANDLE ASSEMBLY-DOM.



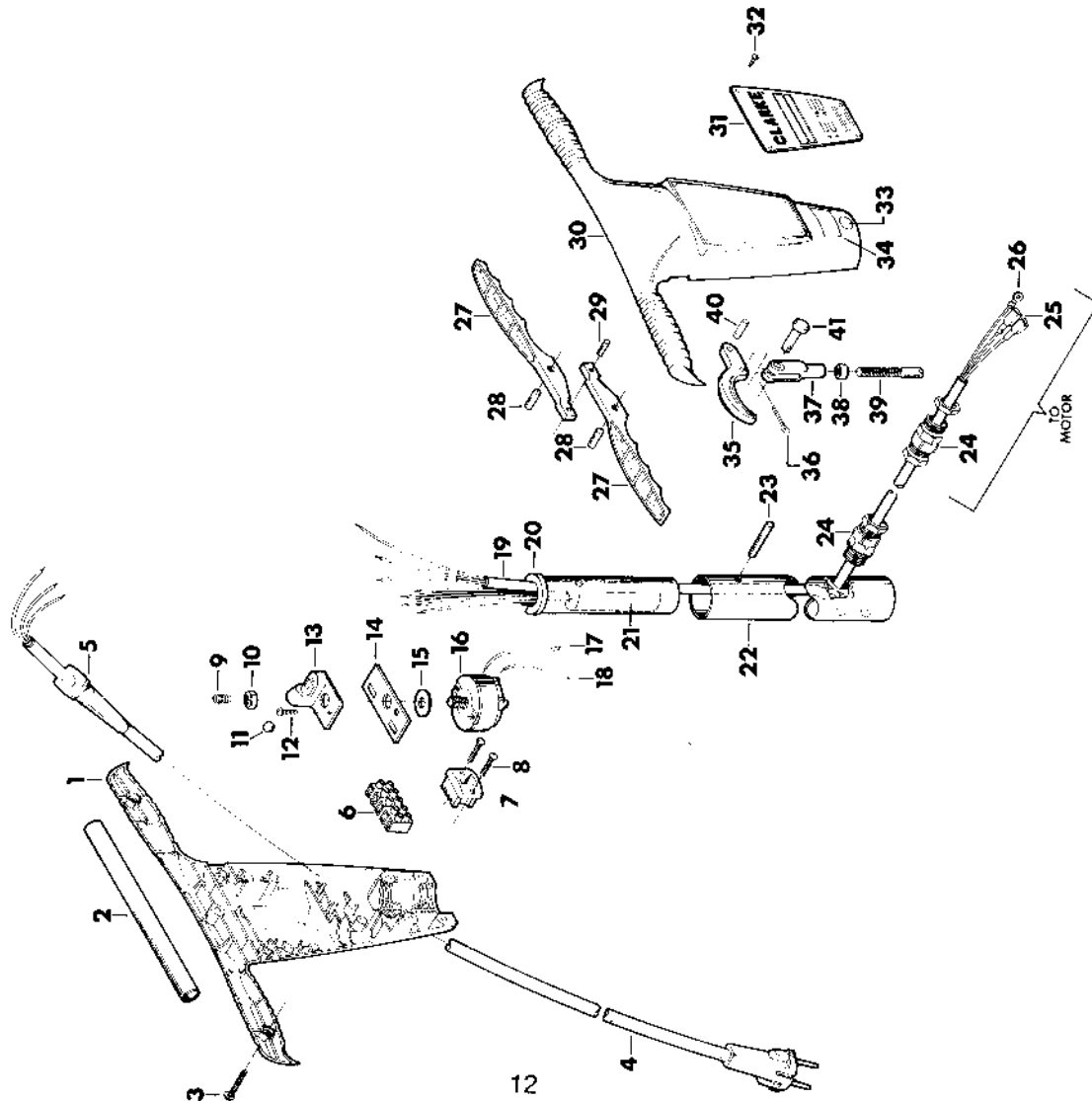
CAUTION - Repairs by qualified personnel only.
 ACHTUNG - Reparaturen nur durch facharbeiter.
 PRECAUTION - Reparations par personnel specialise seulement.
 PRECAUTION - Unicamente personal calificado deberian hacer reparaciones.

**CLARKE — MODEL 1000 POLISHER
HANDLE ASSEMBLY — DOMESTIC**

Ref. No.	Code No.	Description	Qty.	Ref. No.	Code No.	Description	Qty.
1	432331-7	Cover - Switch	1	31	920064-3	Nut - 1/4 - 28 N.F. Hex	1
2	449061-1	Tube - Handle Support	1	32	437461-7	Rod - Handle Latch	1
3	908977-2	Cord Assembly - 75 Ft.	1	33	908974-9	Handle Cord	1
4	437560-6	Strain Relief	1	34	911594-0	Terminal Clip	2
5	911933-0	Terminal Clip	3	35	925600-9	Pin - 1/4 Dia. X 1 7/8 Lg. Dowel	1
6	912179-9	Terminal - .032 X .250 Female	2	36	439060-5	Tube - Handle	1
7	868340-2	Spring - Switch	1	37	962147-5	Screw - 5/16 - 18 X 1/2 Hex Hd.	3
8	500241-5	Adaptor - Switch	1	38	980652-2	Washer - 5/16 Lock	3
9	964008-7	Screw - M 3.5 X 0.6 X 10 PN - ST	4	39	439960-6	Yoke - Handle	1
10	441395-1	Ball - Switch Lock	1	40	812180-8	Clamp - Wire Domestic	2
11	430231-1	Adaptor - Switch	1	40	872102-9	Clip - Cord (Nylon) Export	2
12	430835-9	Bracket - Switch	1	41	962935-3	Screw - 10 - 32 X 3/4 Rd. St.	2
13	911690-6	Switch	1	42	980603-5	Washer - 110 Shakeproof	2
14	964020-2	Screw - M 3.5 X 0.6 X 20.0	2	43	920224-3	Nut - 10 - 32 Hex	2
15	432032-1	Clamp - Cord (Base)	1	44	431161-9	Bushing - Yoke	4
16	433033-9	Clamp - Cord (Cap)	1	45	430863-1	Bracket - Yoke Stop	1
17	962727-4	Screw #8 - 18 x 1/2 Lg. Pan	2	46	980629-0	Washer - 5/16 Plain	1
18	962407-3	Screw - 8 - 32 X 1/2 Rd. Hd. Sems External Tooth	2	47	980638-1	Washer - 3/8 Lock	1
19	435131-8	Lever - Switch	2	48	962100-4	Screw - 3/8 - 16 X 7/8 Hex Hd.	1
20	446760-1	Pin - Outer Pivot	2	49	912162-5	Coupler - Female	2
21	925599-3	Pin - 5/32 X 1/2 Groove Type B	1	50	628382-4	Spring - Rod Return	1
22	434231-7	Housing - Switch	1	51	980646-4	Washer - 1/4 Plain	2
23	- - -	Plate - Model and Serial No.	1	52	437460-9	Rod - Latch Boss	1
24	962282-0	Screw - 0 - 00 X 3/16 Rd. Hd. Drive	4	53	980607-6	Washer - 1106 Shakeproof	2
25	755129-4	Label - Patent Pending	1	54	962936-1	Screw - 13/16 X 3/4 Pan Hd. Hi-Lo	9
26	445167-0	Lever - Lock	1	55	836707-0	Pin	1
27	925128-1	Pin - 3/16 Dia. X 5/8 Lg. Dowel	1				
28	696703-8	Pin - Clevis	1				
29	925575-3	Pin - 1/16 X 5/8 Cotter	2				
30	699901-5	Yoke - Latch Rod	1				

CLARKE -- MODEL 1000 POLISHER EXPORT SWITCH HOUSING

Ref. No.	Code No.	Description	Qty.
1	432331-7	Cover - Switch	1
2	449061-1	Tube - Handle Support	1
3	962936-1	Screw - 13 - 16 X 3/4 Pan Hd. Hi-Lo	9
4	908956-6	Cord Assembly - 50 ft.	1
5	447560-4	Strain Relief	1
6	911655-9	Block - Terminal	1
7	442060-0	Clamp - Cord	1
8	962942-9	Screw - 8 - 18 X 1" Pan Hd. Hi-Lo	2
9	748350-6	Spring - Switch	1
10	---	Nut (Part of Switch)	--
11	441395-1	Ball - Switch Lock	1
12	964046-7	Screw - M4 X 0.7 X 10.0 PN-ST	1
13	430231-1	Adaptor - Switch	1
14	430833-4	Bracket - Switch	1
15	980045-9	Washer - Switch Spacer	1
16	912001-5	Switch - Handle	1
17	912003-1	Lead (Blue) 5"	1
18	912002-3	Lead (Brown) 3"	1
19	908987-1	Cord Assembly - Handle	1
20	444262-0	Housing - Radio Suppressor	1
21	448560-3	Suppressor - Radio	1
22	439060-5	Tube - Handle	1
23	925600-9	Pin - 1/4 Dia. X 1 7/8 Lg. Dowel	1
24	447561-2	Strain Relief	2
25	912162-5	Coupler (Female)	2
26	911933-0	Terminal Clip	1
27	435131-8	Lever - Switch	2
28	446760-1	Pin - Outer Pivot	2
29	925599-3	Pin - 5/32 X 1/2 Groove	1
30	434231-7	Housing - Switch	1
31	---	Plate - Model and Serial No. (Blank)	1
32	962282-0	Screw - 0 - 00 X 3/16 Rd. Hd. Drive	4
33	445161-3	Label - V.D.E. Radio Suppression	1
34	755129-4	Label - Patent Pending	1
35	445167-0	Lever - Lock	1
36	925575-3	Pin - 1/16 X 5/8 Cotter	2
37	699901-5	Yoke - Latch Rod	1
38	920064-3	Nut - 1/4 - 28 N.F. Hex	1
39	437461-7	Rod - Handle Latch	1
40	925128-1	Pin - 3/16 Dia. X 5/8 Lg. Dowel	1
41	696703-8	Pin - Clevis	1



CAUTION - Repairs by qualified personnel only.
 ACHTUNG - Reparaturen nur durch facharbeiter.
 PRECAUTION - Reparations par personnel specialise seulement.
 PRECAUTION - Unicamente personal calificado deberian hacer reparaciones.

