

Order Parts Here:

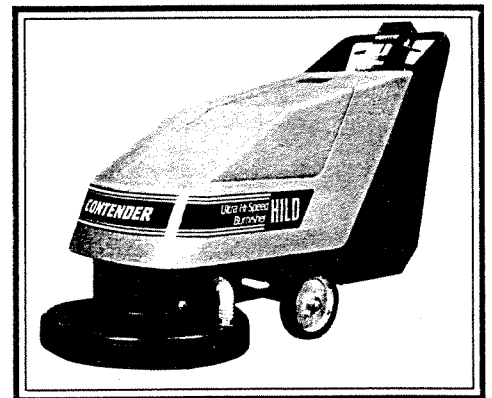


[www.ivie-ent.com/parts](http://www.ivie-ent.com/parts)

Ph:(918)254-5161

# CONTENDER

ULTRA HIGH-SPEED  
BATTERY POWERED BURNISHER



*Shown above with Dust Control System*

# HILD®



## MODEL HI-2000C

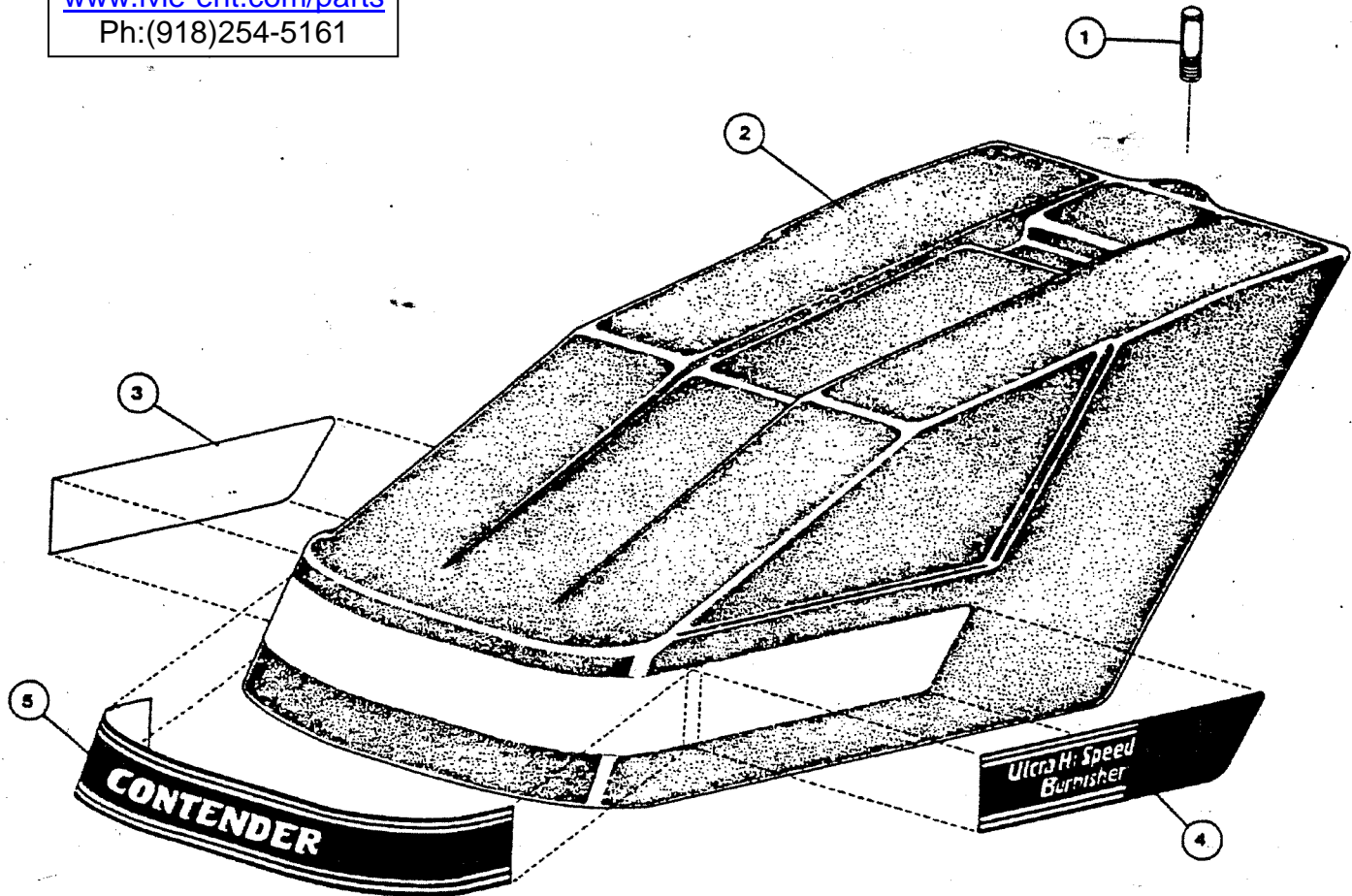
- 19" pad with 2000 RPM on the floor.
- 2 1/2 HP DC motor with circuit protection.
- Featuring the revolutionary Floppy Disk.®
- Shipping weight 115 lbs. (machine only).

Order Parts Here:



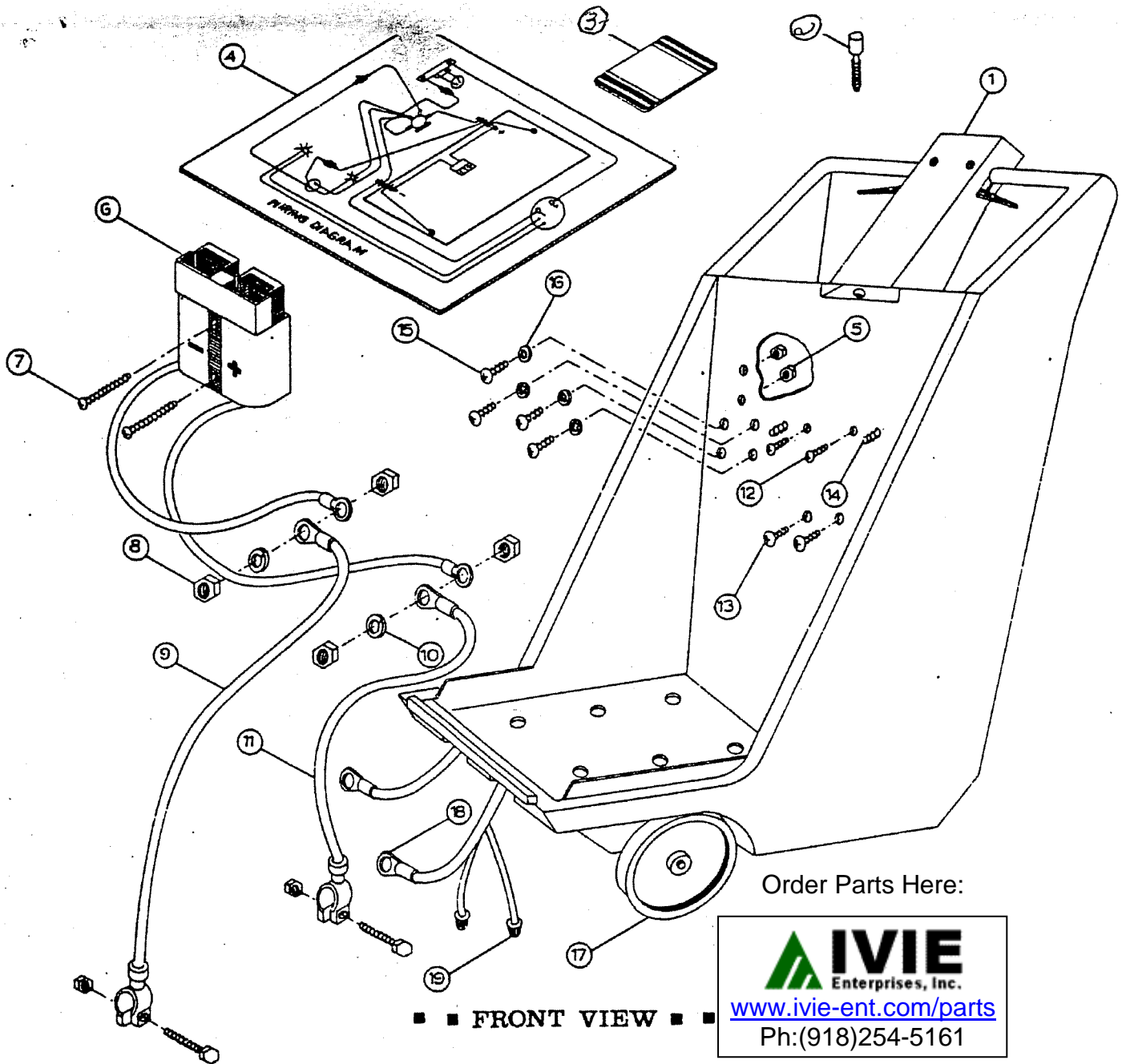
[www.ivie-ent.com/parts](http://www.ivie-ent.com/parts)

Ph:(918)254-5161



■ ■ HOOD COVER ASSEMBLY ■ ■

REF No.	PART No.	CODE No.	DESCRIPTION	QTY
1	200111	2001110	7/16" ROUND STUD, HOOD COVER	1
2	200102	2001020	HOOD COVER	1
3	200201	2002010	DECAL L/O, LEFT HAND	1
4	200201-A	2002011	DECAL L/O, RIGHT HAND	1
5	200202	2002020	DECAL L/O, FRONT	1



Order Parts Here:

  
[www.ivie-ent.com/parts](http://www.ivie-ent.com/parts)  
 Ph:(918)254-5161

REF No.	PART No.	CODE No.	DESCRIPTION	QTY
1	200101	2001010	CHASSIS HOUSING	1
2	200111	2001110	7/16" ROUND STUD, HOOD COVER	1
3	200203	2002030	TOP HORN DECAL	1
4	NP-193	0001930	WIRING DIAGRAM DECAL	1
5	2160-2	0216002	HEX. SCREW NUT #6-32 STEEL	2
6	200190	2001900	CHARGER PLUG ASSEMBLY	1
7	2025-56	0202556	BINDER HD. SCREW #6-32x7/8 STEEL	2
8	2160-14	0216014	HEX. SCREW NUT # 5/16-18 STEEL	4
9	200191	2001910	CABLE ASSEMBLY #4x24	1
10	2100-9	0210009	SPRING LOCKWASHER 5/16 STEEL	2
11	200193	2001930	CABLE ASSEMBLY #4x12 (RED)	1
12	2035-29	0203529	PAN HD. SCREW #10-24x3/4 STEEL	2
13	2035-16	0203516	PAN HD. SCREW #1/4-20x5/8	2
14	200120	2001200	STUD, TERMINAL	2
15	2035-16	0203516	PAN HD. SCREW #1/4-20x5/8	4
16	2105-4	0210504	INTERNAL TOOTH LOCKWASHER	4
17	200185	2001850	WHEEL, 8.00x1.62	2
18	200187	2001870	CABLE ASSEMBLY #4x50"	2
19	200197	2001970	WIRE ASSEMBLY #14x70"	2

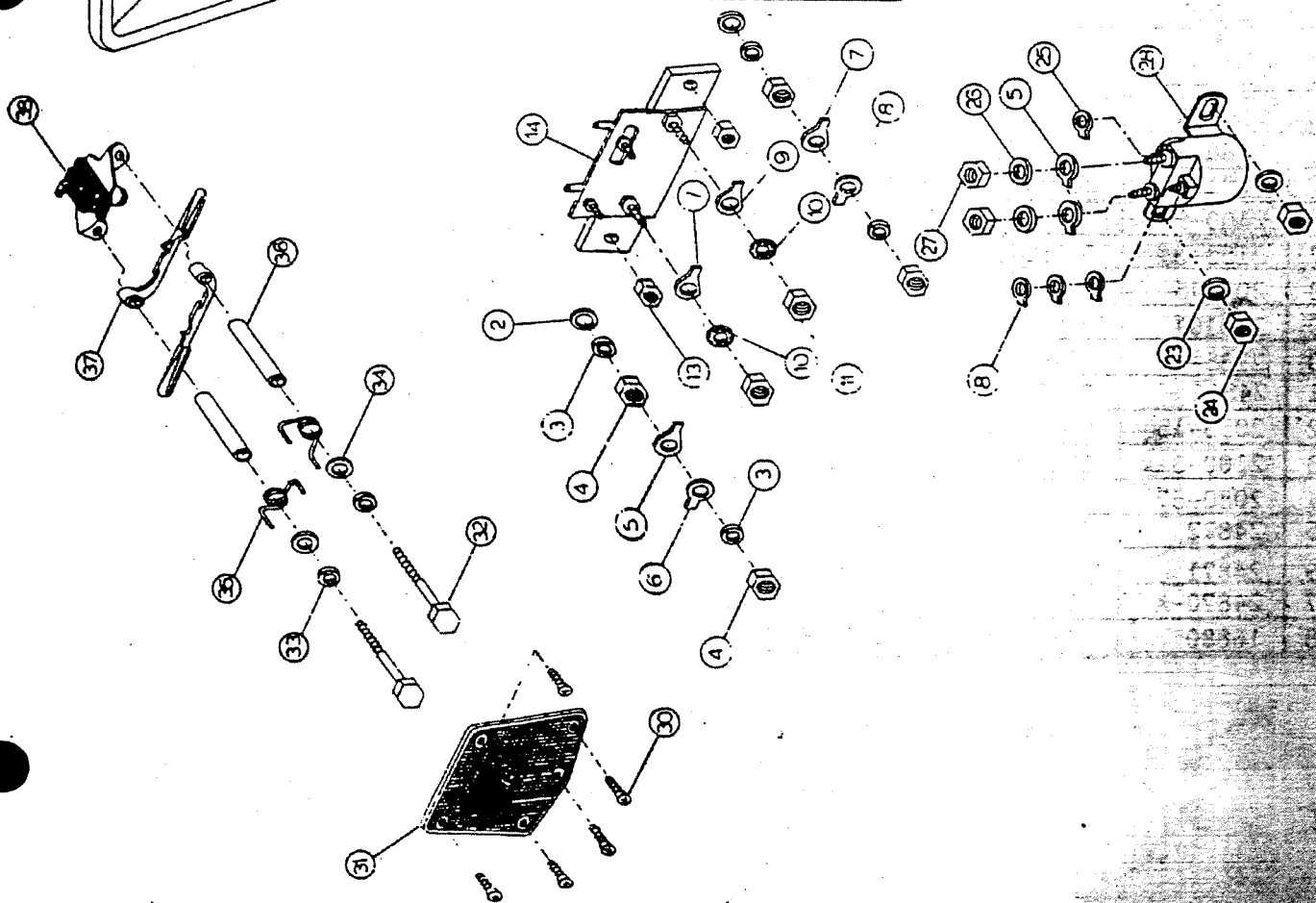
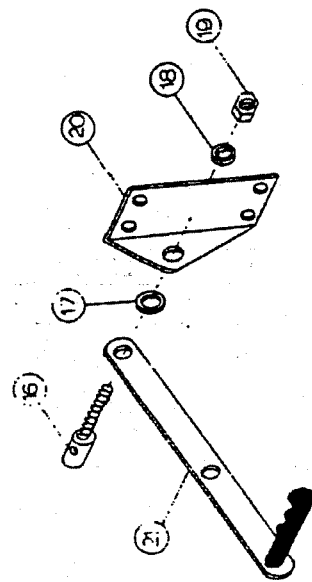
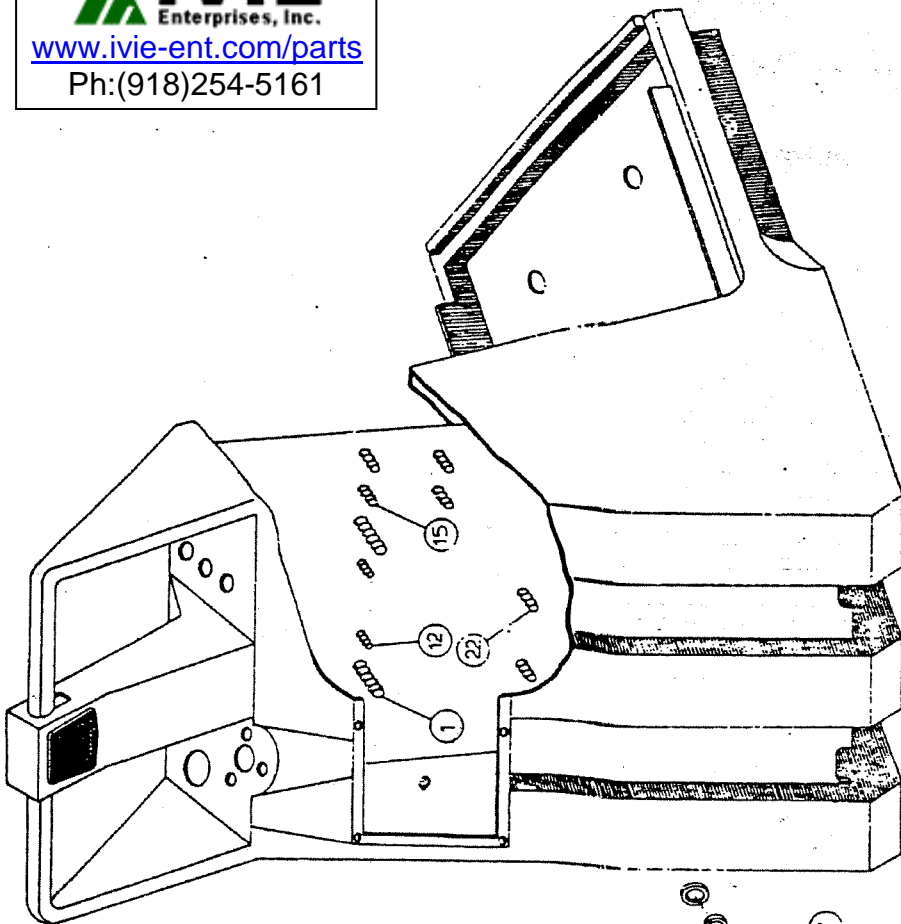
Order Parts Here:



[www.ivie-ent.com/parts](http://www.ivie-ent.com/parts)

Ph:(918)254-5161

INSIDE VIEW

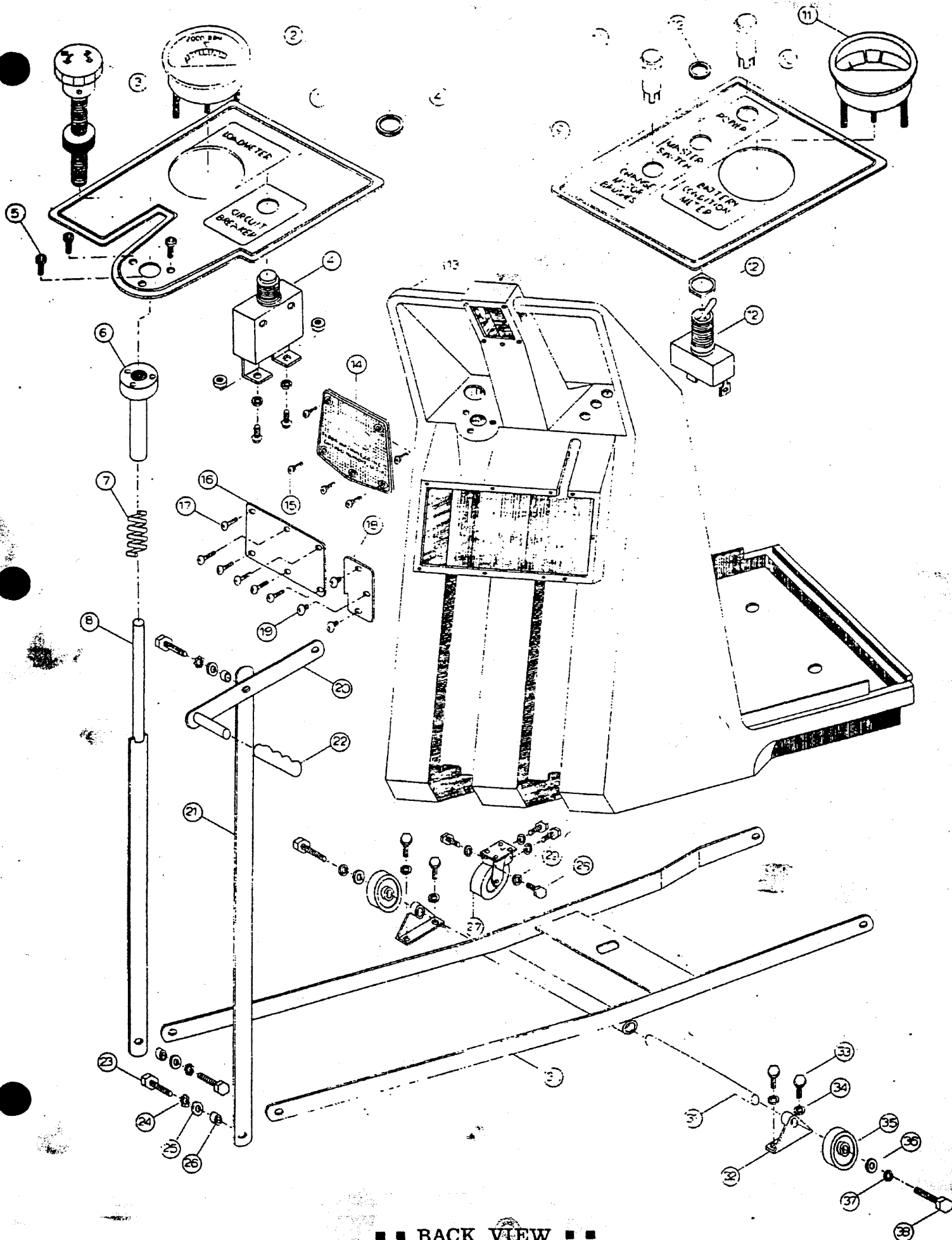



[www.ivie-ent.com/parts](http://www.ivie-ent.com/parts)

Ph:(918)254-5161

■ ■ INSIDE VIEW ■ ■

REF No.	PART No.	CODE No.	DESCRIPTION	QTY
1	200120	2001200	STUD, TERMINAL	2
2	2080-1	0208001	WASHER 5/16x3/4x1/16 STEEL	2
3	2100-9	0210009	SPRING LOCKWASHER 5/16 STEEL	4
4	2160-14	0216014	HEX. SCREW NUT #5/16-18 STEEL	4
5	200186	2001860	CABLE ASSEMBLY #4x6"	1
6	200196	2001960	WIRE ASSEMBLY #14x12"	1
7	200187	2001870	CABLE ASSEMBLY #4x50"	2
8	200198-1	2001981	WIRE ASSEMBLY #14x8"	1
9	200188	2001880	CABLE ASSEMBLY #4x12" (BLACK)	2
10	2105-4	0210504	INTERNAL TOOTH LOCKWASHER 1/4	2
11	2160-12	0216012	HEX SCREW NUT #1/4-20 STEEL	2
12	2035-29	0203529	PAN HD. SCREW #10-24x3/4 STEEL	2
13	2160-6	0216006	HEX. SCREW NUT #10-24	2
14	200176	2001760	SHUNT	1
15	2035-16	0203516	PAN HD. SCREW #1/4-20x5/8	4
16	200110	2001100	PIVOT	1
17	2106-8	0210608	SPRING WASHER 7/8x37/64x9/64	2
18	2100-10	0210010	SPRING LOCKWASHER 3/8 MED. STEEL	1
19	2155-3	0215503	FLEXLOG NUT #3/8-16 STEEL	1
20	200107	2001070	BRACKET, LIFT HANDLE	1
21	200108	2001080	LIFT HANDLE	1
22	2035-16	0203516	PAN HD. SCREW #1/4-20x5/8	2
23	2100-3	0210003	SPRING LOCKWASHER 1/4	2
24	2160-11	0216011	HEX. SCREW NUT #1/4-20 S.S.	2
25	200195	2001950	WIRE ASSEMBLY #14x20	1
26	2100-9	0210009	SPRING LOCKWASHER 5/16 MED. STEEL	2
27	2155-2	0215502	FLEXLOG LOCKNUT # 5/16-18 STEEL	2
28	200175	2001750	CONTRACTOR (36 VOLT)	1
29	200101	2001010	CHASSIS HOUSING	1
30	2135-11	0213511	PH. THD. CUT SCREW #8-32x1/2	5
31	24866	0248660	COVER, SWITCH BOX	1
32	2055-15	0205515	HEX. HD. CAP SCREW #1/4-20x1 1/2 STEEL	2
33	2100-3	0210003	SPRING LOCKWASHER 1/4 STEEL	2
34	2080-57	0208057	WASHER 1/4x5/8x1/16 STEEL	2
35	24872	0248720	SPRING	2
36	24871	0248710	BUSHING	2
37	24870-A	0248701	LEVER, SWITCH	2
38	16880	0168800	SWITCH ASSEMBLY	1



■ ■ BACK VIEW ■ ■


[www.ivie-ent.com/parts](http://www.ivie-ent.com/parts)

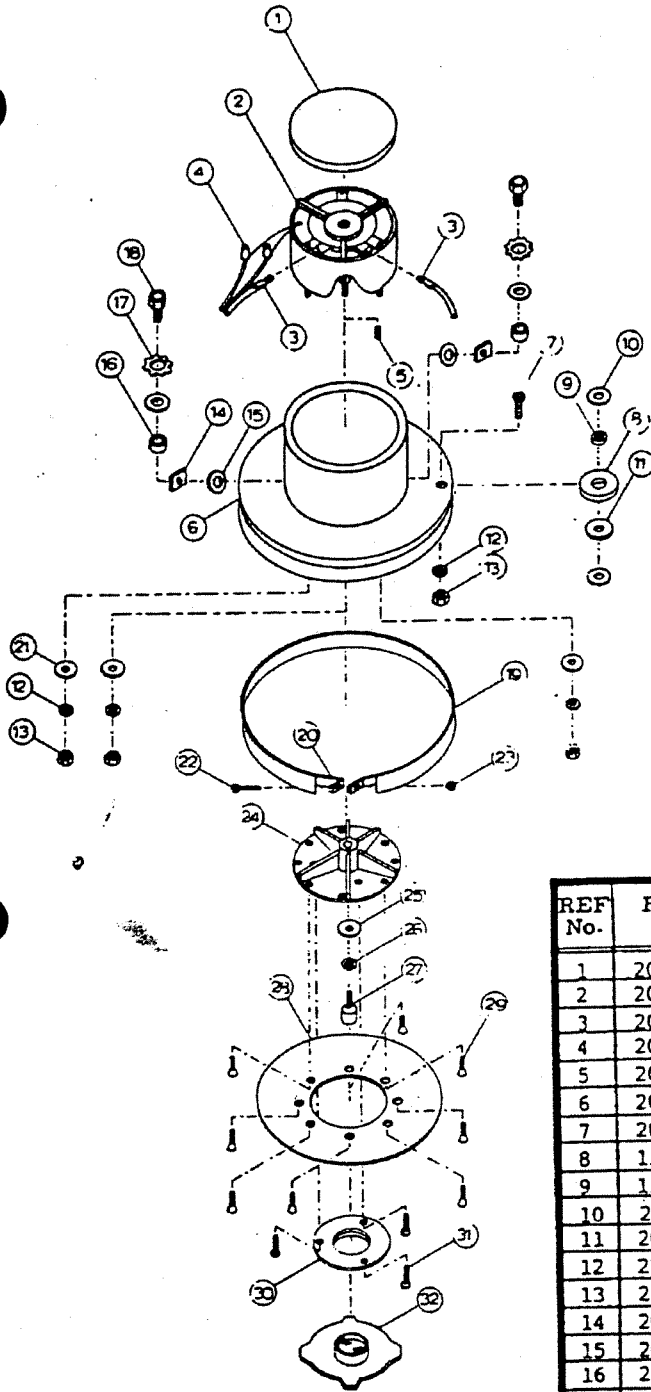
Ph:(918)254-5161

■ ■ BACK VIEW ■ ■

REF No.	PART No.	CODE No.	DESCRIPTION	QTY
1	200199	2001990	CONTROL PANEL DECAL, LEFT	1
2	200177	2001770	METER, RPM	1
3	200123	2001230	KNOB	1
4	200180	2001800	CIRCUIT BREAKER 60A	1
5	2035-18	0203518	PAN HD. SCREW #1/4-20x3/4	3
6	200116	2001160	SLEEVE	1
7	200126	2001260	SPRING, ADJUSTER	1
8	200115	2001150	ROD LEVER	1
9	200200	2002000	CONTROL PANEL DECAL, RIGHT	1
10	200181	2001810	INDICATOR LIGHT 28 VDC	2
11	200178	2001780	METER, BATTERY CONDITION	1
12	200182	2001820	SWITCH, TOGGLE S.P.S.T.	1
13	200101	2001010	CHASSIS HOUSING	1
14	24866	0248660	COVER, SWITCH BOX	1
15	2135-11	0213511	PH. THD. CUT SCREW #8-32x1/2	5
16	200117	2001170	COVER PANEL	1
17	2035-4	0203504	PAN HD. SCREW #8-32x5/8 STEEL	6
18	200118	2001180	LATCH PLATE	1
19	2000-76	0200076	ROUND HD. SCREW #8-32x5/8. STEEL	3
20	200108	2001080	LIFT HANDLE	1
21	200109	2001090	LIFT LEVER	1
22	13804-C	0138043	HANDLE GRIP	1
23	2010-33	0201033	HEX HD. CAP SCREW 1/2-13x3/4 STEEL	3
24	2104-1	0210401	EXTERNAL TOOTH LOCKWASHER 5/8	3
25	2080-60	0208060	WASHER 1/2x1x1/16 STEEL	3
26	200121	2001210	BUSHING 5/8 SRS	3
27	200184	2001840	4" SWIVEL CASTER	1
28	2010-11	0201011	STANDARD HEX. HD. SCREW #3/8-16x3/4 STEEL	4
29	2100-10	0210010	SPRING LOCKWASHER 3/8 MED. STEEL	4
30	200106	2001060	LIFT WELDMENT	1
31	200113	2001130	AXLE	1
32	200114	2001140	MOUNT BRACKET, AXLE	2
33	2010-33	0201033	HEX. HD. CAP SCREW 1/2-13x3/4 STEEL	4
34	2100-11	0210011	SPRING LOCKWASHER 1/2 MED. STEEL	4
35	200185	2001850	WHEEL, 8.00x1.62	2
36	2080-61	0208061	WASHER 1/2x1x3/32 STEEL	2
37	2100-10	0210010	SPRING LOCKWASHER 3/8 MED. STEEL	2
38	2010-11	0201011	STANDARD HEX. HD. SCREW #3/8-16x3/4 STEEL	2

Order Parts Here:

  
[www.ivie-ent.com/parts](http://www.ivie-ent.com/parts)  
 Ph:(918)254-5161



■ ■ SKIRT HOUSING ■ ■

REF No.	PART No.	CODE No.	DESCRIPTION	QTY
1	200129	2001290	FILTER MOTOR	1
2	200130	2001300	MOTOR	1
3	200187	2001870	CABLE ASSEMBLY #4x50"	2
4	200197	2001970	WIRE ASSEMBLY #14x70"	2
5	2050-5	0205005	KEY 3/16x3/16x1	1
6	200103	2001030	SKIRT HOUSING	1
7	2035-27	0203527	PAN. HD. SCREW #1/4-20x1 1/4	1
8	115267	1152670	WHEEL	1
9	115268	1152680	BUSHING	1
10	2075-28	0207528	BRASS WASHER 17/64x15/16x1/16	2
11	2085-21	0208521	NYLON WASHER .270x1/8x5/32	1
12	2100-3	0210003	SPRING LOCKWASHER 1/4 STEEL	4
13	2160-12	0216012	HEX. SCREW NUT #1/4-20 STEEL	4
14	200106	2001060	LIFT WELDMENT	2
15	2080-60	0208060	WASHER 1/2x1/16x1/16 STEEL	4
16	200121	2001210	BUSHING LIFT ARM 5/8 SRS	2
17	2104-1	0210401	EXTERNAL TOOTH LOCKWASHER 5/8	2
18	2010-33	0201033	HEX. HD. CAP SCREW 1/2-13x3/4 STEEL	2
19	200104	2001040	SPLASH GUARD	1
20	200105	2001050	STRAP SPLASH GUARD	1
21	2080-57	0208057	WASHER 1/4x5/8x1/16 STEEL	3
22	2035-27	0203527	PAN HD. SCREW #1/4-20x1 1/4	1
23	2160-12	0216012	HEX. SCREW NUT #1/4-20 STEEL	1
24	200694	2006940	HUB CAST & MACHINED	1
25	2080-4	0208004	WASHER 7/16x1x.078 STEEL	1
26	2080-1	0208001	WASHER 5/16x3/4x1/16 STEEL	1
27	2060-13	0206013	SOCKET HD. SCREW 5/16-18x3/4 S.S.	1
28	200693	2006930	FLOPPY DISK (ONLY)	1
-	200695	2006950	FLOPPY DISK ASSEMBLY (INCLUDES: 24-32)	1
29	2060-17	0206017	FLAT HD. SCREW #1/4-20x5/8 STEEL	8
30	14111-E-2	100158	LOCKING RING	1
31	2025-21	0202521	BINDER HD. SCREW #10-32x9/16	3
32	14111-E-1	100157	CENTER LOCK RING	1
-	14111-E	100156	CENTER LOCK RING ASSEMBLY	1



# The Contender offers these outstanding features:

## MOTOR

The 2 1/2 HP, DC, direct drive motor is specially designed for long life and maximum durability.

## BATTERIES

Providing maximum hours of operating time, the three 220 amp, 12V batteries are easily accessible for installation and removal. Recharger plug assembly is conveniently located for battery recharging without their removal.

## FLOPPY DISK<sup>®</sup>

Applies maximum pressure against the floor while drawing the least amount of amperage. The Floppy Disk<sup>®</sup>, a fully balanced pad holder with pad centering device, allows better control and ease of operation while conforming to irregularities of floor surface. Pad pressure is easily adjustable from 0-30 lbs.

## WHEELS

The tricycle wheel arrangement allows the Contender to be easily turned within its own length. There are two 8" ball bearing wheels and one 4" swivel caster. All three wheels have polyurethane tread for non-marking long life.

## HOOD COVER

The rotational molded, high density polyethylene, double wall construction provides ultimate durability with cleaning ease. The streamline hood cover provides the operator with a clear visual path and its lightweight enables easy access to the batteries.

## CHASSIS

One piece, rotational, high density polyethylene, with a double wall construction. Acid resistant.

## BASE COVER/MOTOR MOUNT

The base cover/motor mount is rotocast, high density polyethylene, double wall construction for impact resistance. The base cover tilts back for transporting the machine and simple removal/installation of the pad.

## LEXAN<sup>®</sup> SELF-EXTINGUISHING SWITCH LEVERS

Lexan<sup>®</sup> is a durable, lightweight and non-conductive material. Twin levers on switch box are designed with springs, to give complete on/off control using either lever, allowing hand relief and ease of operation.

## CONTROL PANEL

Controls are clearly marked on the control panel which is easily visible and conveniently located at the operator's finger tips.

- **BATTERY CONDITION METER** - provides a reading of the batteries' condition.
- **LOADMETER (AMPERAGE "MISER" GAUGE)** - indicates pad pressure by metering current draw.
- **MASTER SWITCH** - a safety feature preventing accidental start-up of machine.
- **POWER LIGHT** - indicates when master switch is in the "ON" position.
- **MOTOR BRUSH INDICATOR** - lights up when the carbon brushes need to be replaced, which rates about 2000 hours of work use.
- **CIRCUIT BREAKER** - safeguards against motor burn-out and trips current at 60 amps overload.

## ALSO AVAILABLE

### DUST COLLECTION SYSTEM

Standard on Model HI-2000D. The Dust Collection System is designed to eliminate surface dust.

### LIMITED WARRANTY

- |                  |                                      |
|------------------|--------------------------------------|
| <b>Ten years</b> | All rotational molded parts.         |
| <b>Two years</b> | Universal vacuum motor.              |
| <b>One year</b>  | All other parts excluding batteries. |

#### HILD FLOOR MACHINE CO., INC.

5338 West Lake Street  
Chicago, IL 60644-2487  
312.378.8558

Customer Service & Order Department

Order Line: 1.800.451.2457

Order FAX-Line: 1.800.333.HILD

Factory Branch

6474 Corvette Street  
City of Commerce, CA 90040-1703  
213.725.0611  
FAX: 213.725.6265

FORM # LCONT/883/CP

Distributed by:

Order Parts Here:



All illustrations and specifications in this brochure are based on current product information. HILD FLOOR MACHINE CO., INC. reserves the right to make changes at any time in prices, colors, materials, equipment specifications and products and to discontinue any model without prior notice.

# HILD<sup>®</sup>