
Order Parts Here:



Clarke[®]

Division of
ALTO[®]

ENCORE
S17 / L17
Section II
Parts and Service Manual

IVIE Enterprises – Website: www.ivie-ent.com - Order Parts Online

(70483A)

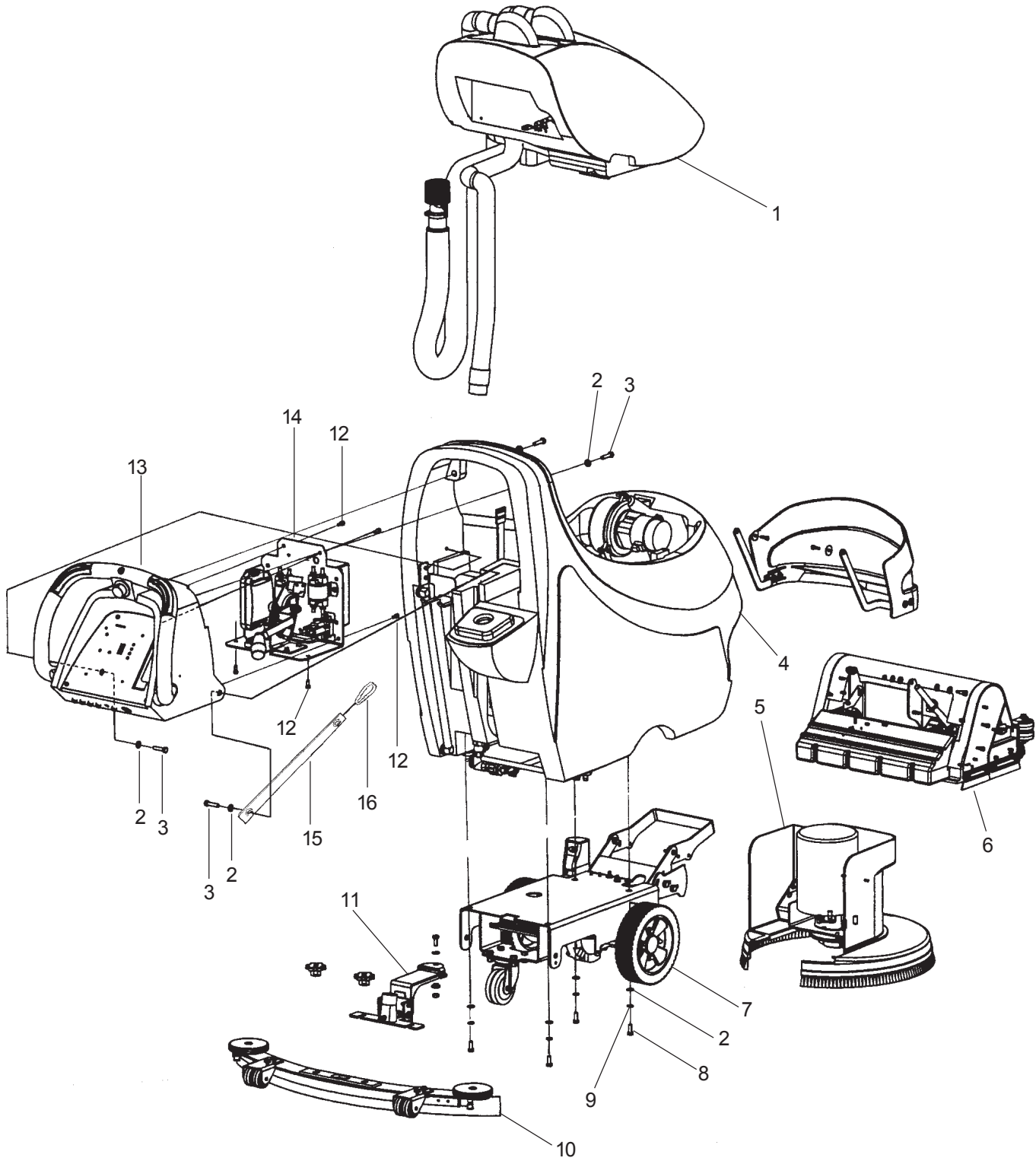
HOW TO CORRECT PROBLEMS IN THE MACHINE

PROBLEM	CAUSE	ACTION
There is no solution flow.	<p>The solution tank is empty.</p> <p>The solution valve is closed.</p> <p>There is an obstruction in the solution hose or filter.</p> <p>The solution valve or electric wiring is damaged.</p> <p>The control module is defective.</p>	<p>Fill the solution tank.</p> <p>Open the solution valve.</p> <p>Remove the obstruction from the hose or filter.</p> <p>Repair or replace the valve or the electric wiring.</p> <p>Replace control module</p>
The solution flow does not stop.	<p>The solution valve is open.</p> <p>The solution valve or wiring is damaged.</p> <p>The solution valve is dirty</p> <p>There is a damaged seat and washer in the solution valve.</p> <p>The control module is defective.</p>	<p>Close or Clean the solution valve.</p> <p>Repair or replace the valve and the wiring.</p> <p>Clean the solution valve.</p> <p>Replace the seat and washer.</p> <p>Replace control module.</p>
The machine does not remove all the water from the floor.	<p>The squeegee is up.</p> <p>The squeegee tilt is not correct.</p> <p>The recovery tank is full.</p> <p>The screen filter is dirty.</p> <p>There is an obstruction or damage in the squeegee or squeegee hose.</p> <p>The vacuum motor is not running.</p> <p>The squeegee hose is disconnected, or damaged</p> <p>The squeegee blade is damaged, worn, or incorrectly installed.</p> <p>The gaskets on the cover of the recovery tank are damaged.</p>	<p>Lower the squeegee.</p> <p>To adjust, see the section titled "How to Adjust the Squeegee".</p> <p>Drain the recovery tank.</p> <p>Clean the screen filter.</p> <p>Remove the obstruction or repair the damage.</p> <p>Check for tripped breaker. Have an authorized service person make repairs.</p> <p>Check and connect hose.</p> <p>Turn or replace the squeegee blade. Correctly install the squeegee blade.</p> <p>Replace the gaskets.</p>
The batteries do not give the normal running time.	<p>The battery terminals are dirty or damaged.</p> <p>The electrolyte level is too low.</p> <p>The batteries are not fully charged.</p> <p>The charger is damaged.</p> <p>The battery is defective.</p> <p>The batteries are disconnected.</p> <p>Brush is in heavy scrub setting.</p>	<p>Clean the terminals and connectors. Replace the damaged cables. Charge the batteries.</p> <p>Add distilled water to each cell and charge the batteries.</p> <p>Charge the batteries for a full 16 hour charge.</p> <p>Have an authorized service person repair the charger.</p> <p>Check voltage of each cell while discharging.</p> <p>Connect the batteries.</p> <p>Adjust Pressure.</p>

PROBLEM	CAUSE	ACTION
<p>The cleaning is not even.</p>	<p>The scrub brush or pad is worn.</p> <p>There is damage to the brush assembly, caster or the solution valve.</p> <p>The brush motor is not running</p> <p>The solution level is low.</p>	<p>Replace the scrub brush or pad.</p> <p>Have an authorized service person make the needed repairs.</p> <p>Check for tripped breaker. Reset. Check for loose connections.</p> <p>Fill the solution tank.</p> <p>NOTE: If the problem continues consult an authorized service person.</p>
<p>The machine does not run.</p>	<p>The machine loses power.</p> <p>Key or switch is off.</p> <p>Batteries are disconnected. Battery terminals are dirty.</p> <p>Batteries are discharged</p>	<p>Reset the circuit breaker.</p> <p>Turn key or switch on.</p> <p>Check the battery connections.</p> <p>Check battery meter and recharge</p> <p>NOTE: If the problem continues consult an authorized service person.</p>

IVIE Enterprises – Website: www.ivie-ent.com - Order Parts Online

Clarke®
Encore S17/L17 & S17/L17 Cylindrical
Final Assembly 11/02



IVIE Enterprises – Website: www.ivie-ent.com - Order Parts Online

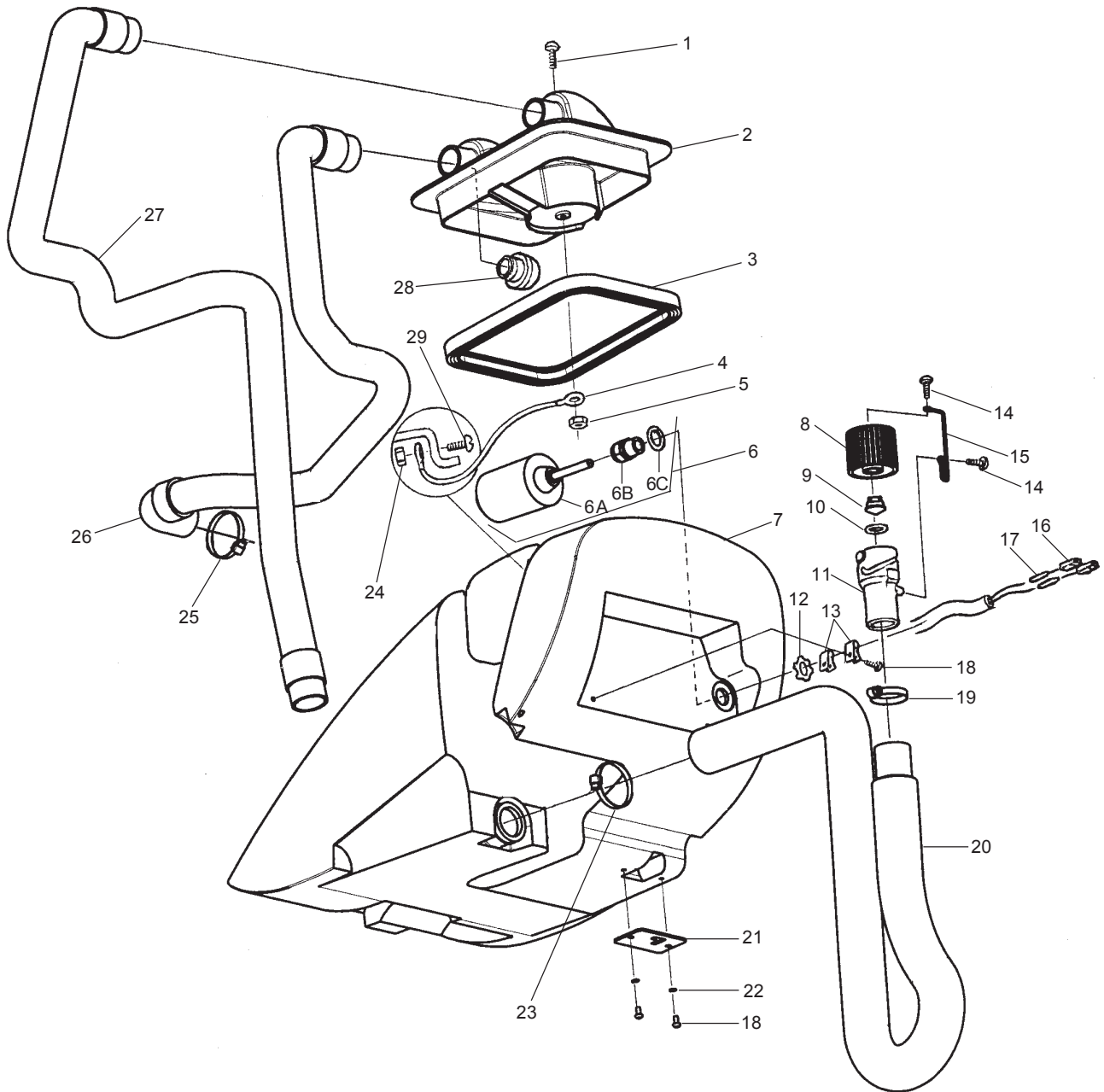
Clarke®
Encore S17/L17 & S17/L17 Cylindrical
Final Assembly Parts List 11/02

Ref. #	Part No.	Description	Qty
1	Page 32	Recovery Tank Assembly	1
2	980651	Washer, Flat 5/16"	8
3	80212A	Screw, M8 x 1.25 x 35mm Hex Head	4
4	Page 34	Solution Tank Assembly	1
5	Page 48	Rotary Disk Head Assembly Option	1
6	Page 46	Cylindrical Head Assembly Option	1
7	Page 44	Frame Assembly	1
8	80197A	Screw, M8 x 1.25 x 20mm Hex Head	4
9	980652	Washer, Lock 5/16"	4
10	Page 42	Squeegee Assembly	1
11	Page 40	Squeegee Lift Assembly	1
12	80179A	Screw, M6 x 1 x 15mm Pan Head	6
13	Page 38	Control Housing Assembly	1
14	Page 36	Electrical Assembly	1
15	30334A	Tether	1
16	52570A	Clip, Tether	1
NI	40606A	Battery, 130AH, 12V Wet Option	2
NI	40605A	Battery, 130AH, 12V Dry Option	2
NI	40070A	Battery, 100AH, 12V Gel Option	2
NI	41206A	Battery Cable (Taper Style)	1
NI	41217A	Battery Cable (Ring Style) (use w/gel batteries)	1
NI	61337A	Battery Cable Adapter (use w/gel batteries)	2

NI = Not Illustrated

IVIE Enterprises – Website: www.ivie-ent.com - Order Parts Online

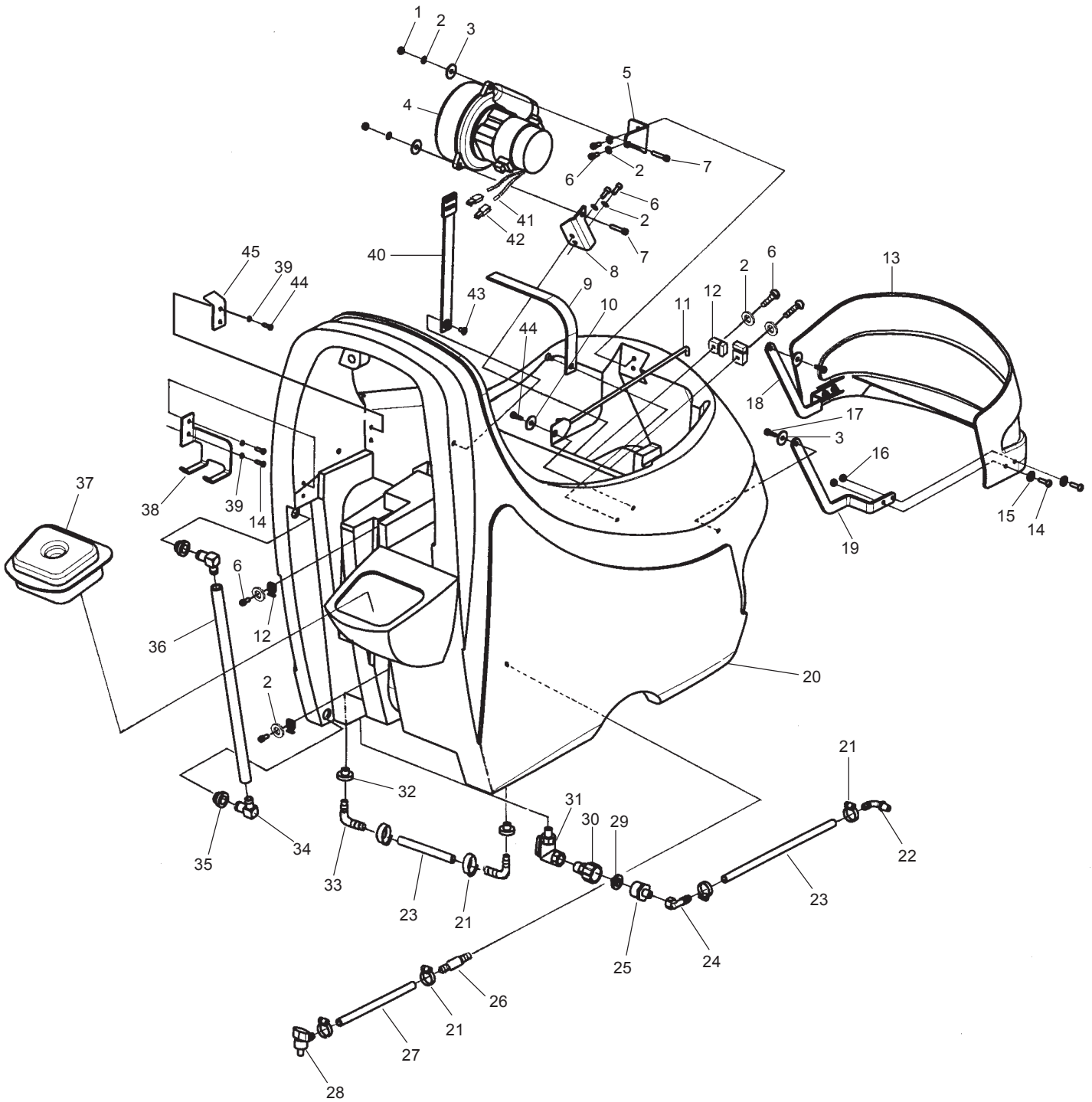
Clarke®
Encore S17/L17 & S17/L17 Cylindrical
Recovery Tank Assembly 11/02



Clarke®
Encore S17/L17 & S17/L17 Cylindrical
Recovery Tank Parts List 11/02

Ref. #	Part No.	Description	Qty
1	80176A	Screw, M5 x .8 x 12mm Pan Head	1
2	30207A	Recovery Lid	1
3	30065A	Lid Gasket	1
4	692409	Chain	1
5	80196A	Nut, M5 x .8 Hex	1
6	10660A	Float Switch Kit (includes 6A, 6B, 6C)	1
6A	40002A	Float Switch (included in #6)	1
6B	56459B	Strain Relief (included in #6)	1
6C	59877A	Washer, Seal (included in #6)	1
7	30218A	Recovery Tank	1
8	30227A	Drain Housing	1
9	30226A	Drain Plug	1
10	52560A	O-Ring	1
11	30225A	Drain Body	1
12	82100A	Locknut, 1/2" Conduit	1
13	872102	Nylon Clip, 5/16 OD	2
14	962957	Screw, #10-16 x 1/2	2
15	52206A	Chain	1
16	43402A	Housing, Connector (included in 6A)	2
17	41809A	Contact (included in 6A)	2
18	80193A	Screw, M5 x .8 x 10mm Pan Head	4
19	832002	Drain Valve Clamp	1
20	30236A	Drain Hose	1
21	61459A	Latch Plate	1
22	980603	Washer, LK #10 Ext Tooth	2
23	80110A	Hose Clamp	1
24	920296	Nut, 10-24	1
25	752020	Clamp	1
26	30238A	Vacuum Hose	1
27	30237A	Squeegee Hose	1
28	61451A	Vacuum Screen	1
29	962666	Screw, 10-24 x 3/4 Pan Head	1
NI	77093A	Label, Falling Parts	1

Clarke®
Encore S17/L17 & S17/L17 Cylindrical
Solution Tank & Front Cover Assembly 11/02



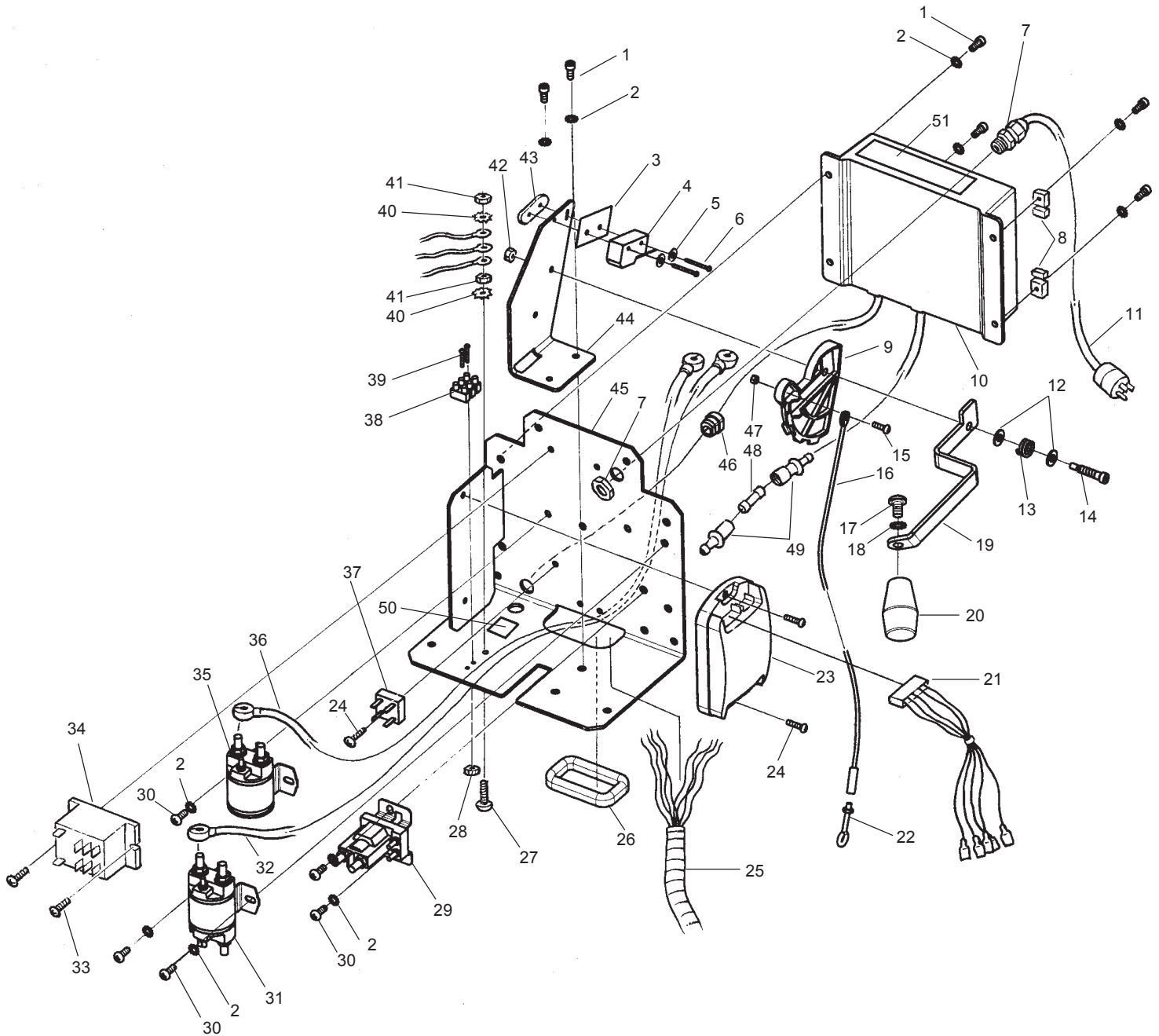
Clarke®
Encore S17/L17 & S17/L17 Cylindrical
Solution Tank & Front Cover Parts List 11/02

Ref. #	Part No.	Description	Qty
1	80199A	Nut, M6 x 1 Hex Nylock	2
2	980614	Lock Washer, 1/4" Ext. Tooth	10
3	87026A	Flat Washer, 1/4"	4
4	40618A	Vacuum Motor	1
5	61297A	Front Motor Mount	1
6	80179A	Screw, M6 x 1 x 15mm, Pan Head	8
7	80180A	Screw, M6 x 1 x 30mm, Pan Head	2
8	61298A	Rear Motor Mount	8
9	52551A	Battery Strap	1
10	80216A	Shoulder Washer, Nylon	1
11	61458A	Prop Rod	1
12	52548A	Screw Tab	4
13	30221A	Front Cover	1
14	80202A	Screw, M5 x .8 x 15mm, Pan Head	6
15	87036A	Flat Washer, #10	4
16	80196A	Nut, M5 x .8 Hex Nylock	4
17	80209A	Shoulder Bolt, M5 x 6 x 8mm	2
18	61457A	Left Front Cover Bracket	1
19	61456A	Right Front Cover Bracket	1
20	30219A	Solution Tank	1
21	50248A	Hose Clamp	6
22	53607A	Elbow, 1/4 NPT x 3/8	1
23	30172A	Hose	2
24	53617A	Elbow, 1/4 FPT x 3/8	1
25	30131A	Hose Adapter	1
26	820207	Adapter	1
27	30453A	Hose	1
28	59614A	Battery Drain Valve	1
29	838517	Screen-Hose Washer	1
30	51205A	Adpater, Female	1
31	51204A	Solution Valve	1
32	51518A	Bushing	2
33	51526A	Hosebarb, 3.8 x 90°	2
34	55189A	Hosebarb, 1/2 x 90°	2
35	31242A	Bushing	2
36	30239A	Level, Drain Hose	1
37	30222A	Solution Lid	1
38	61280A	Drain Hose Hanger	1
39	980603	Lock Washer, #10 Ext. Tooth	4
40	52552A	Battery Stap, w/Buckle	1
41	41809A	Contact, Connector	2
42	43401A	Housing, Connector	2
43	80210A	Screw, M6 x 1 x 10mm, Flat Head	2
44	80176A	Screw, M5 x .8 x 12mm, Pan Head	3
45	61345A	Hinge Brakcet	1
NI	70668A	Label, Encore (Front Cover)	1

NI = Not Illustrated

IVIE Enterprises – Website: www.ivie-ent.com - Order Parts Online

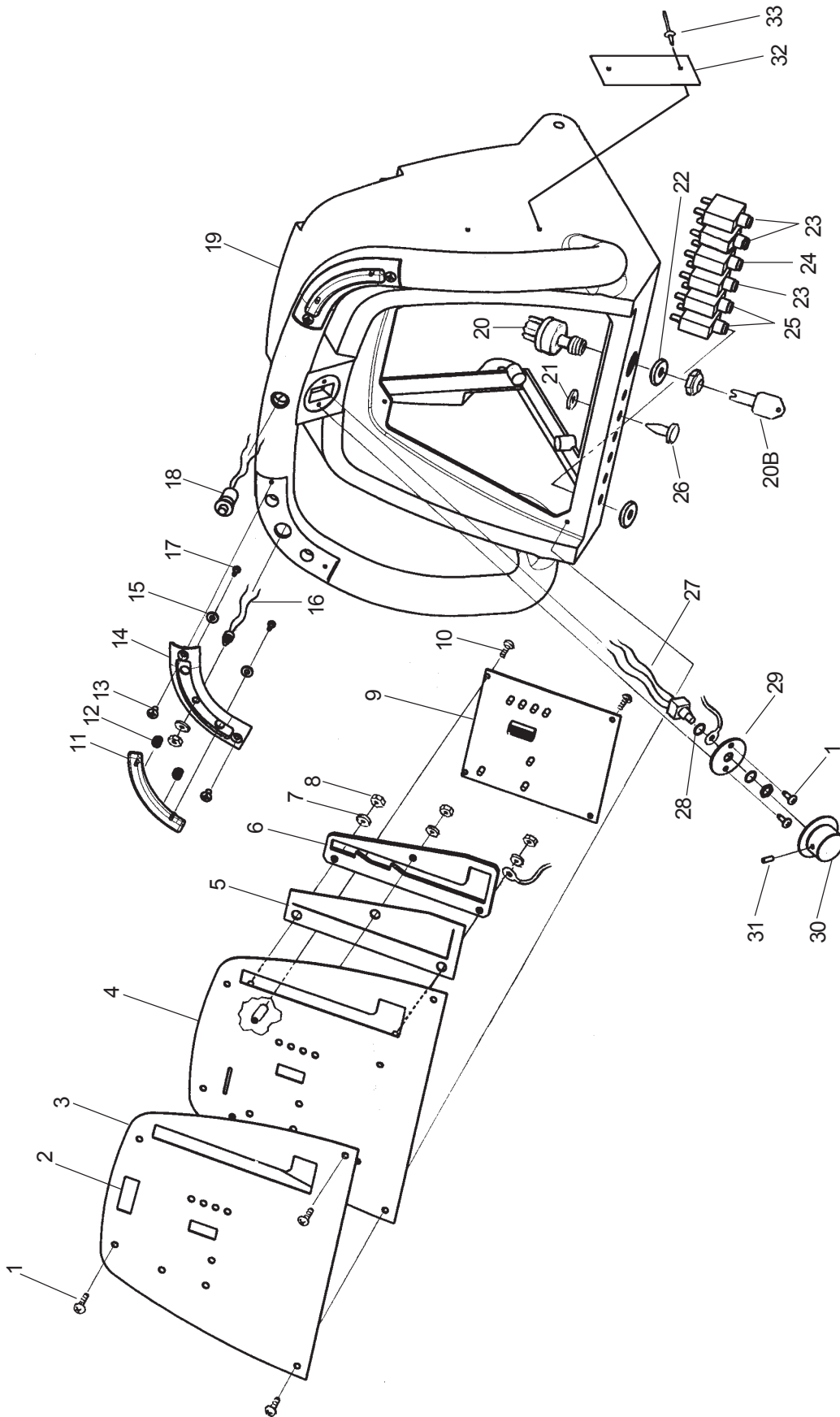
Clarke®
Encore S17/L17 & S17/L17 Cylindrical
Electrical Assembly 11/02



Clarke®
Encore S17/L17 & S17/L17 Cylindrical
Electrical Parts List 11/02

Ref. #	Part No.	Description	Qty S17	Qty L17
1	80179A	Screw, M6 x 1 x 15mm, Pan Head	6	6
2	980614	Washer, Lock 1/4" Ext. Tooth	12	12
3	30097A	Insulator	1	1
4	40635A	Squeegee Switch	1	1
5	980607	Washer, Lock #6 Ext. Tooth	2	2
6	962980	Screw, 6-32 x 1, Pan Head	2	2
7	30287A	Strain Relief	1	1
8	52548A	Screw Tab	2	2
9	30175A	Squeegee Cam	1	1
10	40614A	Battery Charger, 115V, 50/60 Hz	1	1
	40615A	Battery Charger, 230V, 50/60 Hz	1	1
11	40611A	Cord, Power Supply 115V	1	1
	40609A	Cord, Power Supply 230V, European	1	1
12	980692	Washer, Flat 5/16" SS	2	2
13	438360	Squeegee Lift Spring	1	1
14	80178A	Shoulder Bolt, M6 x 8 x30mm	1	1
15	80202A	Screw, M5 x .8 x 15mm, Pan Head	1	1
16	60975A	Squeegee Cable	1	1
17	85389A	Screw, 3/8-16 x 5/8	1	1
18	980666	Washer, 3/8" Ext. Tooth	1	1
19	60976A	Squeegee Lever	1	1
20	52557A	Squeegee Knob	1	1
21	40631A	Traverse Harness	-	1
22	80186A	Eyebolt, #10-24	1	1
23	40592A	Traverse Controller	-	1
24	80221A	Screw, M4 x .7 x 20mm, Pan Head	3	3
25	40630A	Main Harness, Traverse	-	1
	40629A	Main Harness, Non-Traverse	1	-
26	193951	Grommet, 8.5"	1	1
27	80205A	Screw, M5 x .8 x 20mm, Pan Head	1	1
28	80204A	Nut, M3 x .5, Nylock	2	2
29	40169A	Solenoid, Vacuum	1	1
30	80208A	Screw, M6 x 1 x 10mm, Pan Head	6	6
31	41811A	Contactor, Main	1	1
32	40612A	Red Battery Cable	1	1
33	80222A	Screw, M4 x .7 x 10mm, Pan Head	2	2
34	40633A	Relay, DPDT, 115V	1	1
	40634A	Relay, DPDT, 230V	1	1
35	41810A	Contactor, Brush	1	1
36	40613A	Black Battery Cable	1	1
37	46106A	Rectifier	1	1
38	40626A	Terminal Block	1	1
39	80206A	Screw, M3 x .5 x 20mm, Pan Head	2	2
40	980603	Washer, Lock #10 Ext. Tooth	2	2
41	80169A	Nut, M5 x .8 Hex	2	2
42	80199A	Nut, M6 x 1, Nylock	1	1
43	60265A	Nut Plate	1	1
44	60977A	Squeegee Lift Mount	1	1
45	61084A	Electrical Panel, Traverse	-	1
	61332A	Electrical Panel, Non-Traverse	1	-
46	52562A	Strain Relief Bushing	1	1
47	80196A	Nut, M5 x .8 Nylock	1	1
48	912216	Fuse, 15A	1	1
49	43006A	Fuse Holder	1	1
50	77094A	Label, Ground	1	1
51	77092A	Label, Gases & Chemicals	1	1

Clarke®
Encore S17/L17 & S17/L17 Cylindrical
Control Housing Assembly 12/02

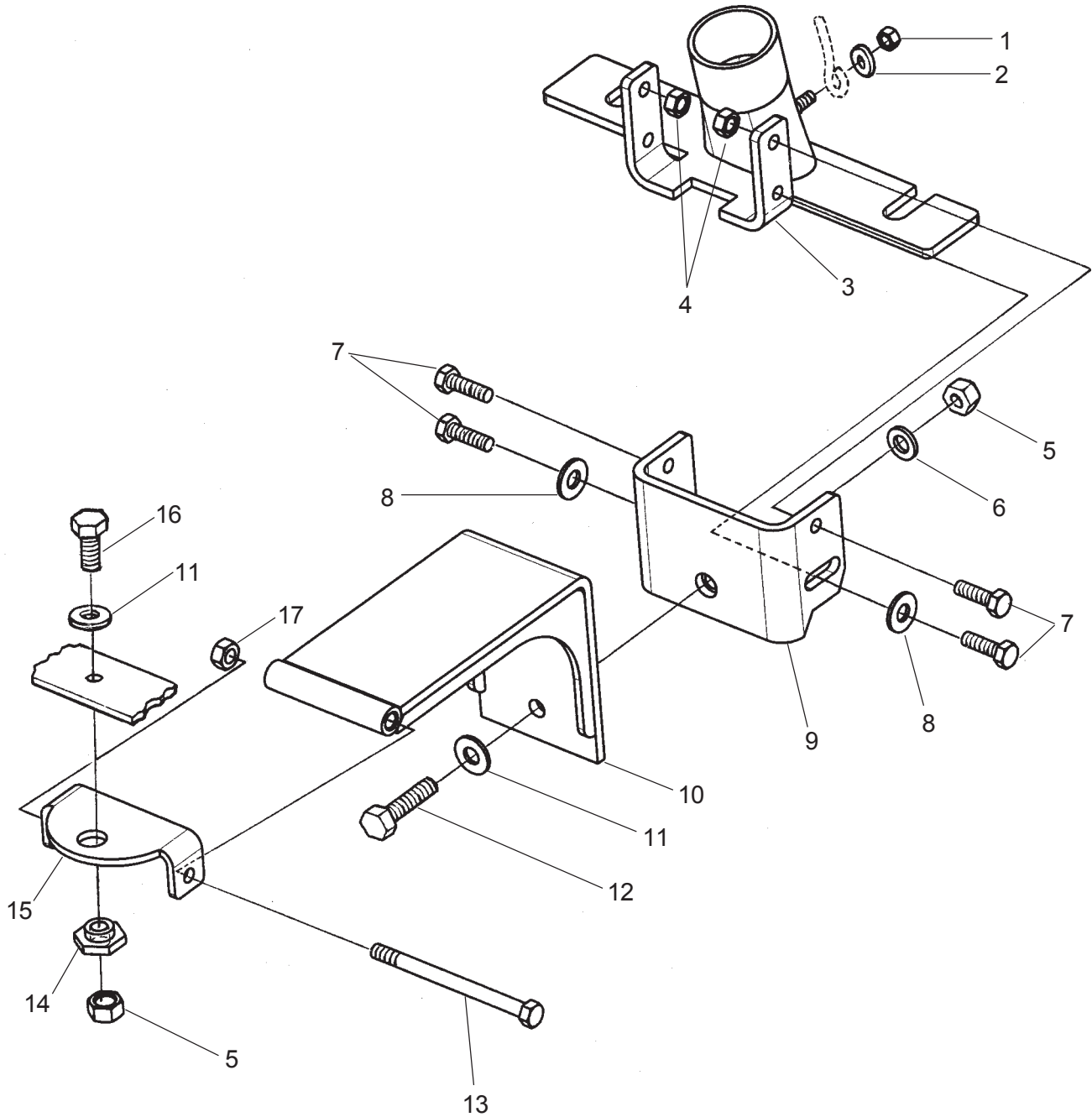


Clarke®
Encore S17/L17 & S17/L17 Cylindrical
Control Housing Parts List 12/02

Ref. #	Part No.	Description	Qty S17	Qty L17	Qty S17 Cyl	Qty L17 Cyl
1	962957	Screw, 10-16 x 1/2"	6	6	6	6
2	70443A	Label, S Class	1	-	-	-
	70441A	Label, L Class	-	1	-	-
	70444A	Label, S Cylindrical	-	-	1	-
	70442A	Label, L Cylindrical	-	-	-	1
3	70352A	Membrane Switch	1	1	1	1
4	60979A	Control Panel	1	1	1	1
5	52555A	Lever Gasket	1	1	1	1
6	60978A	Wear Plate	1	1	1	1
7	87036A	Washer, Flat #10	3	3	3	3
8	80196A	Nut, M5 x .8, Nylock	3	3	3	3
9	40597A	Panel Circuit Board	1	1	1	1
10	962330	Screw, 6-32 x 3/8" Pan Head	4	4	4	4
11	30214A	Switch Lever	2	2	2	2
12	50961A	Spring, Switch	4	4	4	4
13	80192A	Screw, M5 x .8 x 16mm, Oval Head	4	4	4	4
14	30213A	Switch Housing	2	2	2	2
15◆	87036A	Washer, Flat #10	4	4	4	4
16	40126A	Switch Assembly	2	2	2	2
17	80191A	Screw, M3.5 x 6 x 10mm, Pan Head	4	4	4	4
18	52556A	Reverse Switch	-	1	-	1
19	30220A	Control Handle, Traverse	-	1	-	1
	30228A	Control Handle, Non-Traverse	1	-	1	-
20	47380A	Key Switch	-	1	-	1
20B	55413A	Key, Spare	-	1	-	1
21	80230A	Washer, Nylon	1	1	-	-
22	87052A	Washer, Key Switch	-	-	1	1
23	41422A	Circuit Breaker, 25A	1	2	2	3
24	41433A	Circuit Breaker, 40A	1	1	-	-
	41422A	Circuit Breaker, 25A	-	-	1	1
25	41423A	Circuit Breaker, 5A	2	2	2	2
26	80229A	Arrow Clip, Nylon	1	1	-	-
27	40135A	Potentiometer Harness	-	1	-	1
28	980666	Washer, Lock 3/8"	-	1	-	1
29	60259A	Potentiometer Retainer	-	1	-	1
30	50962A	Control Knob	-	1	-	1
31	962262	Screw, Set 8-32 x 1/2" (included in #30)	-	1	-	1
32	70080A	Plate, Warning	1	1	1	1
33	83010A	Rivet, Pop	2	2	2	2

NOTE: ◆ indicates a change has been made since the last publication of this manual.

Clarke®
Encore S17/L17 & S17/L17 Cylindrical
Squeegee Lift Assembly 11/02

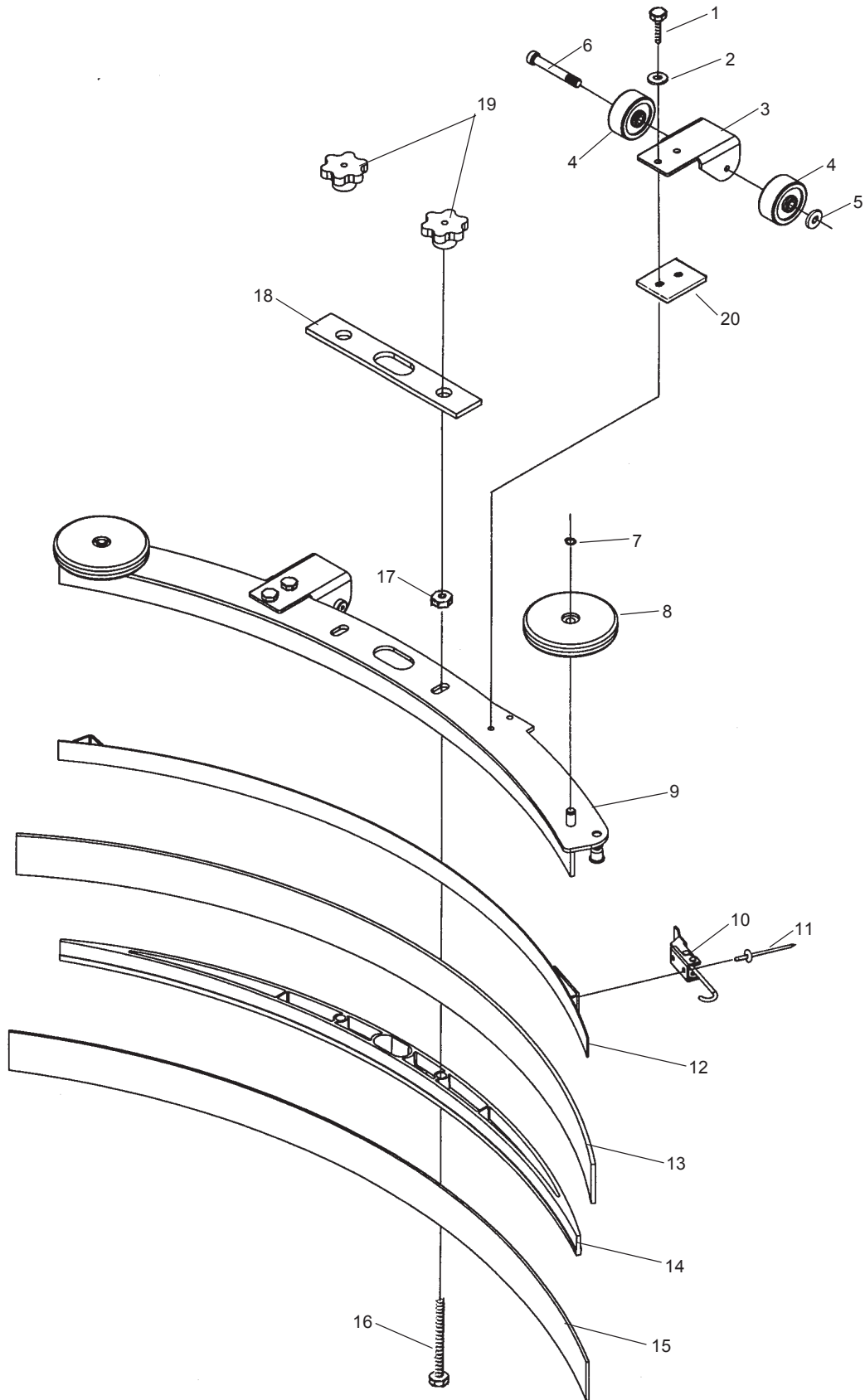


Clarke®
Encore S17/L17 & S17/L17 Cylindrical
Squeegee Lift Parts List 11/02

Ref. #	Part No.	Description	Qty
1	80196A	Nut, M5 x .8, Nylock	1
2	87036A	Washer, Flat #10	1
3	61305A	Tube Bracket	1
4	80199A	Nut, M6 x 1, Nylock	2
5	80198A	Nut, M8 x 1.25, Nylock	2
6	980652	Washer, Lock 5/16"	1
7	80195A	Screw, M6 x 1 x 20mm, Hex Head	4
8	87026A	Washer, Flat 1/4"	2
9	61292A	Pin Bracket	1
10	61296A	Squeegee Arm	1
11	980651	Washer, Flat 5/16"	2
12	80194A	Screw, M8 x 1.25 x 30mm, Hex Head	1
13	80101A	Screw, 1/4-20 x 3 1/4"	1
14	61461A	Squeegee Swivel Spacer	1
15	60256A	Pivot Bracket	1
16	80197A	Screw, M8 x 1.25 x 20mm, Hex Head	1
17	81104A	Nut, 1/4-20 Nylock	1

IVIE Enterprises – Website: www.ivie-ent.com - Order Parts Online

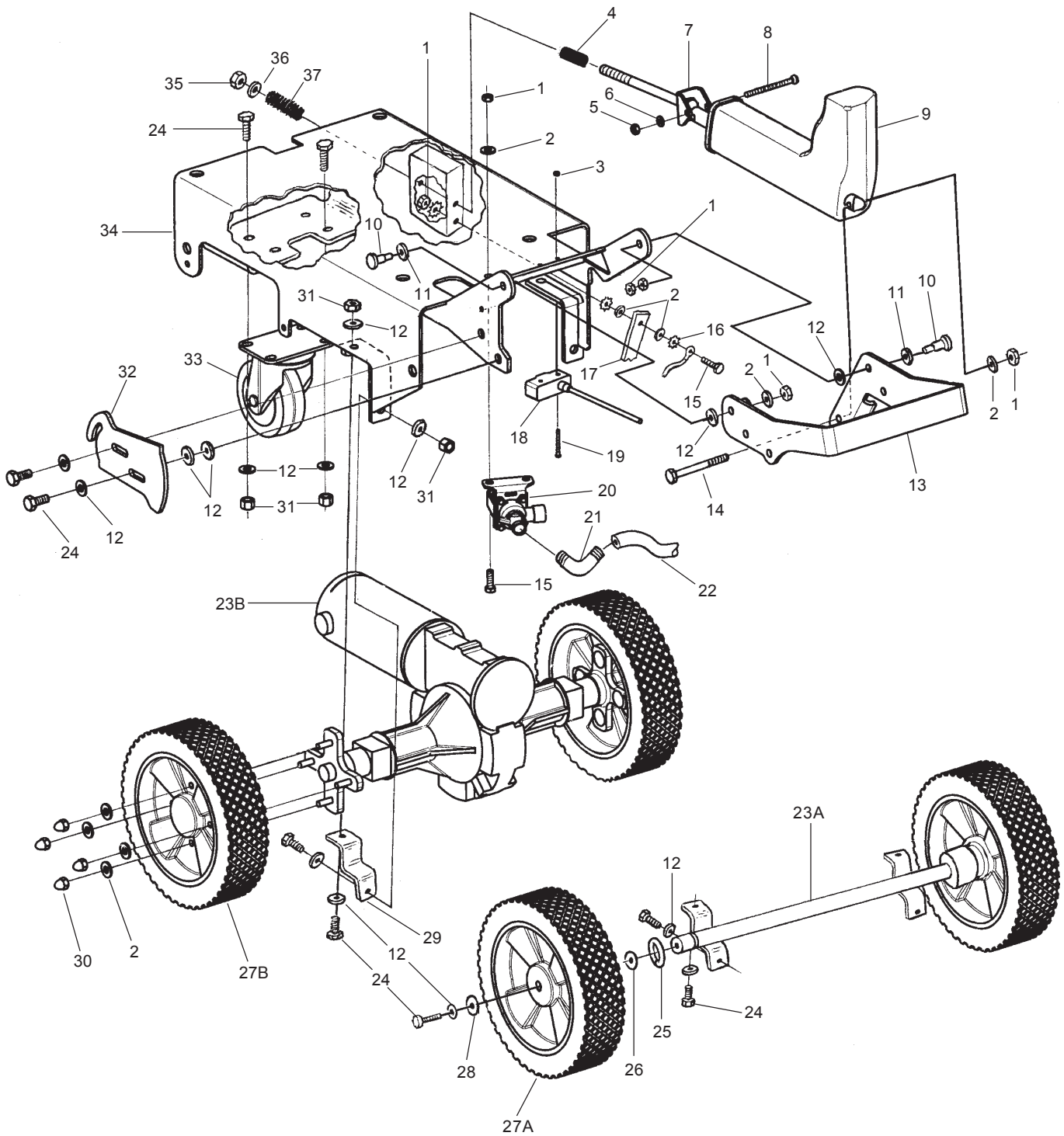
Clarke®
Encore S17/L17 & S17/L17 Cylindrical
32" Squeegee Assembly 11/02



Clarke®
Encore S17/L17 & S17/L17 Cylindrical
32" Squeegee Parts List 11/02

Ref. #	Part No.	Description	Qty
1	962720	Screw, 1/4-20 x 1/2 Hex SS	4
2	980657	Washer, 1/4 Lock	4
3	60243A	Bracket, Squeegee Wheel	2
4	30049B	Wheel, Squeegee	4
5	81104A	Nut, 1/4-20	2
6	60254A	Bolt, Shoulder 5/16x 2 1/4	2
7	50958A	Ring, 3/8 ID Snap	2
8	30048A	Wheel, Guide, 4 Inch Diameter	2
9	60234A	Channel, Squeegee Weldment 32"	1
10	50835A	Latch, Squeegee Clamp	1
11	930086	Rivet, 3/16 x .450 Aluminum	2
12	60232A	Strap, Clamp, Squeegee Retainer 32	1
13	30067A	Blade, Rear, Gum Rubber, 32"	1
14	30047A	Spacer, Squeegee 32	1
15	30066A	Blade, Front Ribbed 32"	1
16	80011A	Screw, 3/8-16 x 3	2
17	81301A	Nut, 3/8-16 Jam SS	2
18	34260B	Gasket	1
19	25201A	Knob	2
20	60358A	Shim, Squeegee Wheel	2

Clarke®
Encore S17/L17 & S17/L17 Cylindrical
Frame Assembly 12/02



IVIE Enterprises – Website: www.ivie-ent.com - Order Parts Online

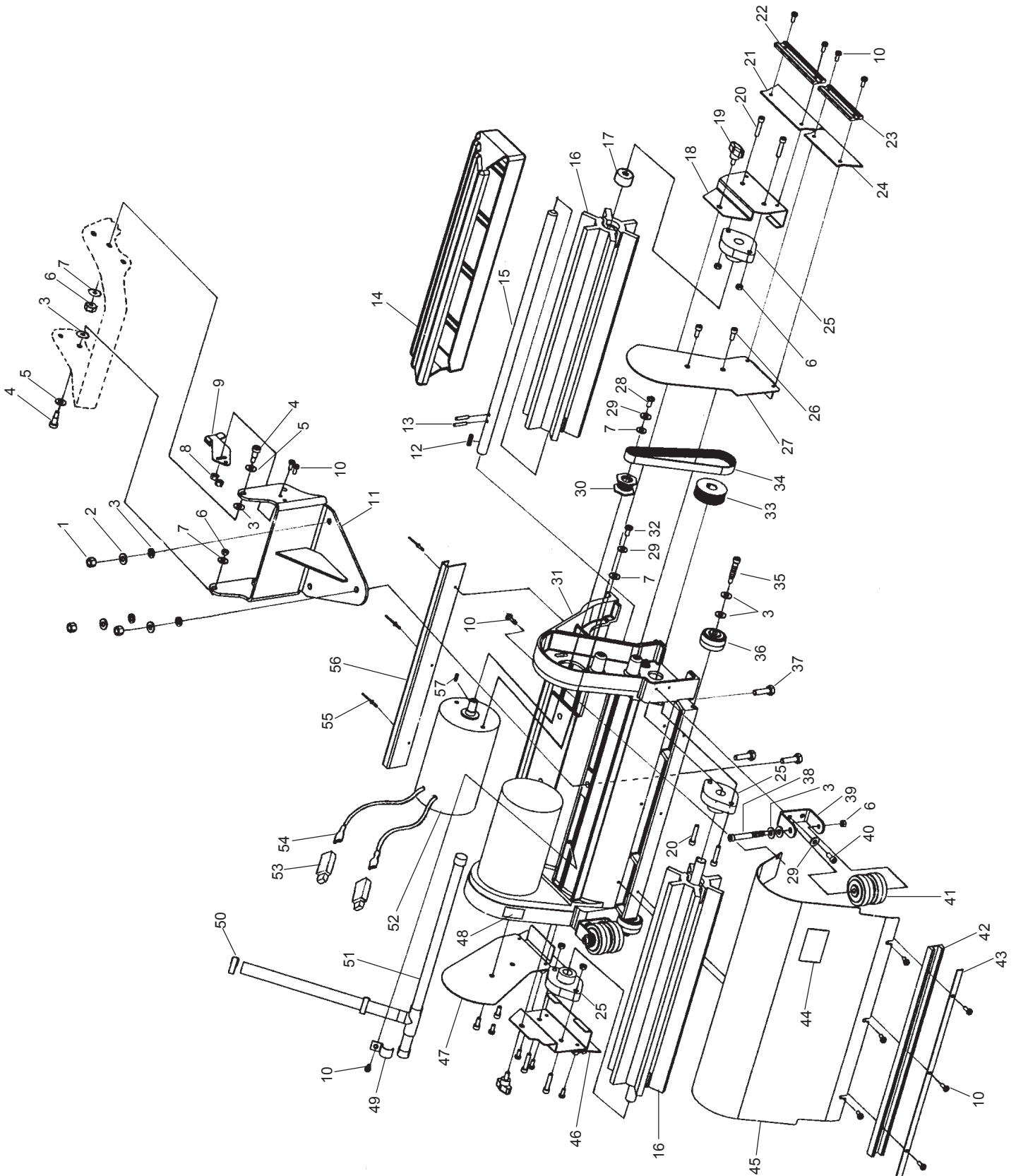
Clarke®
Encore S17/L17 & S17/L17 Cylindrical
Frame Parts List 12/02

Ref. #	Part No.	Description	Qty S17	Qty L17	Qty S17 Cyl	Qty L17 Cyl
1	80199A	Nut, M6 x 1, Nylock	5	6	5	6
2	87026A	Washer, Flat 1/4" SS	5	15	5	15
3	80204A	Nut, M3 x .5 Nylock	2	2	2	2
4◆	80225A	Spring, Front (1.25" long)	1	1	1	1
5	80196A	Nut, M5 x .8 Nylock	1	1	1	1
6	980643	Washer, Flat #10	1	1	1	1
7	61077A	Rear Actuator Bracket	1	1	1	1
8	80164A	Shoulder Bolt, M5 x 6 x 20mm	1	1	1	1
9	61075A	Actuator	1	1	1	1
10	80165A	Shoulder Bolt, M6 x 8 x 12mm	2	2	2	2
11	980651	Washer, Flat 5/16"	2	2	2	2
12	980692	Washer, Flat 5/16" SS	20	18	20	18
13	61074A	Lift Bracket	1	1	1	1
14	80173A	Bolt, M6 x 1 x 65mm Hex Head	1	1	1	1
15	80195A	Screw, M6 x 1 x 20mm Hex Head	2	3	2	3
16	980614	Washer, Lock 1/4" Ext Tooth	-	3	-	3
17	61302A	Static Strap	-	1	-	1
18	47422B	Switch, Wisker	1	1	1	1
19	80203A	Screw, M3- x 5 x 30mm Pan Head	2	2	2	2
20	59610A	Solution Valve	1	1	1	1
21	51526A	Hosebarb, 3/8 x 90°	1	1	-	-
	52635A	Hosebarb, 3/8 x 90°	-	-	1	1
22	30311A	Hose	1	1	-	-
23A	61455A	Axle, Non-Traverse	1	-	1	-
23B	61076A	Transaxle	-	1	-	1
24	80197A	Screw, M8 x 1.25 x 20mm Hex Head	12	10	12	10
25	57423A	Snap Ring	2	-	2	-
26◆	87616A	Washer, Nylon	4	-	4	-
27A	61436A	Wheel, Non-Traverse	2	-	2	-
27B	61437A	Wheel, Traverse	-	2	-	2
28	980205	Washer, 5/16" Fender	2	-	2	-
29	60289A	Transaxle Clamp	-	2	-	2
30	80188A	Nut, 1/4" High Crown Acorn	-	8	-	8
31	80198A	Nut, M8 x 1.25 Nylock	8	8	8	8
32	61079A	Head Bracket	1	1	1	1
33	61460A	Caster Assembly	1	1	1	1
34	61073A	Main Frame	1	1	1	1
35	80223A	Nut, M10 x 1.5 Nylock	1	1	1	1
36	980645	Washer, Flat 3/8"	1	1	1	1
37◆	80226A	Spring, Rear (2" long)	1	1	1	1

NOTE: ◆ indicates a change has been made since the last publication of this manual.

IVIE Enterprises – Website: www.ivie-ent.com - Order Parts Online

Clarke®
Encore S17/L17 Cylindrical
Cylindrical Head Assembly 11/02

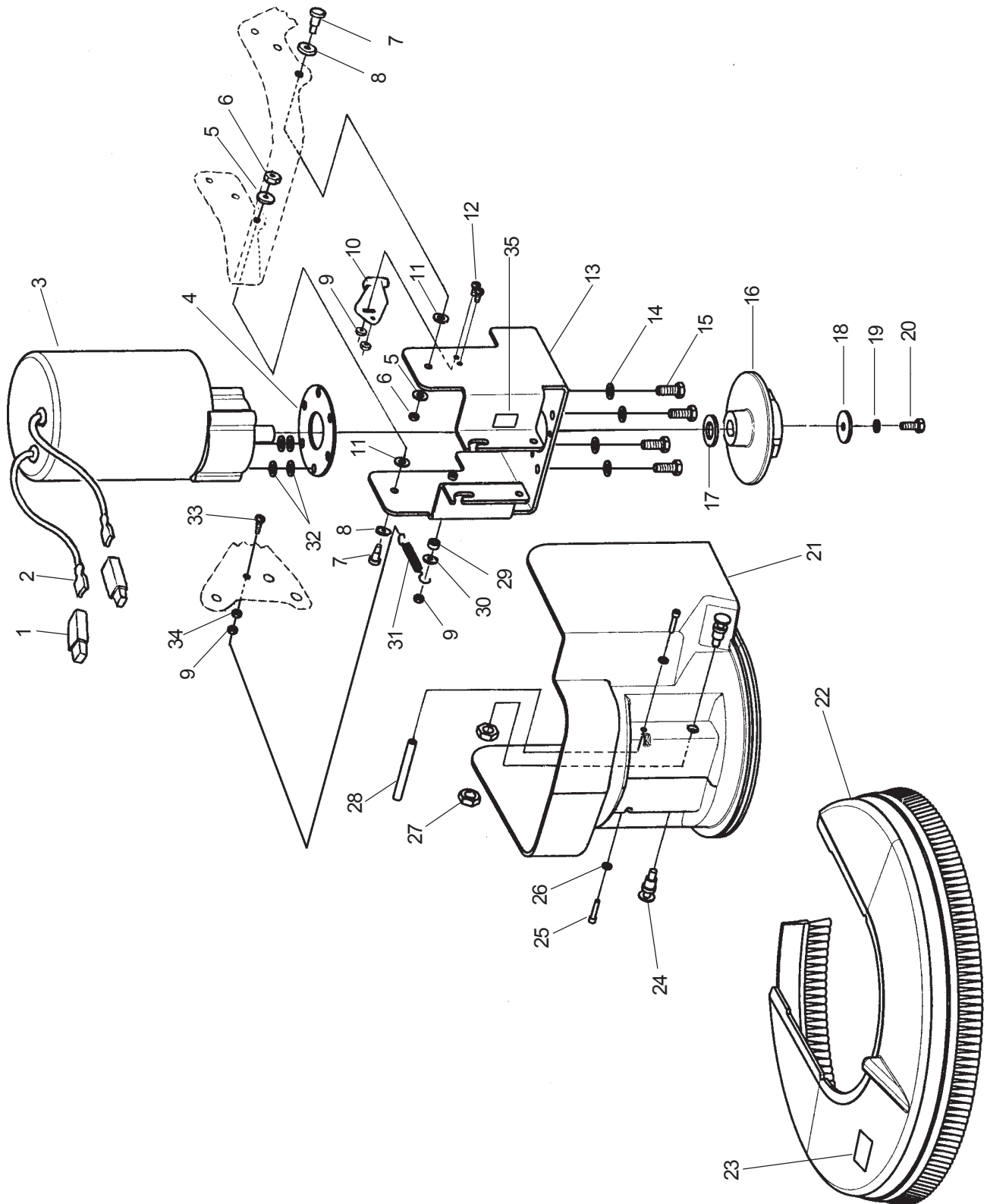


IVIE Enterprises – Website: www.ivie-ent.com - Order Parts Online

Clarke®
Encore S17/L17 Cylindrical
Cylindrical Head Parts List 11/02

Ref. #	Part No.	Description	Qty
1	80198A	Nut, M8 x 1.25 Nylock	3
2	980652	Washer, 5/16" Lock	3
3	980692	Washer, 5/16" Flat SS	13
4	80165A	Shoulder Bolt, M6 x 8 x 12mm	2
5	980651	Washer, 5/16" Flat	2
6	80199A	Nut, M6 x 1 Nylock	8
7	87026A	Washer, 1/4" Flat SS	8
8	80196A	Nut, M5 x .8 Nylock	2
9	61306A	Switch Bracket	1
10	80176A	Screw, M5 x . 8 x 12mm Pan Hd	19
11	61080A	Head Bracket	1
12	915082	Key, 3/16" Sq. X 3/4"	2
13	50436A	Drive Pin	4
14	30230A	Debris Tray	1
15	61286A	Brush Shaft	2
16	ref.	See accessories page, cyl. brush	2
17	61398A	Brush Spacer	2
18	61449A	Door, L.H. Brush	1
19	52477A	Clamping Knob	2
20	80180A	Screw, M6 x 1 x 30mm Pan Hd	8
21	30212A	Skirt, Brush Door	2
22	30209A	Bumper, Brush Door	2
23	30208A	Bumper, Belt Cover	2
24	30211A	Skirt, Belt Cover	2
25	902713	Flange Bearing	4
26	80179A	Screw, M6 x 1 x 15mm Pan Hd	4
27	61282A	Cover L.H. Belt	1
28	80214A	Screw, M6 x 1 x 12 Hex Head	2
29	980657	Washer, 1/4" Lock	10
30	61396A	Motor Pulley	2
31	21058A	Brush Housing	1
32	57994A	Screw, M6 x 20mm, Hex Head	4
33	61397A	Brush Pulley	2
34	52818A	Drive Belt	2
35	80178A	Shoulder Bolt, M6 x 8 x 30mm	2
36	59932A	Front Wheel	2
37	80187A	Bolt, M8 x 1.25 x 30mm Hex Hd.	3
38	80177A	Shoulder Bolt, M6 x 8 x 60mm	2
39	61448A	Roller Bracket	2
40	80208A	Screw, M6 x 1 x 10mm Pan Hd	4
41	30049B	Wheel, 1 x 2 x 5/16	4
42	30235A	Bumper, Housing	1
43	61287A	Bumper Retainer	1
44	70465A	Label, 17	1
45	61285A	Motor Cover	1
46	61283A	Door, R.H. Brush	1
47	61450A	Cover, R.H. Belt	1
48	77091A	Label, Moving Parts	2
49	782002	Clamp, Solution Tube	1
50	50248A	Clamp, 3/8 Hose	2
51	10387A	Solution Tube Assembly	1
52	61430A	Motor	2
53	41602A	Housing, Connector	4
54	41601A	Contact, Connector	4
55	930113	Rivet, 1/8"	3
56	61288A	Tray Rail	1
57	80158A	Key, 1/8" Sq. x 1/2"	2

Clarke®
Encore S17/L17
Rotary Disk Head Assembly 12/02



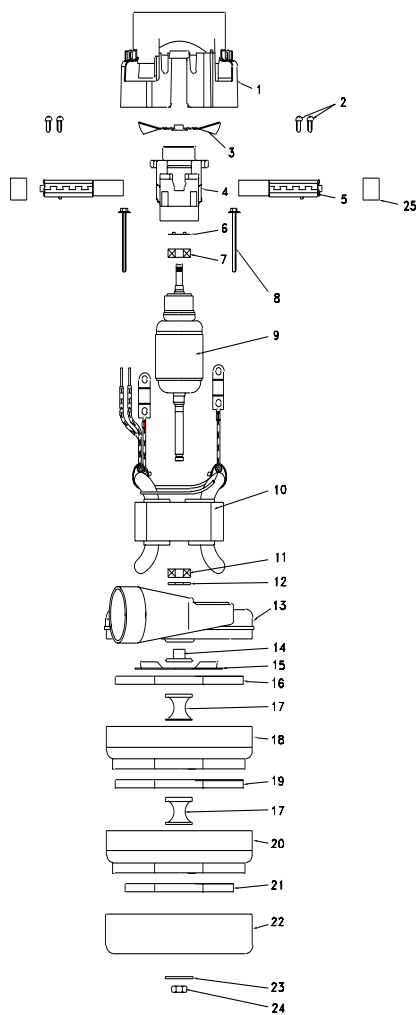
IVIE Enterprises – Website: www.ivie-ent.com - Order Parts Online

Clarke®
Encore S17/L17
Rotary Disk Head Parts List 12/02

Ref. #	Part No.	Description	Qty S17	Qty L17
1	41602A	Housing, Connector	1	1
2	41601A	Contact, Connector	1	1
3	40591A	Brush Motor	1	1
4	20014A	Motor Shim	1	1
5	87026A	Washer, Flat 1/4"	2	2
6	80199A	Nut, M6 x 1 Nylock	2	2
7	80165A	Shoulder Bolt, M6 x 8 x 12mm	2	2
8	980651	Washer, Flat 5/16"	2	2
9	80196A	Nut, M5 x .8 Nylock	3	3
10	61306A	Switch Bracket	1	1
11	980692	Washer, Flat 5/16"	2	2
12	80176A	Screw, M5 x .8 x 12mm Pan Head	2	2
13	61078A	Motor Mount Bracket	1	1
14	98451A	Washer, Lock 7/16"	4	4
15	80184A	Bolt, M10 x 1.5 x 25mm Hex Head	4	4
16	20308A	Motor Adaptor	1	1
17	980679	Washer, Flat 3/4"	1	1
18	980210	Washer, Impeller	1	1
19	980652	Washer, Lock 5/16"	1	1
20	80197A	Screw, M8 x 1.25 x 20mm Hex Head	1	1
21	30216A	Upper Brush Housing	1	1
22	30217A	Lower Brush Housing	1	1
23	70667A	Label, 17	1	1
24	66550A	Pin Assembly	2	2
25◆	80224A	Shoulder Bolt, M5 x 6 x 16mm	2	2
26	980643	Washer, Flat	2	2
27◆	920278	Nut, 1/2-20 SS Hex	2	2
28	61289A	Motor Cover Rod	1	1
29	52515A	Bearing Sleeve	1	1
30	87036A	Washer, Flat #10	1	1
31	80227A	Extension Spring	1	1
32	980645	Washer, Flat 3/8"	4	-
33	80202A	Screw, M5 x .8 x 15mm, Pan Head	1	1
34◆	80169A	Nut, M5 x .8 Hex	2	2
35	77091A	Label, Moving Parts	1	1

NOTE: ◆ indicates a change has been made since the last publication of this manual.

Clarke®
Encore S17/L17 & S17/L17 Cylindrical
Vacuum Motor Assembly and Parts List 11/02

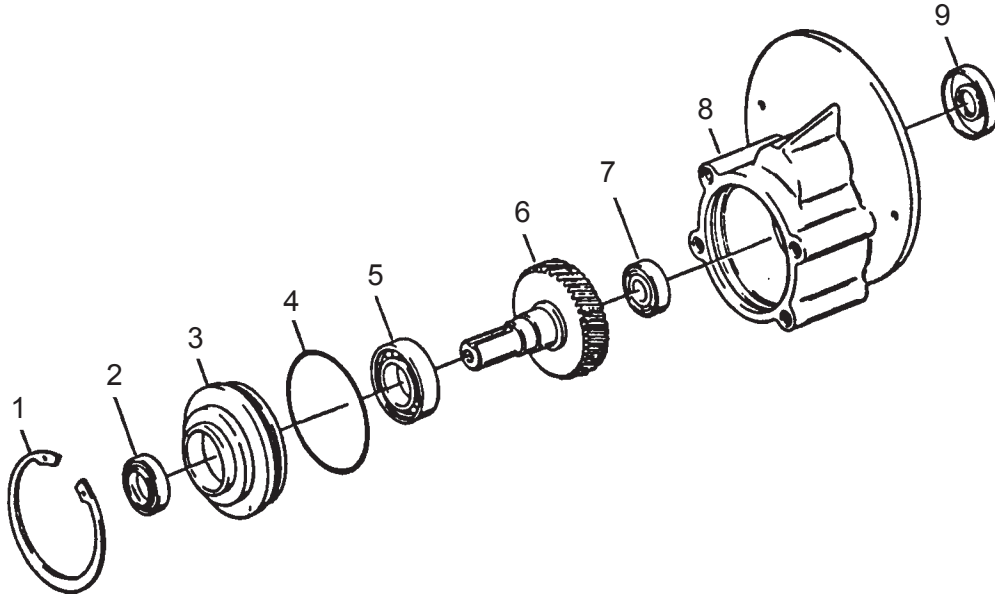


PARTS LIST

DESCRIPTION	REQUIRED	CLARKE 51049A	CLARKE 51050A
1. HOUSING	1	50994A	50994A
2. SCREW	4	*	*
3. FAN	1	50995A	50995A
4. COMMEND BRACKET	1	*	*
5. BRUSH MECHANISM	2	50996A	50996A
6. LOAD SPRING	1	*	*
7. BALL BEARING	1	*	*
8. SCREW	2	*	*
9. ARMATURE	1	*	*
10. FIELD	1	*	*
11. BALL BEARING	1	*	*
12. NEOPRENE WASHER	1	59803A	59803A
13. FAN END BRACKET	1	*	*
14. SPACER	1	*	*
15. FAN	1	50997A	50997A
16. ROTATING FAN	1	53914A	
17. SPACER	2	50999A	
	1		50999A
18. STATIONARY FAN	1	51043A	51043A
19. ROTATING FAN	1	51044A	51044A
20. STATIONARY FAN	1	51045A	NA
21. ROTATING FAN	1	50998A	NA
22. FAN SHELL	1	51046A	51047A
23. WASHER	1	*	*
24. NUT	1	*	*
25. INSULATOR BRUSH CAP	2	51048A	51048A

1. THIS INFORMATION IS FOR PART IDENTITY ONLY, IT IS NOT TO BE USED AS DISASSEMBLY OR ASSEMBLY INSTRUCTIONS.
2. REPLACEMENT OF ARMATURE OR FIELD REQUIRES THE REPLACEMENT OF BRUSH MECHANISMS.

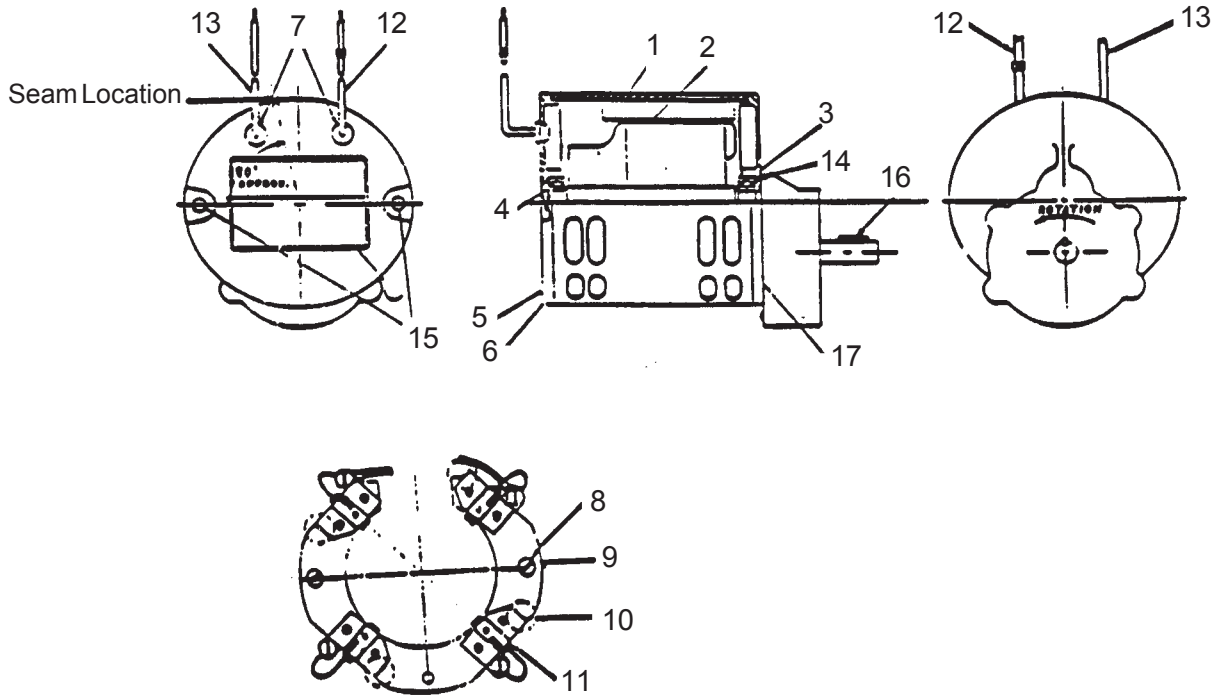
Clarke®
Encore S17/L17 Rotary Disk
Gearbox Assembly and Parts List 11/02



Ref #	Part No.	Description	Qty
1	57846A	Ring, Snap	1
2	507641	Seal, Oil, Small	1
3	52050A	Cap End	1
4	56668A	O-Ring	1
5	51176A	Bearing, Large	1
6	52830A	Shaft & Gear	1
7	902605	Bearing, Small	1
8	52854A	Housing	1
9	58144A	Seal, Oil Large	1
10	NI	Darina EP2 Grease	4 oz.
11	52855A	Complete Gearbox Asm.	1

IVIE Enterprises – Website: www.ivie-ent.com - Order Parts Online

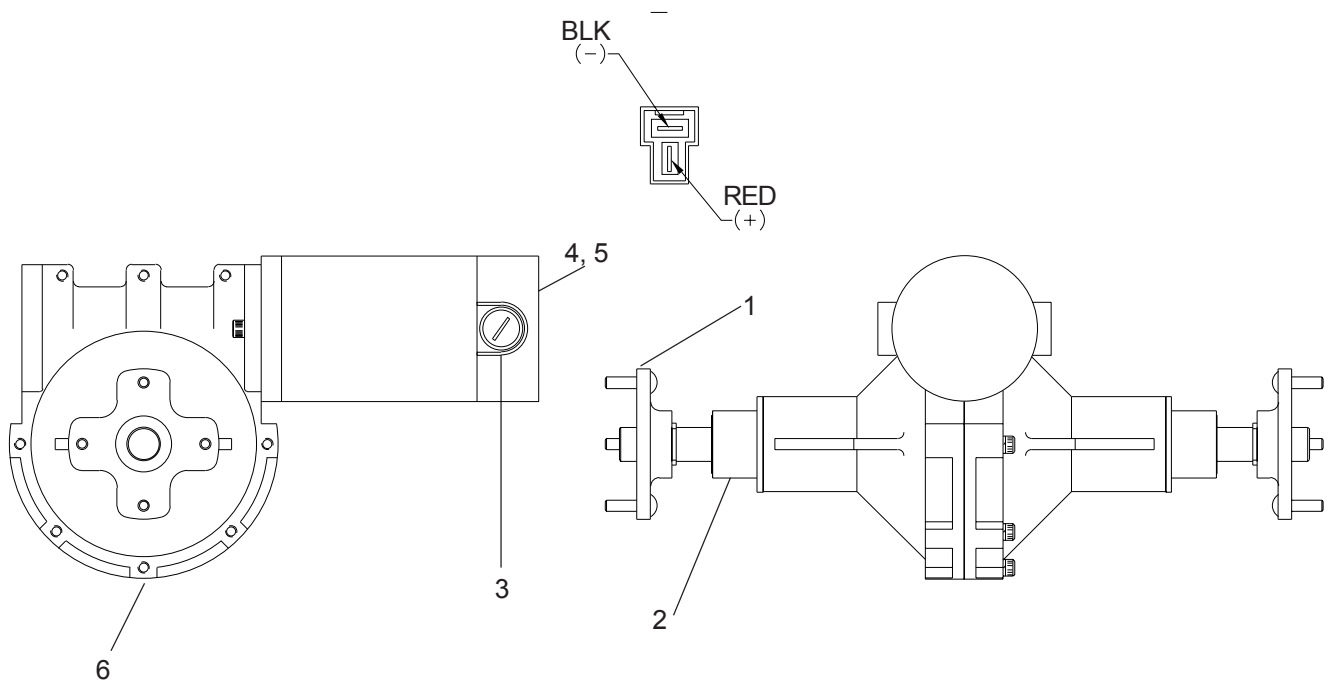
Clarke®
Encore S17/L17 Rotary Disk
Brush Motor Assembly and Parts List 11/02



Item	Part No.	Description	Qty
1	56478A	Stator Frame Assembly (w/Magnets & Clips)	1
2	50142A	Armature Assembly (w. B.E. & F.E. Bearings)	1
3	902654	Bearings B.E.	1
4	902550	Bearing F.E.	1
* 5		Commutator Bracket Assembly (w/Brush BRD Assembly Leads)	1
6	50520A	Commutator Bracket	1
7	56480A	Strain Relief	2
8	962546	Brush Board Screw	2
9	50517A	Brush Board Assembly (w/ Springs & Brushes)	1
10	448396	Brush Spring	4
11	40826A	Brush Assembly	4
12	55657A	Lead Assembly	1
13	55656A	Lead Assembly	1
* 14		Helical Washer	1
15	50515A	Thru Bolt	2
16	80501A	Shaft Key	1
17	54238A	B.E. Bracket Assembly (Gear Box)	1

* NOTE: Parts not available at this time.

Clarke®
Encore S17/L17 & S17/L17 Cylindrical
Transaxle Drawing 11/02

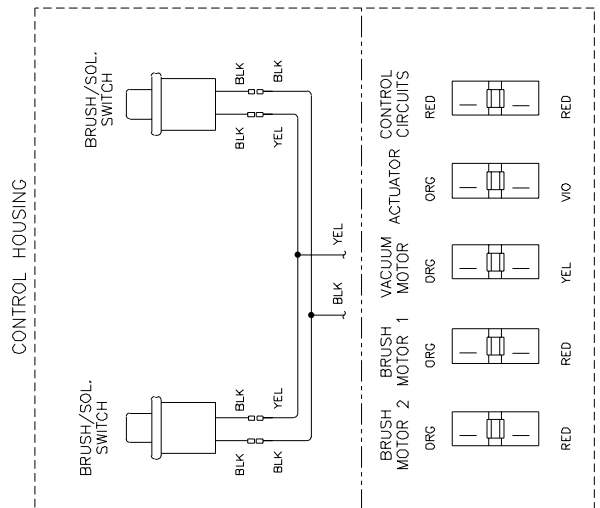
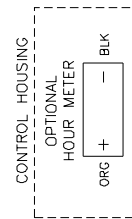
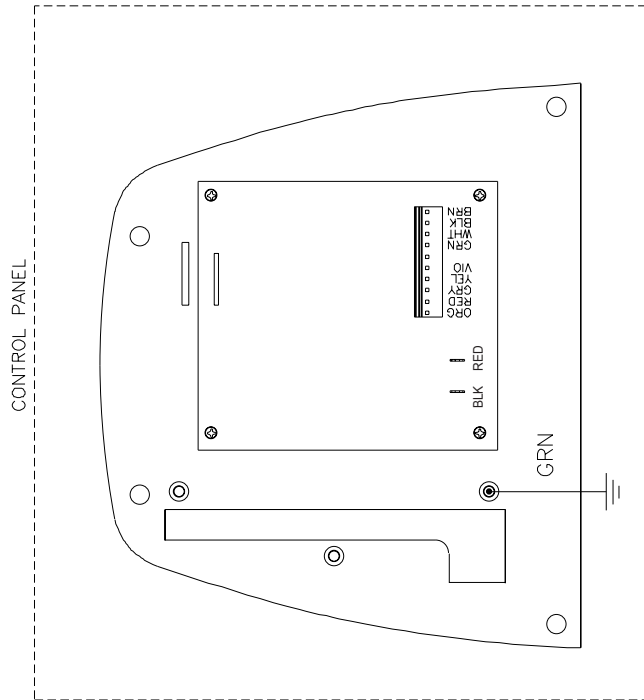
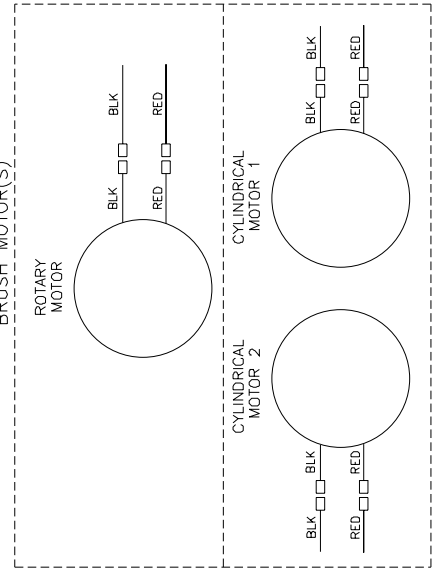
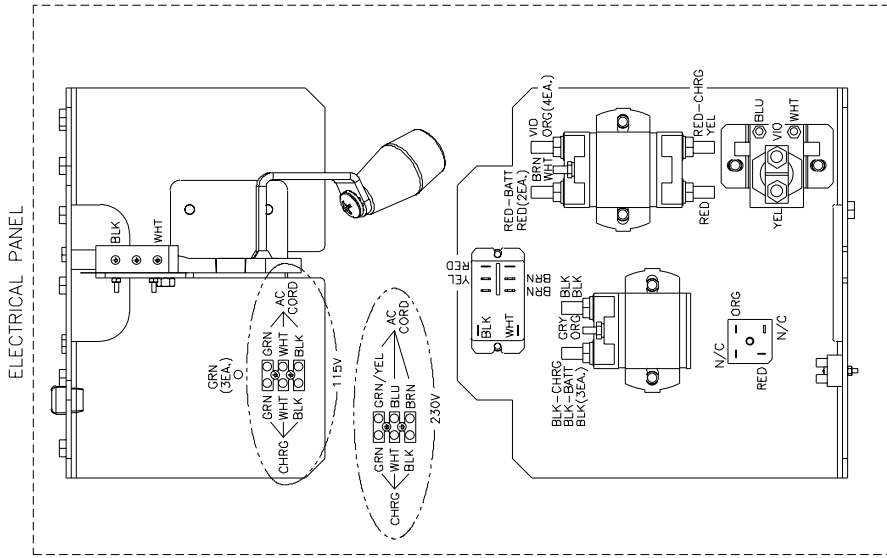
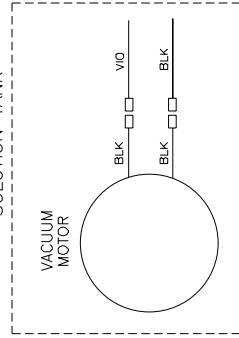
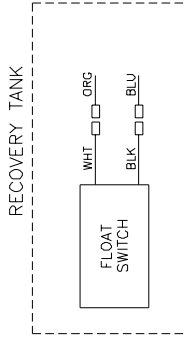
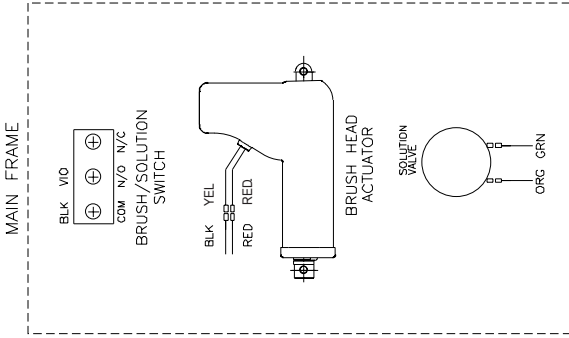


Item	Part No.	Description	Qty
1	10135A	Wheel Flange Kit	2
2	51056A	Transaxle Mounting Sleeve	2
3	40593A	Motor Brush	2
4	40594A	Motor Urethane Sleeve	1
5	40595A	Motor	1
6	40596A	Transaxle Only	1

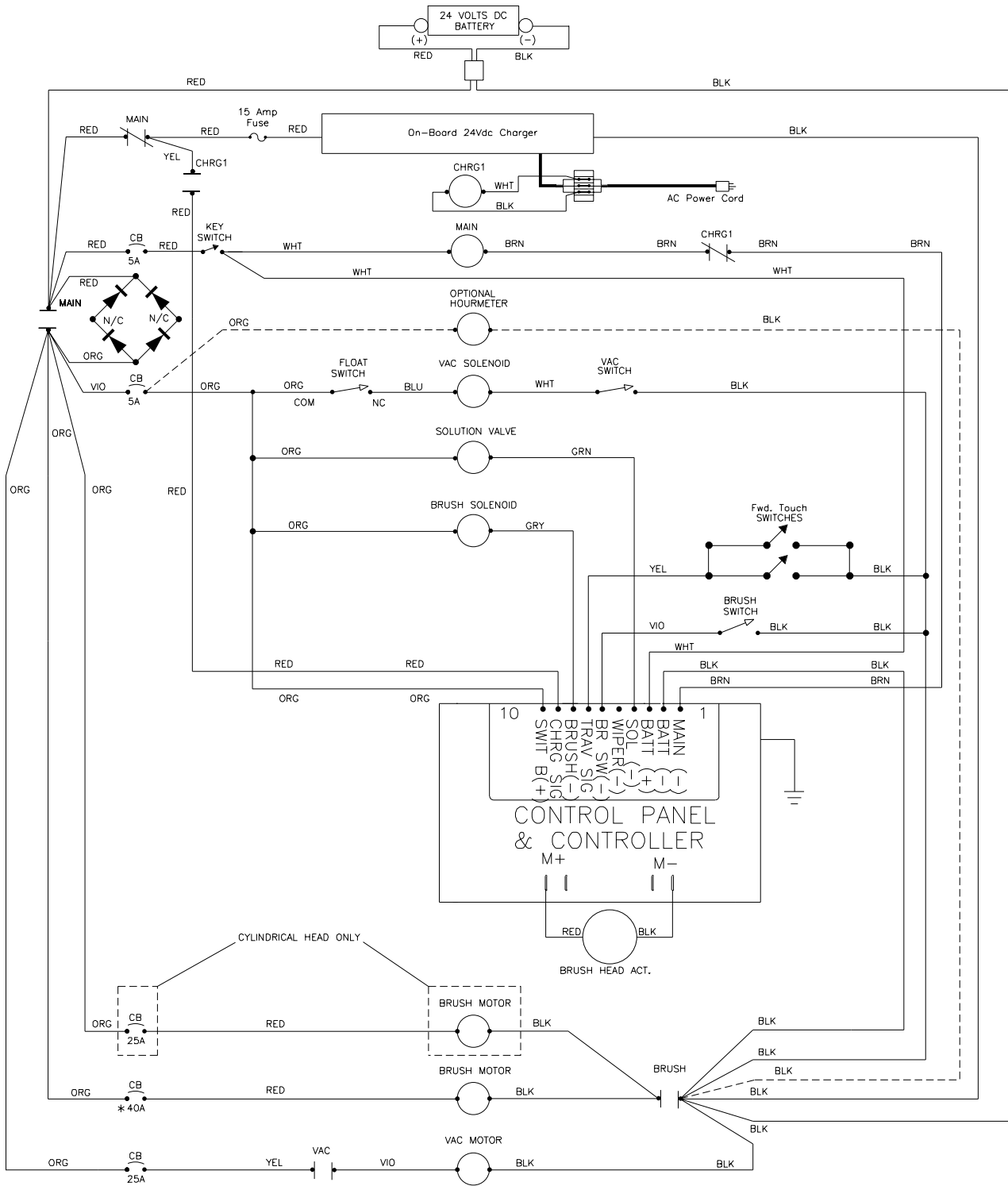
Specifications:

- Motor: 24VDC, Permanent Magnet, Tenv
- Transaxle: 30:1 Ratio
- Gear Oil: Mobile SHC634 12 oz.

Clarke® Encore S17 Connection Diagram 12/02

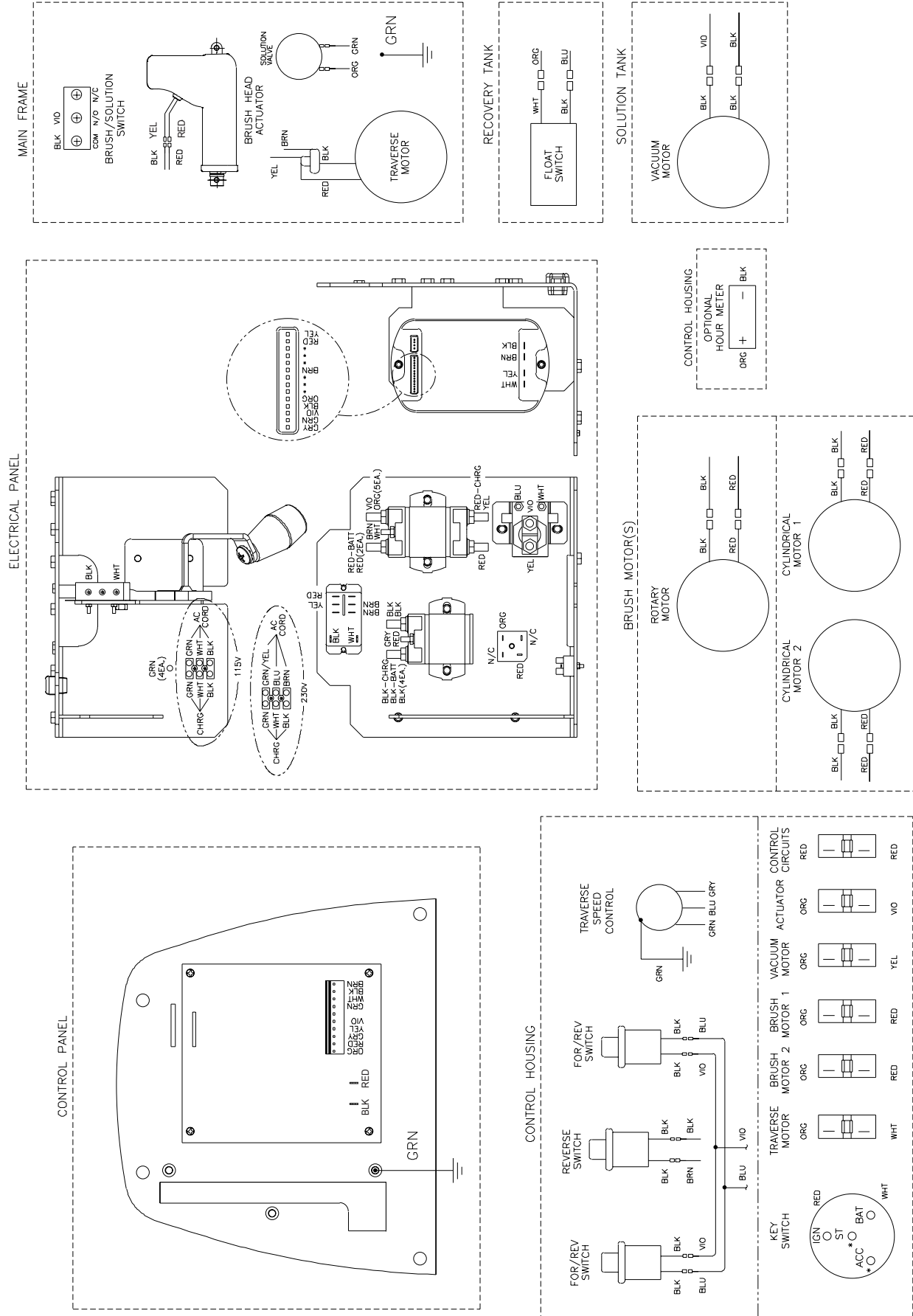


Clarke®
Encore S17
Electrical Schematic 11/02

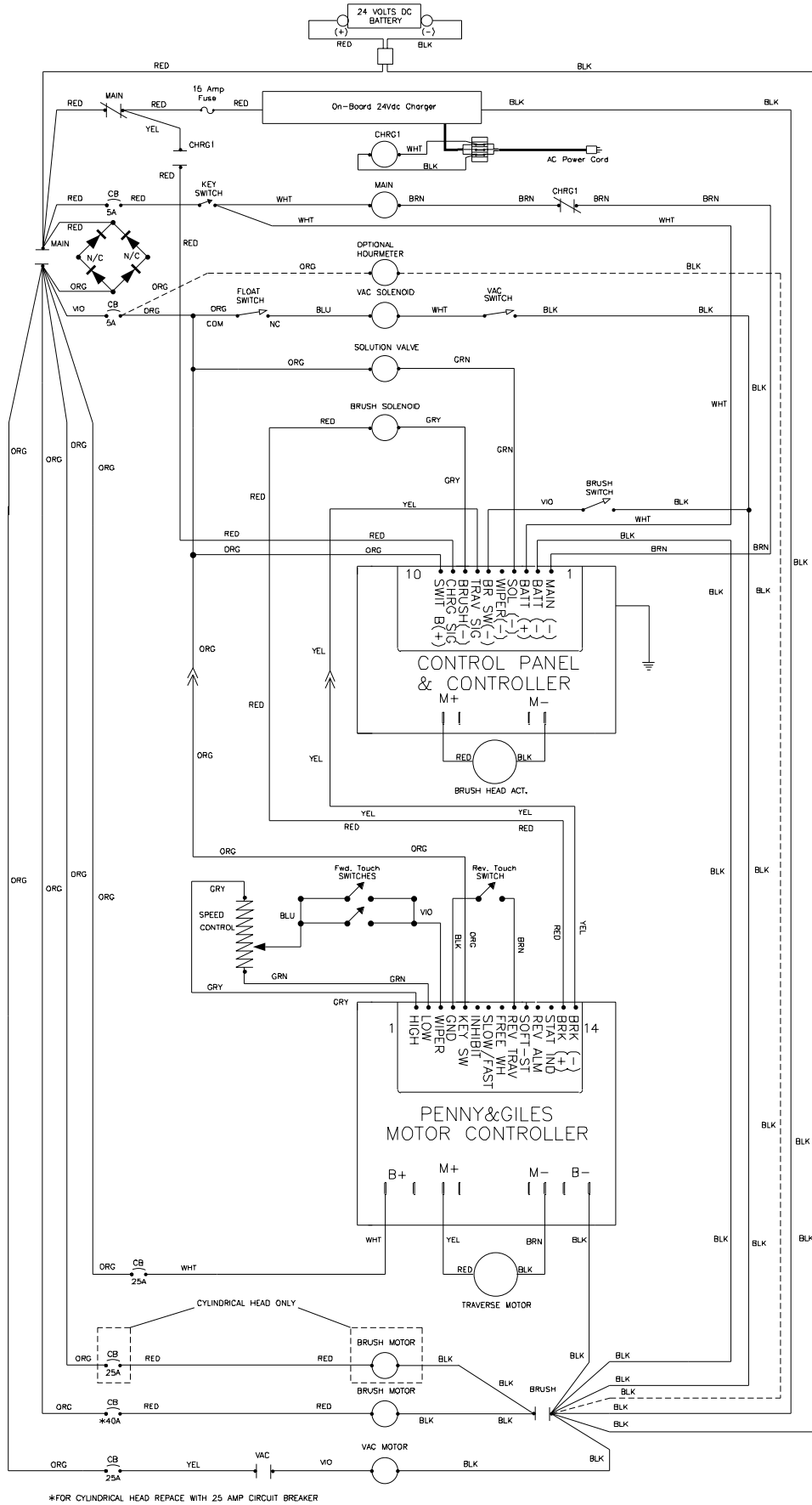


* FOR CYLINDRICAL HEAD REPLACE WITH 25 AMP CIRCUIT BREAKER

Clarke® Encore L17 Connection Diagram 12/02



Clarke® Encore L17 Electrical Schematic 11/02



Clarke® LIMITED U.S. WARRANTY

This Clarke Industrial/Commercial Product is warranted to be free from defects in materials and workmanship under normal use and service, when operated and maintained in accordance with Clarke's Maintenance and Operations instructions. The warranty period is subject to the conditions stated below.

3 YEARS FOR PARTS AND 1 YEAR FOR SERVICE LABOR (See exceptions below)

Motors must be inspected for carbon motor brush wear at six-month intervals by an authorized Clarke repair station. Failure to comply with the six-month inspection requirement or failure to replace worn motor brushes identified during the inspection will void the warranty on the motors. Cost of the six-month inspection and replacement of carbon motor brushes is the responsibility of the purchaser. In the event of a warranty claim on the motors, proof of inspection and any required motor brush replacement must be provided. This warranty is extended only to the original purchaser for use of the product. It does not cover normal wear parts such as electrical cable, rubber parts, hoses and motor brushes.

BATTERY WARRANTY

In addition to the items above, any original equipment Clarke Battery which becomes unserviceable under normal use within a period of ninety (90) days from date of sale to the original user will be repaired or replaced with one of equal specification at our option, F.O.B. any authorized Clarke Sales or Service Branch, with no charge to the user, except transportation costs. After expiration of the above ninety (90) day period, any battery which fails under normal use will be adjusted to the original user with a new battery of equal specification on an eighteen (18) months pro rate basis from the date of purchase. Adjustment will be determined using the then current list price, plus transportation costs.

Warranty is rendered null and void if battery is not kept filled to the proper level with DISTILLED WATER.

Clarke: POLYDUR® AUTOMATIC SCRUBBER SOLUTION AND RECOVERY TANK EIGHT-YEAR U.S. GUARANTEE

Your new Clarke Encore 2426 has polydur Solution and Recovery Tanks. Polydur is a rotationally molded, low-density linear polyethylene that won't crack or dent, and withstands most corrosives and temperature extremes. Clarke backs up your Polydur tanks with an eight-year guarantee. If a tank breaks or leaks under normal use within eight years of the date of purchase, it will be replaced free.

Clarke UNIBODY FRAME EIGHT-YEAR U.S. WARRANTY

Clarke warrants the frame of the Encore 2426 for a period of eight years against defects in materials and workmanship under normal use and service.

STATED WARRANTIES ARE IN LIEU OF ALL OTHER WARRANTIES, EXPRESSED OR IMPLIED

Clarke's liability under this warranty is limited to repair of the product and/or replacement of parts and is given to purchaser in lieu of all other remedies, including INCIDENTAL AND CONSEQUENTIAL DAMAGES.

THERE ARE NO EXPRESS WARRANTIES OTHER THAN THOSE SPECIFIED HEREIN. THERE ARE NO WARRANTIES WHICH EXTEND BEYOND THE DESCRIPTION OF THE FACE HEREOF. NO WARRANTIES, INCLUDING BUT NOT LIMITED TO WARRANTY OF MERCHANTABILITY, SHALL BE IMPLIED. A warranty registration card is provided with your Clarke product. Return the card to assist Clarke in providing the performance you expect from your new floor machine.

If a difficulty develops with the product, you should: a) Contact the nearest authorized Clarke repair location or contact the Clarke Service Operations Department, 2100 Highway 265, Springdale, Arkansas 72764, for the nearest authorized Clarke repair location. Only these locations are authorized to make repairs to the product under this warranty. (b) Return the product to the nearest Clarke repair location. Transportation charges to and from the repair location must be prepaid by the purchaser. Clarke will repair the product and/or replace any defective parts with out charge within a reasonable time after receipt of the product.

Clarke, 2100 Highway 265, Springdale, Arkansas 72764.

IVIE Enterprises – Website: www.ivie-ent.com - Order Parts Online

**Clarke reserves the right to make changes or improvements to its machine without notice.
Always use genuine Clarke Parts for repair.**

Clarke®
Division of
ALTO®

**2100 Highway 265
Springdale, Arkansas, 72764**