
Clarke®

FOCUS® II MID-SIZE AUTOSCRUBBER®

Disc 26 / Disc 28 / Disc 34/
Cylindrical 28

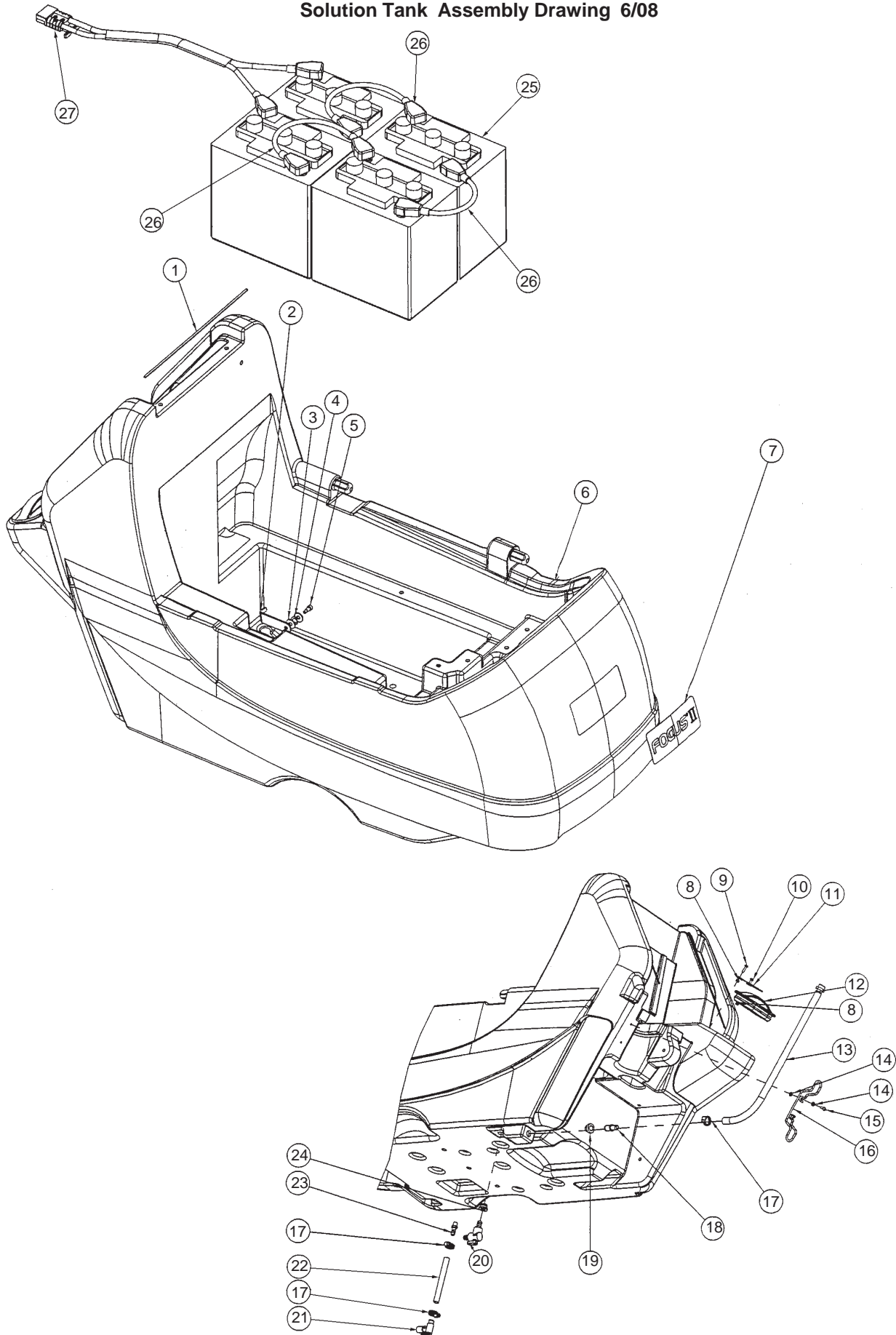
Section II Parts and Service Manual

Order Parts Here:



(71483A)

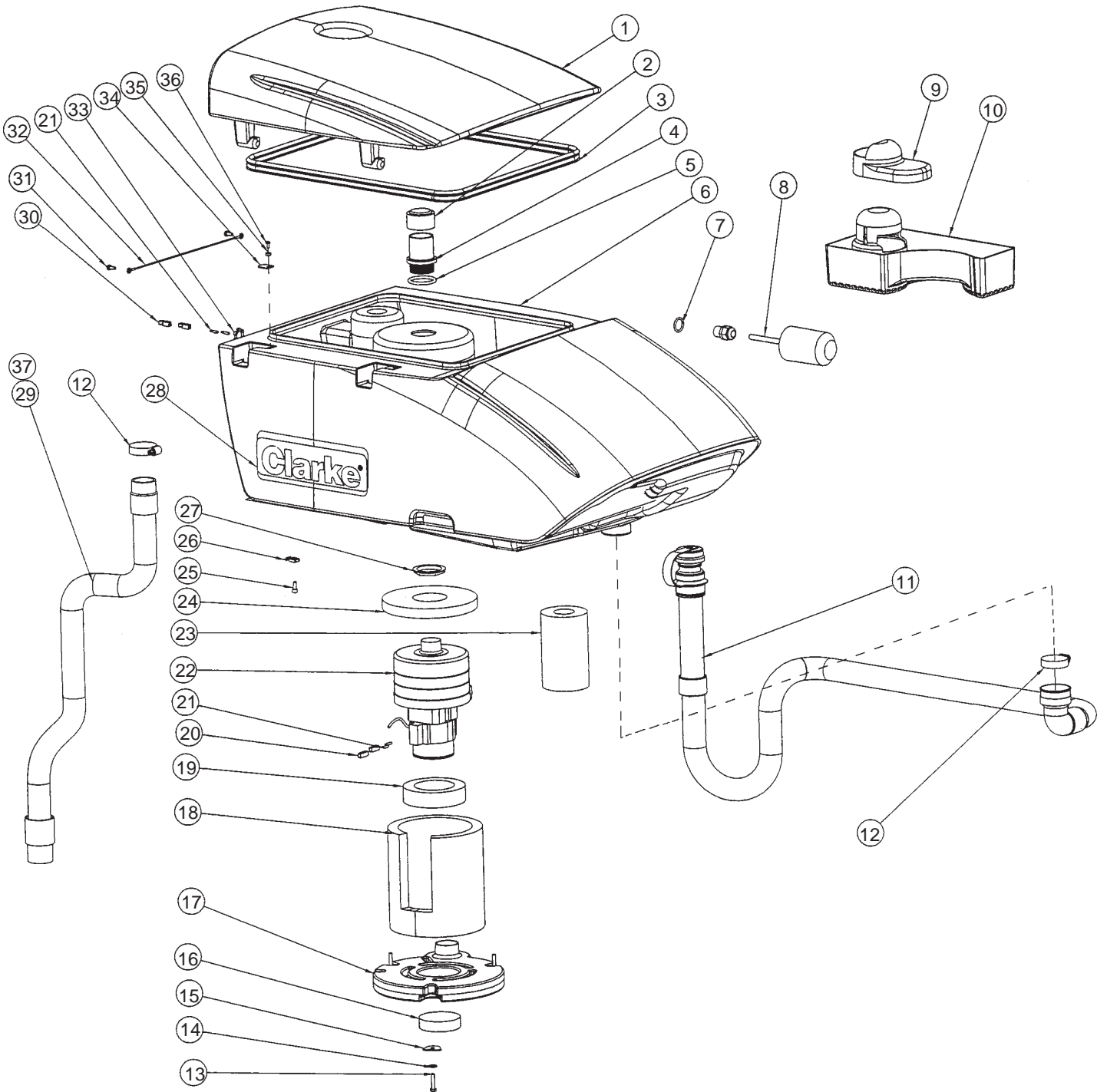
Clarke®
FOCUS II MID-SIZE AUTOSCRUBBER®
 Solution Tank Assembly Drawing 6/08



Clarke®
FOCUS II MID-SIZE AUTOSCRUBBER®
Solution Tank Assembly Parts List 6/08

Ref #	Part No.	Description	Qty
1	39887A	Gasket Handle	3
2	61930A	Rod, Recovery Tank Prop	1
3	170860	Washer, Flat 5/16	2
4	80317A	Washer, Bowed .455 ID x .740 OD	1
5	88630A	Bolt, M6-1 x 8 x 10MM SHSB	1
6	30796A	Tank, Solution	1
7	71452A	Label, Front	1
8	80196A	Nut, M5-.8 Nylock SS	2
9	80205A	Screw, M5 x 0.8 x 20MM Pan Head	1
10	80176A	Screw, M5 x 12 PHSS	1
11	54773A	Lanyard	1
12	30804A	Lid, Solution Rear Fill	1
13	30792A	Hose, Level/Drain	1
14	980643	Washer, 7/16 OD x .036 THK	4
15	964004	Screw, M5-.8 x 16MM PN ST PH	2
16	9095149000	Cord Wrap	1
17	722030	Clamp, Hose	3
18	32100A	Connector, Straight	2
19	31242A	Bushing	2
20	9097028000	Valve, Solution	1
21	59614A	Valve, Battery Drain	1
22	34704A	Hose, Clear Vinyl	1
23	820207	Adapter, Solution Hose	1
24	9095286000	Gasket, Valve Solution	1
25	41036A	Battery, 250 AH	4
	891384	Battery, 330 AH	4
	40953A	Battery, 260 AGM	4
	40964A	Battery, 312 AGM	4
26	40172A	Cable, Series (Ring Style)	3
	41206A	Cable, Series (Taper Style)	3
27	41060A	Cable, Battery (Ring Style)	1
	41080A	Cable, Battery (Taper Style)	1

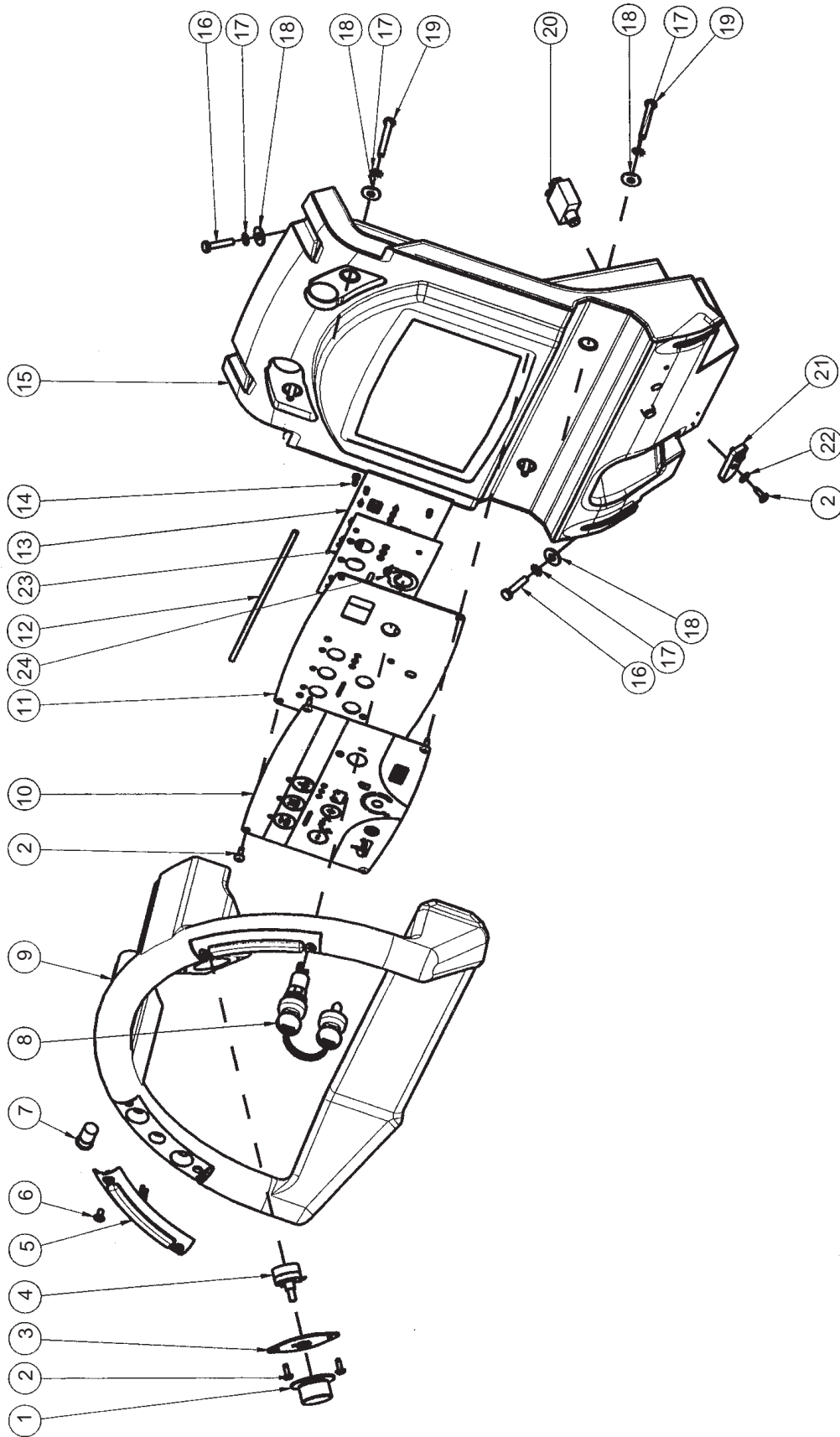
Clarke®
FOCUS II MID-SIZE AUTOSCRUBBER®
 Recovery Tank Assembly Drawing 8/08



Clarke®
FOCUS II MID-SIZE AUTOSCRUBBER®
Recovery Tank Assembly Parts List 8/08

Ref #	Part No.	Description	Qty
1	30798A	Lid, Recovery Tank	1
2	58069A	Screen, Vac Filter	1
3	39718A	Gasket, Recovery Lid	1
4	30805A	Tube, Stand	1
5	837304	O-Ring	1
6	30797A	Tank, Recovery	1
7	59877A	Seal, Washer	1
8	40002A	Switch, Float Electrical	1
9	30827A	Lid, Tray Debris	1
10	30791A	Tray, Debris	1
11	30799A	Hose, Drain	1
12	54774A	Clamp, Hose	2
13	87902A	Screw, 6MM x 1.00 x 30MM Lg Hex	3
14	87026A	Washer, 1/4 Flat SS	3
15	9096638000	Plate Cover	3
16	9096672000	Filter	1
17	9096051000	Cover, Vac	1
18	9096491000	Panel, Acoustic Insulation	1
19	9096490000	Gasket, Vac	1
20	43401A	Housing, Connector	2
21	41809A	Contact, Housing Connector	4
22	9097367000	Motor, Vacuum	1
23	9096442000	Pipe, Acoustic Insulation	1
24	30823A	Gasket, Vac Motor	1
25	80179A	Screw, M6 x 15	2
26	52548A	Tab, 1/4" Screw	2
27	920797	Nut, Drain Valve	1
28	71388A	Label, Clarke	1
29	30813A	Hose, Squeegee	1
30	43402A	Housing, Connector	2
31	80176A	Screw, M5 x 12 PHSS	2
32	9096634000	Cable	2
33	82100A	Locknut, 1/2" Conduit	1
34	9096643000	Plate	2
35	9096679000	Spacer	1
36	80057A	Screw, M4-.7 x 10	2
37	699202	Cable Tie, "P" Trap Hose	2

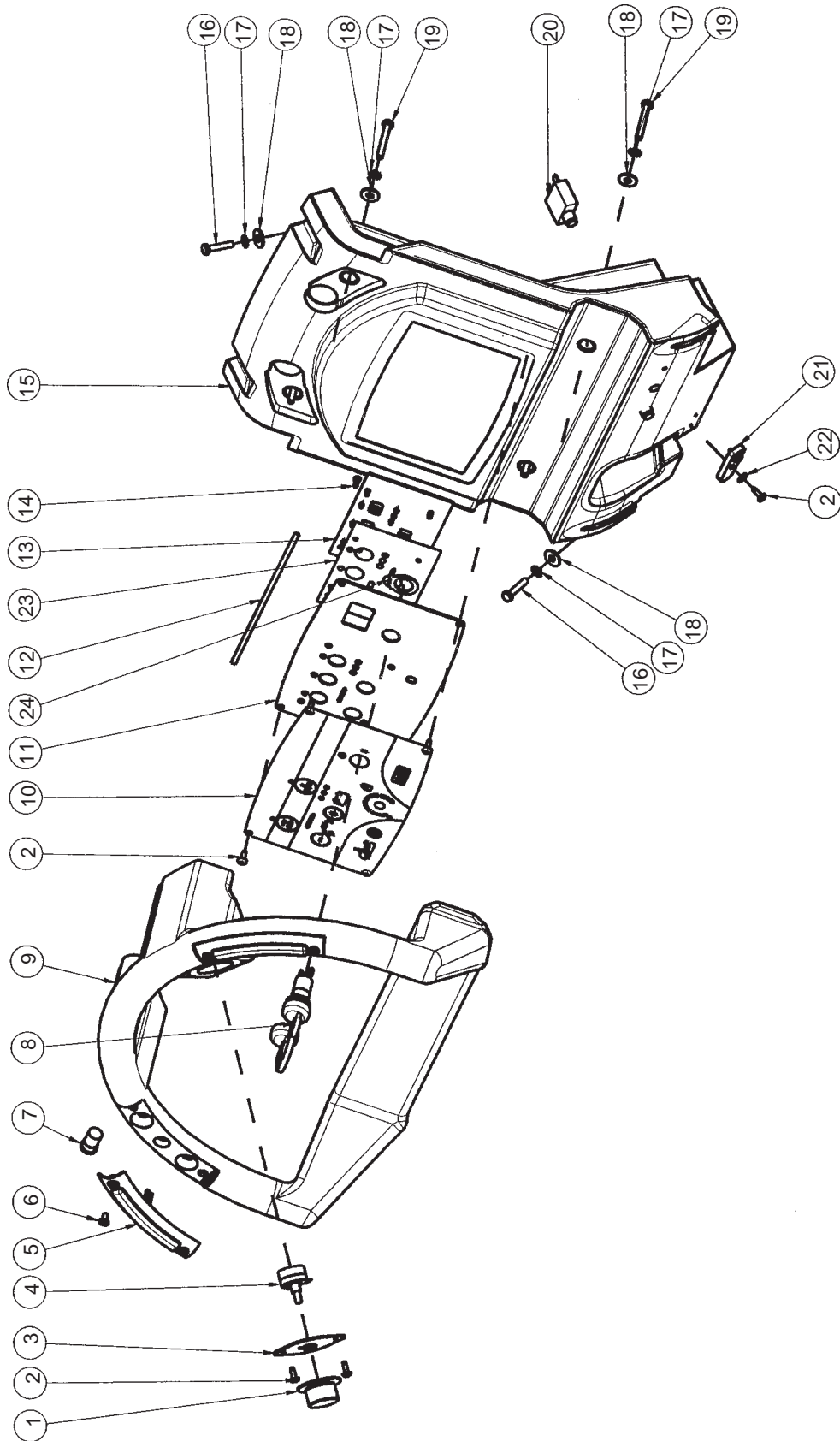
Clarke®
FOCUS II MID-SIZE AUTOSCRUBBER®
 Handle Assembly Drawing (Disc and BOOST Models) 8/08



Clarke®
FOCUS II MID-SIZE AUTOSCRUBBER®
Handle Assembly Parts List (Disc and BOOST Models) 8/08

Ref #	Part No.	Description	Qty
1	50962A	Knob, Speed Control	1
2	962957	Screw, 10-16 x 1/2 Self Tap	8
3	61922A	Retainer, 5K Potentiometer	1
4	41078A	Harness, Potentiometer Asm.	1
5	11131A	Switch, Control Handle Asm.	2
6	80192A	Screw, M5-0.8 x 10MM Oval Phil.	4
7	52556A	Switch, Push Button	1
8	1462888000	Switch, Key	1
9	30785A	Handle, Control	1
10	71425A	Label, Control Panel	1
11	61929A	Panel, Control	1
12	39886A	Gasket, Console 9.50	1
13	41067A	Board, Function	1
14	50267A	Screw, 8-32 x .375	4
15	30784A	Housing, Control	1
16	87902A	Screw, 6MM x 1.00 x 30MM LG Hex	4
17	980614	Washer, 1/4" Starlock, External	8
18	87007A	Washer Control Shaft	8
19	88628A	Screw, 6MM x 1.00 x 45MM LG Hex	4
20	41431B	Breaker, 35A Circuit	2
21	39888A	Retainer, Drain Hose	1
22	980643	Washer, 7/16 OD x .036 THK	2
23	30831A	Insulator, Mylar	1
24	61948A	Washer, Tab Ground	1
NI	41063A	Harness, Key Switch	1

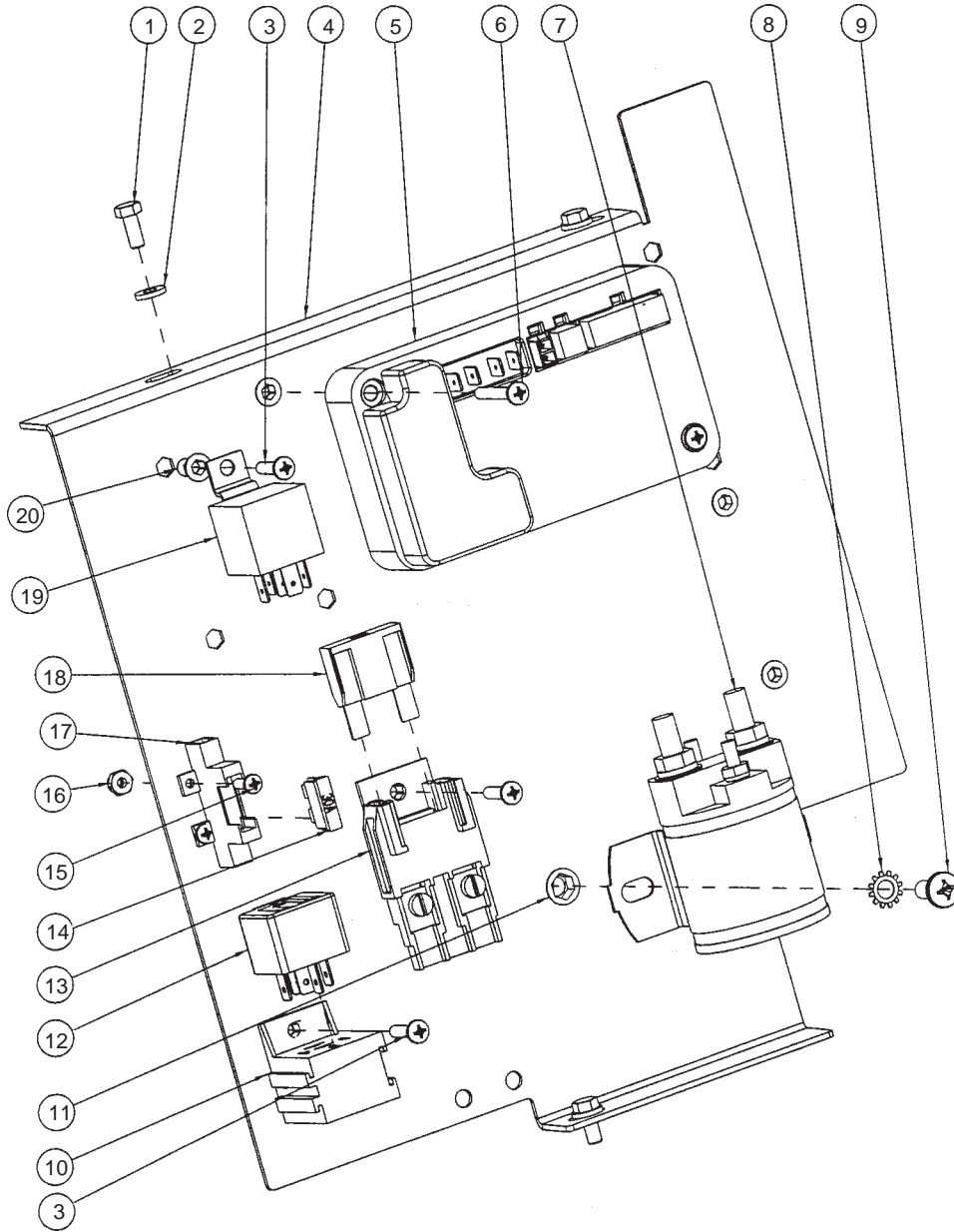
Clarke®
FOCUS II MID-SIZE AUTOSCRUBBER®
Handle Assembly Drawing (Cylindrical Model) 8/08



Clarke®
FOCUS II MID-SIZE AUTOSCRUBBER®
Handle Assembly Parts List (Cylindrical Model) 8/08

Ref #	Part No.	Description	Qty
1	50962A	Knob, Speed Control	1
2	962957	Screw, 10-16 x 1/2 Self Tap	8
3	61922A	Retainer, 5K Potentiometer	1
4	41078A	Harness, Potentiometer Asm.	1
5	11131A	Switch, Control Handle Asm.	2
6	80192A	Screw, M5-0.8 x 10MM Oval Phil.	4
7	52556A	Switch, Push Button	1
8	1462888000	Switch, Key	1
9	30785A	Handle, Control	1
10	71484A	Label, Control Panel Cyl.	1
11	61929A	Panel, Control	1
12	39886A	Gasket, Console 9.50	1
13	41067A	Board, Function	1
14	50267A	Screw, 8-32 x .375	4
15	30784A	Housing, Control	1
16	87902A	Screw, 6MM x 1.00 x 30MM LG Hex	4
17	980614	Washer, 1/4" Starlock, External	8
18	87007A	Washer Control Shaft	8
19	88628A	Screw, 6MM x 1.00 x 45MM LG Hex	4
20	41422B	Breaker, 25A Circuit, Traverse	2
21	39888A	Retainer, Drain Hose	1
22	980643	Washer, 7/16 OD x .036 THK	2
23	30831A	Insulator, Mylar	1
24	61948A	Washer, Tab Ground	1
NI	41063A	Harness, Key Switch	1

Clarke®
FOCUS II MID-SIZE AUTOSCRUBBER®
Electrical Box Assembly Drawing 8/08



Clarke®
FOCUS II MID-SIZE AUTOSCRUBBER®
Electrical Box Assembly Drawing 808

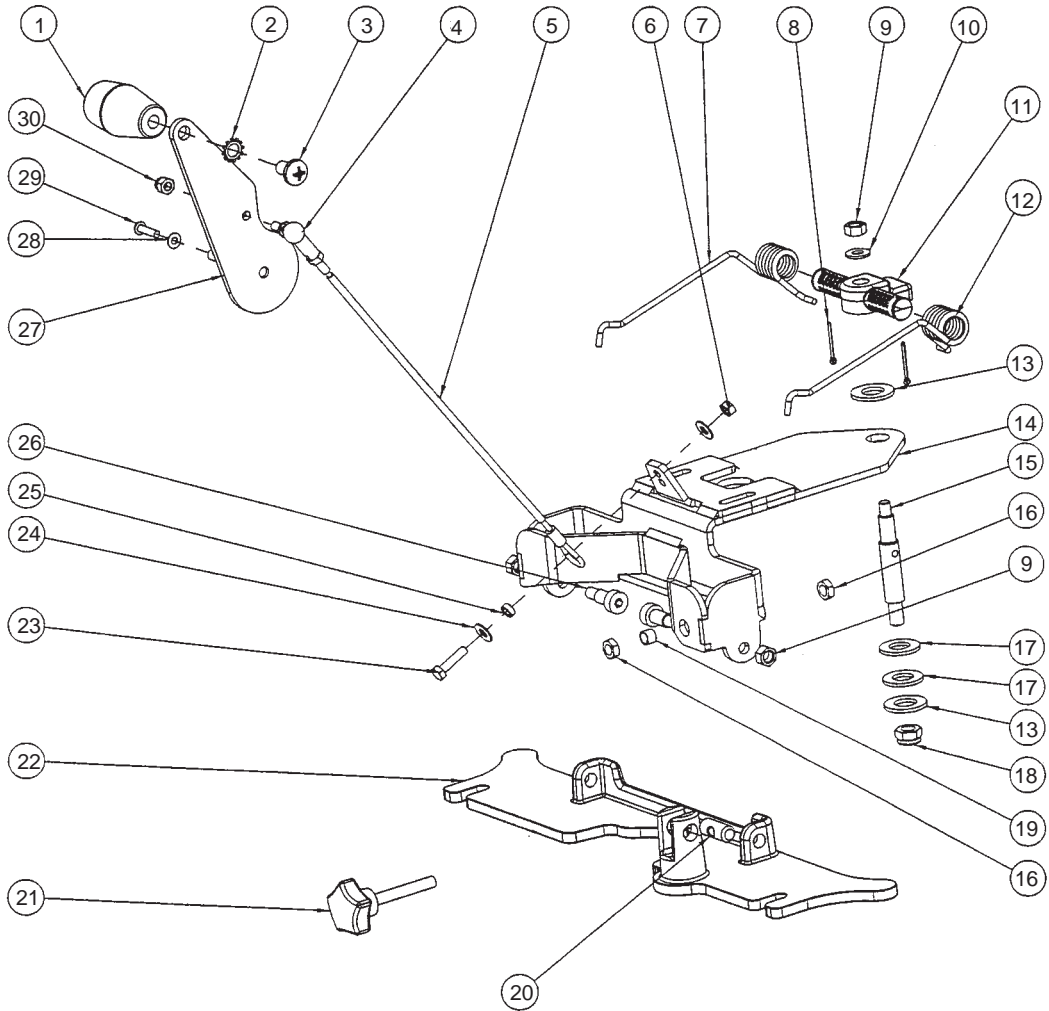
Ref #	Part No.	Description	Qty
1	80249A	Screw, M5-.8 x 12MM Hex	3
2	980643	Washer, 7/16 OD x .036 THK	3
3	962027	Screw, 8-32 x 1/2 P.H.	3
4	61933A	Plate, Electrical	1
5	41068B	Controller, I-Drive 24V Traverse	1
6	80380A	Screw, 8-32 x 1 1/4" P.H.	2
7	41810A	Contact, Brush 24V	1
8	980614	Washer, 1/4" Starlock External	2
9	85391A	Screw, 1/4-20 x .625 Pan Hd.	2
10	Ref.	Relay Holder (included in 41061A Harness)	1
11	54764A	Insert, Hex 1/4-20 UNC	7
12	41075A	Relay	1
13	Ref.	Fuse Holder (included in 41061A Harness)	1
14	41073A	Fuse, 30A (see WARNING below)	1
15	962979	Screw, 6-32 x 1/2 PN ST PH	2
16	920056	Nut, 6-32 E.S.N.A. Nylock	2
17	Ref.	Fuse Holder (included in 41061A Harness)	1
18	41074A	Fuse, 60A (see WARNING below)	1
19	41069B	Relay, i-Drive 24V Traverse	1
20	54763A	Insert, Hex #8-32 UNC	7
NI	41065B	Harness, Traverse	1
NI	41061A	Harness, Machine	1



WARNING:

To reduce the risk of fire, when replacing fuse, replace only with same type and rating of fuse that comes with machine.

Clarke®
FOCUS II MID-SIZE AUTOSCRUBBER®
Squeegee Holder Assembly Drawing 8/08



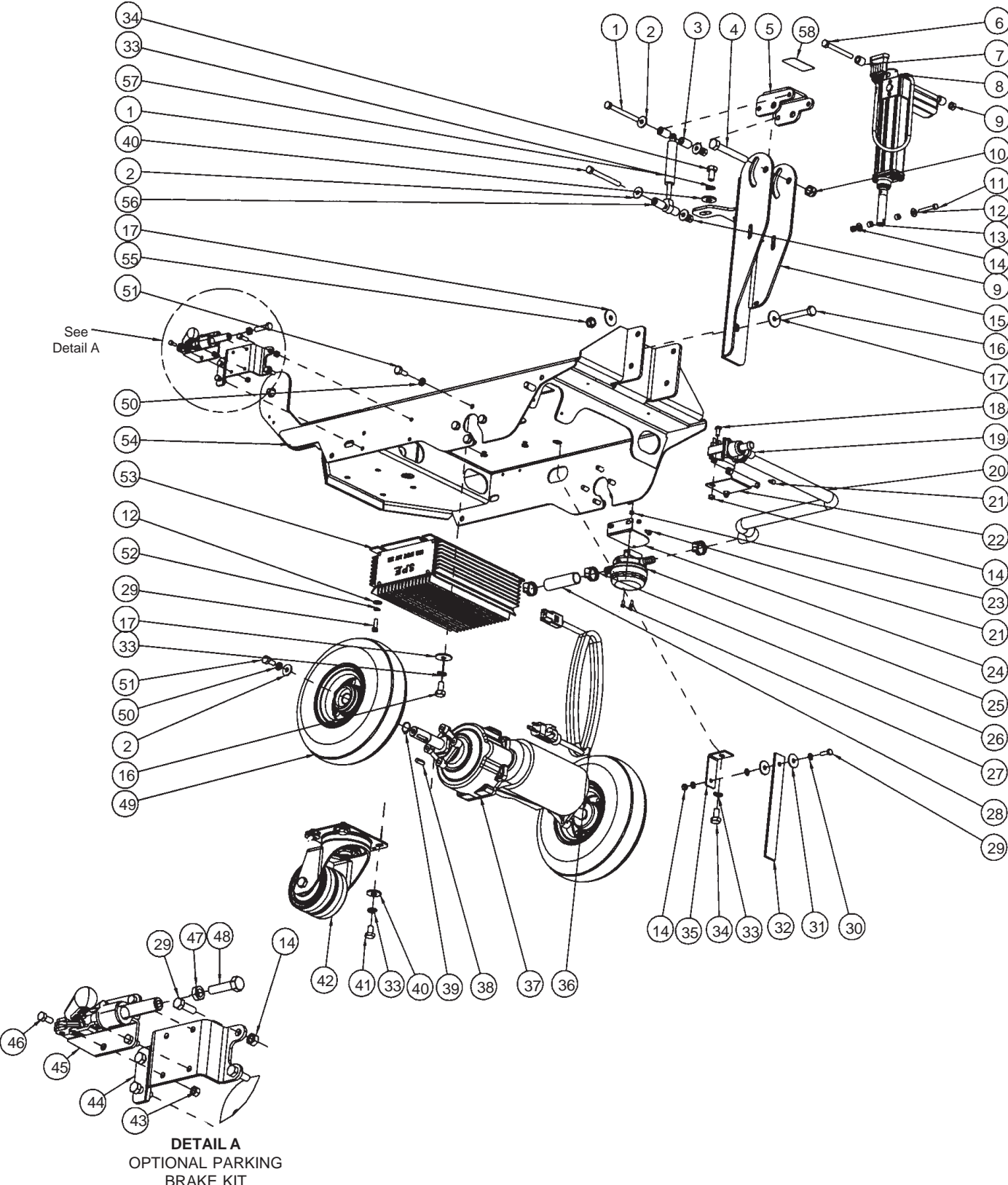
Clarke®
FOCUS II MID-SIZE AUTOSCRUBBER®
Squeegee Holder Assembly Parts List 8/08

Ref #	Part No.	Description	Qty
1	52557A	Knob, Lift	1
2	980666	Washer, 3/8 Starlock External	1
3	85389A	Screw, 3/8-16 x 5/8	1
4	V17027	Joint, Ball	1
5	9097366000	Cable, Lift	1
6	80199A	Nut, M6-1.00 Nylock S.S.	1
7	9096537000	Spring, Squeegee Left	1
8	925044	Pin, Cotter .094 x 1.00	2
9	80198A	Nut, M8-1.25 Nylock S.S.	3
10	980651	Washer, 5/16 Flat	1
11	9096052000	Support, Spring	1
12	9096538000	Spring, Squeegee Right	1
13	87613A	Washer, Flat .22 x .64 x .10 Nylon	2
14	61953A	Plate, Squeegee Support	1
15	9096497000	Pin, Squeegee Mounting	1
16	50374A	Nut, M8-1 S.S.	2
17	38708A	Spacer	2
18	80223A	Nut, M10-1.5 Nylock	1
19	L08602422	Spacer	1
20	L08601509	Pin	1
21	54699A	Knob, M8 x 55	1
22	9096045000	Bracket, Squeegee	1
23	964054	Screw, M6-1 x 25MM Hex	1
24	87007A	Washer	2
25	1462258000	Spacer	1
26	9096495000	Screw, Socket Head	2
27	61952A	Lever, Squeegee Lift	1
28	980982	Washer, #10 SAE Flat	1
29	80205A	Screw, M5 x 0.8 x 20MM Pan Head	1
30	88640A	Nut, M6-1 Acorn	1

Clarke®
FOCUS II MID-SIZE AUTOSCRUBBER®
Standard Squeegee Swing Arm Assembly Parts List 8/08

Ref #	Part No.	Description	Qty	On Models with Squeegee Size		
				32.5"	35"	41"
1	83009A	Rivet, Pop 5/32 Dia., .126-.187 G	2	x	x	x
2	L08603664	Latch	1	x	x	x
3	9097356000	Support, Squeegee	1	x		
	9097361000	Support, Squeegee	1		x	
	9097375000	Support, Squeegee	1			x
4	9097357000	Strap, Wldmt., Squeegee	1	x		
	9097362000	Strap, Wldmt., Squeegee	1		x	
	9097376000	Support, Squeegee	1			x
5	30816U	Blade, 32.5" Rear Urethane	1	x		
	30815U	Blade, 35" Rear Urethane	1		x	
	30814U	Blade, 42" Rear Urethane	1			x
6	88629A	Screw, M6-1 x 55MM Hex	2	x	x	x
7	9096505000	Wheel, Squeegee	2	x	x	x
8	87026A	Washer, 1/4 Flat S.S.	2	x	x	x
9	80199A	Nut, M6 x 1.00 Nylock S.S.	2	x	x	x
10	29927A	Frame, 32.5" Squeegee	1	x		
	29928A	Frame, 35" Squeegee	1		x	
	29929A	Frame, 42" Squeegee	1			x
11	L08603675	Knob, Squeegee	2	x	x	x
12	9096682000	Washer, Rubber	2	x	x	x
13	962157	Screw, 5/16-18 x 1.25 Hex	2	x	x	x
14	54647A	Knob, M8 x 30	1	x	x	x
15	88609A	Screw, 5/16 x 3/8 x 5/8 SHSS	2	x	x	x
16	80317A	Washer, Bowed .455 ID x 7.40 OD	2	x	x	x
17	30048A	Guide, Wheel	2	x	x	x
18	30817U	Blade, 32.5" Front Urethane	1	x		
	30818U	Blade, 35" Front Urethane	1		x	
	30819U	Blade, 42" Front Urethane	1			x
19	60465A	Strap, Wldmt., Squeegee	1	x		
	60466A	Strap, Wldmt., Squeegee	1		x	
	60546A	Strap, Wldmt., Squeegee	1			x
20	88632A	Screw, Set M8-1.25 x 30MM	1	x	x	x
21	60564A	Shim, Screw	2	x	x	x
22	39717A	Pad, Squeegee	1	x	x	x

Clarke®
FOCUS II MID-SIZE AUTOSCRUBBER®
Frame Assembly Drawing 8/08

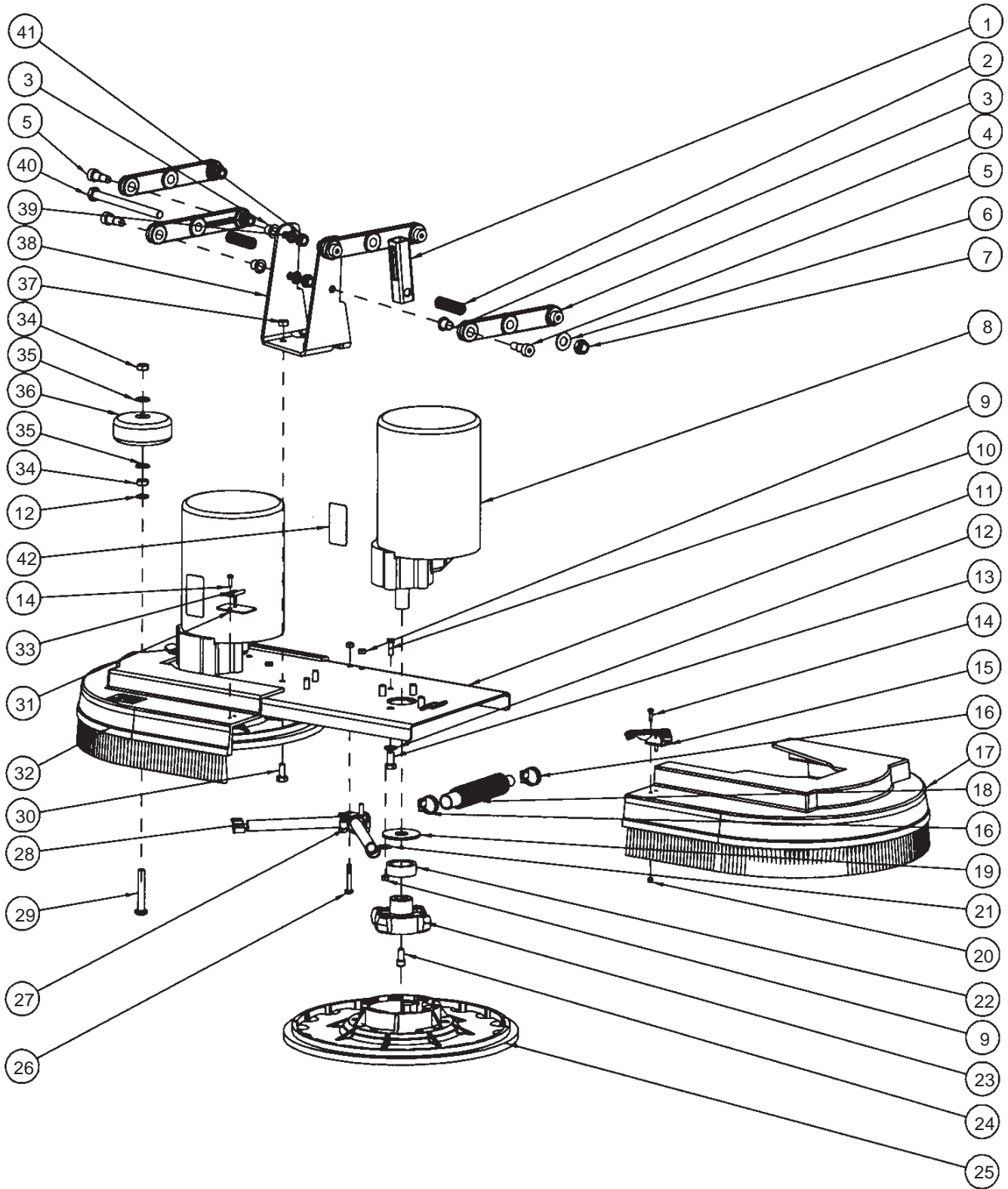


DETAIL A
OPTIONAL PARKING
BRAKE KIT

Clarke®
FOCUS II MID-SIZE AUTOSCRUBBER®
Frame Assembly Parts List 8/08

Ref #	Part No.	Description	Qty
1	88633A	Screw, M8 x 85 Hex Head	2
2	170860	Washer, Flat 5/16	6
3	61937A	Spacer, .590 OD x .328 ID	2
4	88620A	Screw, M12 x 90M Hex	1
5	9097456000	Lever	1
6	88635A	Screw, M8 x 75 Hex Head	1
7	9096112000	Spacer	2
8	9097402000	Actuator	1
9	80198A	Nut, M8-1.25 Nylock S.S.	3
10	88618A	Nut, M12 Nylon Insert	1
11	88626A	Screw, M6-1 x 40MM Hex	1
12	87026A	Washer, 1/4 Flat S.S.	6
13	1462258000	Spacer	2
14	80199A	Nut, M6-1.00 Nylock S.S.	8
15	9097368000	Support, Jack Motor	1
16	88616A	Screw, M10 x 75M Hex	1
17	87054A	Washer Fender .375	5
18	80214A	Screw, M6 x 1 x 12	2
19	59789A	Valve, Solution	1
20	30828A	Hose, Clear x 25.00 Long	1
21	88624A	Screw, M5 x 12MM Hex Self Tap	4
22	61932A	Bracket, Solution Valve	1
23	88623A	Nut, M4-.7 Nylock Insert	2
24	9097370000	Bracket, Filter	1
25	9097404000	Filter, Water	1
26	722030	Clamp, Hose	4
27	80057A	Screw, M4-.7 x 10	2
28	30829A	Hose, Clear x 3.00 Long	1
29	57994A	Screw, M6-1 x 20	9
30	980614	Washer, 1/4" Starlock External	3
31	980205	Washer, .31 ID x 1.06 OD	2
32	69639A	Strap, Static	1
33	88612A	Washer, Lock M10	10
34	88614A	Screw, M10-1.5 x 20MM	6
35	61949A	Bracket, Ground Strap	1
36	41081A	Cord, Charger NEMA	1
37	41054A	Transaxle	1
NI	40628A	Carbon Brushes, Transaxle (Set)	1
38	88625A	Key, M6 x 23 MM	2
39	88610A	Ring, Retaining 5100-78	2
40	88611A	Washer, Flat M10	6
41	88613A	Screw, M10-1.5 x 16MM Hex	4
42	9095202000	Caster, Rear	1
43	80196A	Nut, M5-.8 Nylock SS	4
44	61934A	Bracket, Brake	1
45	54772A	Clamp, Toggle Straight Line	1
46	80249A	Screw, M5-.8 x 12MM Hex	4
47	920160	Nut, 5/16 Jam Hex	1
48	962157	Screw, 5/16-18 x 1.25 Hex Hd	1
49	54697A	Wheel, 10" Foam Filled	2
50	980652	Washer, 5/16 Lock	10
51	80183A	Bolt, M8-1.25 x 20, Hex	10
52	980657	Washer, Lock 1/4	4
53	41077A	Charger, Battery	1
54	61931A	Chassis, Wldmt	1
55	80223A	Nut, M10-1.5 Nylock	1
56	9096113000	Spacer	2
57	54689A	Gas Spring 500N	1
58	71017A	Label, Moving Parts	1

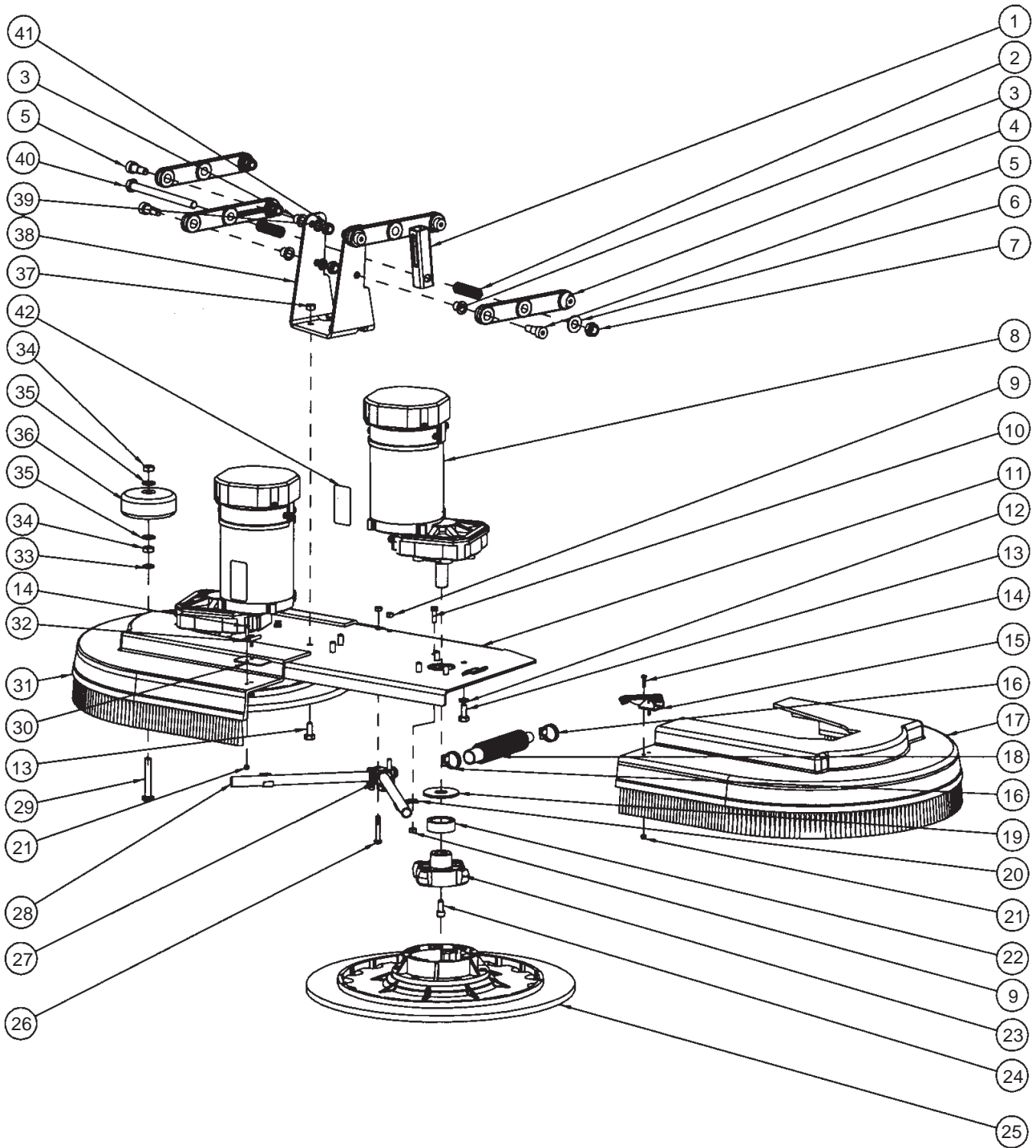
Clarke®
FOCUS II MID-SIZE AUTOSCRUBBER®
 Disc 26 and Disc 28
 Brush Head Assembly Drawing 8/08



Clarke®
FOCUS II MID-SIZE AUTOSCRUBBER®
Disc 26 and Disc 28
Brush Head Assembly Parts List 8/08

Ref #	Part No.	Description	Qty	Model
1	9097365000	Tube, Actuator	1	26 & 28
2	E04016	Spring	2	26 & 28
3	88647A	Bushing, Flanged	8	26 & 28
4	9097197000	Lever, Bushing Head Lift	4	26 & 28
5	88617A	Screw, M10 x M12 x 16MM SBSH	8	26 & 28
6	980648	Washer, 17/32 x 1 1/16 Plain	1	26 & 28
7	88618A	Nut, M12 Nylon Insert	1	26 & 28
8	44809B	Motor, Brush	2	26 & 28
NI	40826A	Carbon Brushes, Motor (set)	1	26 & 28
9	80199A	Nut, M6-1.00 Nylock SS	4	26 & 28
10	57994A	Screw, M6-1 x 20	2	26 & 28
11	61925A	Plate, 26" Brush Wldmt	1	26
	61924A	Plate, 28" Brush Wldmt	1	28
12	980638	Washer, 3/8 Lock	9	26 & 28
13	962244	Screw, 3/8-16 x .75 Hex	8	26 & 28
14	964002	Screw, M4-.7 x 16MM PH	4	26 & 28
15	55721A	Latch	1	26 & 28
16	722030	Clamp, Hose	4	26 & 28
17	30661A	Brush Housing L.H.	1	26
	30574A	Brush Housing L.H.	1	28
18	30412A	Hose, Solution	1	26 & 28
19	59856A	Washer, Rubber	2	26 & 28
20	88623A	Nut, M4-.7 Nylock Insert	4	26 & 28
21	782002	Clamp, Manifold	2	26 & 28
22	61658A	Collar, Brush Driver	2	26 & 28
23	34400B	Gimbal, Motor	2	26 & 28
24	962714	Screw, Gimbal Mount	2	26 & 28
25	38035A	Driver, Pad 13 Gimbal	2	26 & 28
26	88627A	Screw, M6-1 x 40MM PH	2	26 & 28
27	38014A	Splitter, Solution	1	26 & 28
28	34705A	Hose, Solution 6.00" Lg.	2	26 & 28
29	85610A	Screw, 3/8-16 x 2.5" PH	1	26 & 28
30	80183A	Bolt, M8-1.25 x 20 Hex	3	26 & 28
31	69186A	Tab, Latch Brush	1	26 & 28
32	30662A	Brush Housing R.H.	1	26
	30575A	Brush Housing R.H.	1	28
33	55451A	Keeper, Latch	1	26 & 28
34	920248	Nut, 3/8-16 ESNA, JAM	2	26 & 28
35	980645	Washer, 3/8" S.A.E. Flat	2	26 & 28
36	59950A	Wheel, Guide 3 1/2"	1	26 & 28
37	80198A	Nut, M8-1.25 Nylock S.S.	3	26 & 28
38	61926A	Bracket, Head Lift	1	26 & 28
39	88612A	Washer, Lock M10	8	26 & 28
40	88619A	Screw, M12-1.75 x 160MM Hex	1	26 & 28
41	80223A	Nut, M10-1.5 Nylock	8	26 & 28
42	71017A	Label, Moving Parts	2	26 & 28

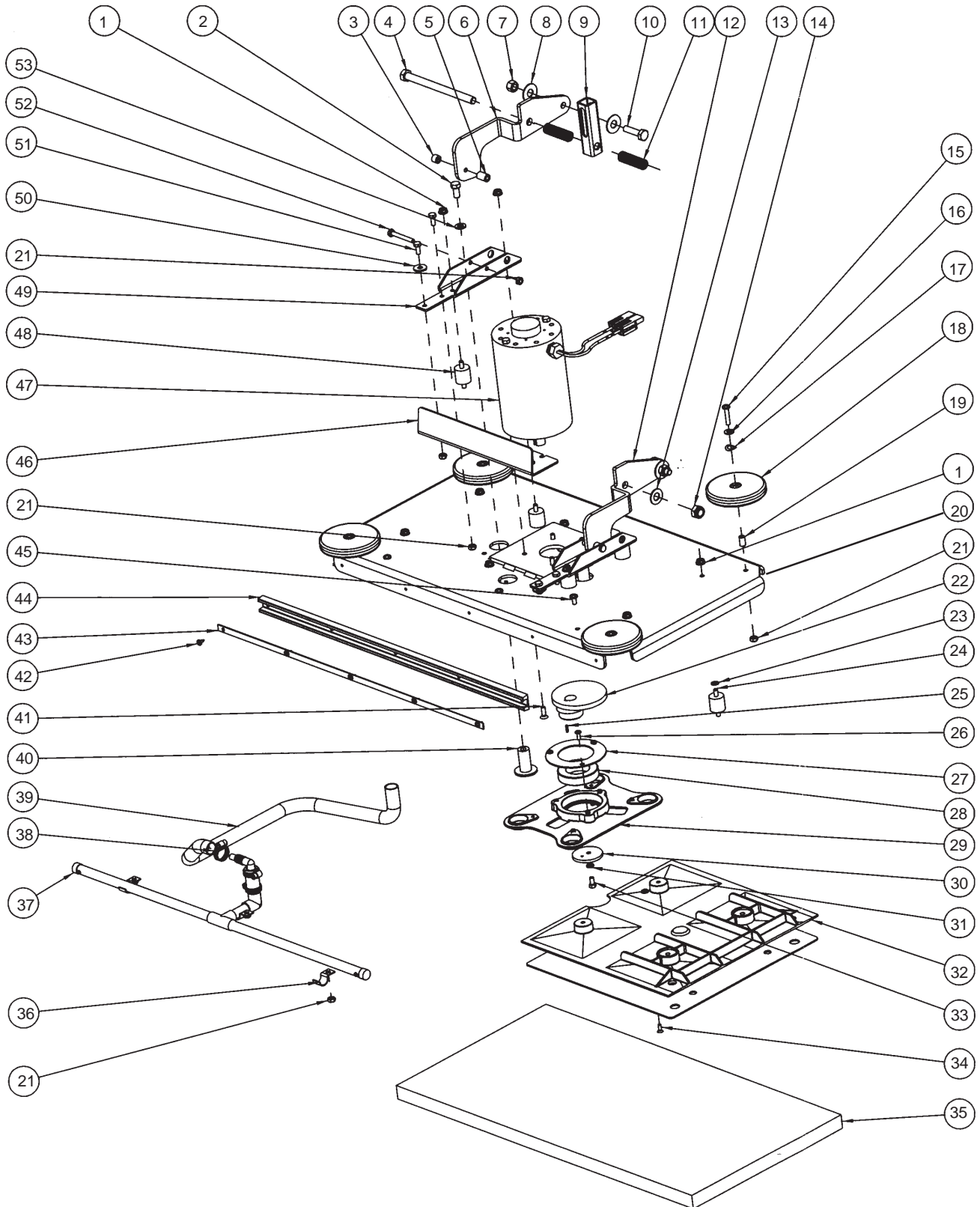
Clarke®
FOCUS II MID-SIZE AUTOSCRUBBER®
 Disc 34
 Brush Head Assembly Drawing 8/08



Clarke®
FOCUS II MID-SIZE AUTOSCRUBBER®
Disc 34
Brush Head Assembly Drawing 8/08

Ref #	Part No.	Description	Qty
1	9097365000	Tube, Actuator	1
2	E04016	Spring	2
3	88647A	Bushing, Flanged	8
4	9097197000	Lever, Bushing Head Lift	4
5	88617A	Screw, M10 x M12 x 16MM SBSH	8
6	980648	Washer, 17/32 x 1 1/16 Plain	1
7	88618A	Nut, M12 Nylon Insert	1
8	41046A	Motor, Brush	2
NI	40261A	Carbon Brushes (set)	1
9	80199A	Nut, M6-1.00 Nylock SS	4
10	57994A	Screw, M6-1 x 20	2
11	61923A	Plate, 34" Brush Wldmt	1
12	980652	Washer, 5/16 Lock	8
13	80183A	Bolt, M8-1.25 x 20 Hex	11
14	964002	Screw, M4-.7 x 16MM PH	4
15	55721A	Latch	1
16	722030	Clamp, Hose	4
17	30583A	Brush Housing L.H.	1
18	30412A	Hose, Solution	1
19	59856A	Washer, Rubber	2
20	782002	Clamp, Manifold	2
21	88623A	Nut, M4-.7 Nylock Insert	4
22	61658A	Collar, Brush Driver	2
23	34400B	Gimbal, Motor	2
24	962714	Screw, Gimbal Mount	2
25	38034A	Driver, Pad 17 Gimbal	2
26	88627A	Screw, M6-1 x 40MM PH	2
27	38014A	Splitter, Solution	1
28	30453A	Hose, Clear Vinyl	2
29	85610A	Screw, 3/8-16 x 2.5" PH	1
30	69186A	Tab, Latch Brush	1
31	30584A	Brush Housing R.H.	1
32	55451A	Keeper, Latch	1
33	980638	Washer, 3/8 Lock	1
34	920248	Nut, 3/8-16 ESNA, JAM	2
35	980645	Washer, 3/8" S.A.E. Flat	2
36	59950A	Wheel, Guide 3 1/2"	1
37	80198A	Nut, M8-1.25 Nylock S.S.	3
38	61926A	Bracket, Head Lift	1
39	88612A	Washer, Lock M10	8
40	88619A	Screw, M12-1.75 x 160MM Hex	1
41	80223A	Nut, M10-1.5 Nylock	8
42	71017A	Label, Moving Parts	2

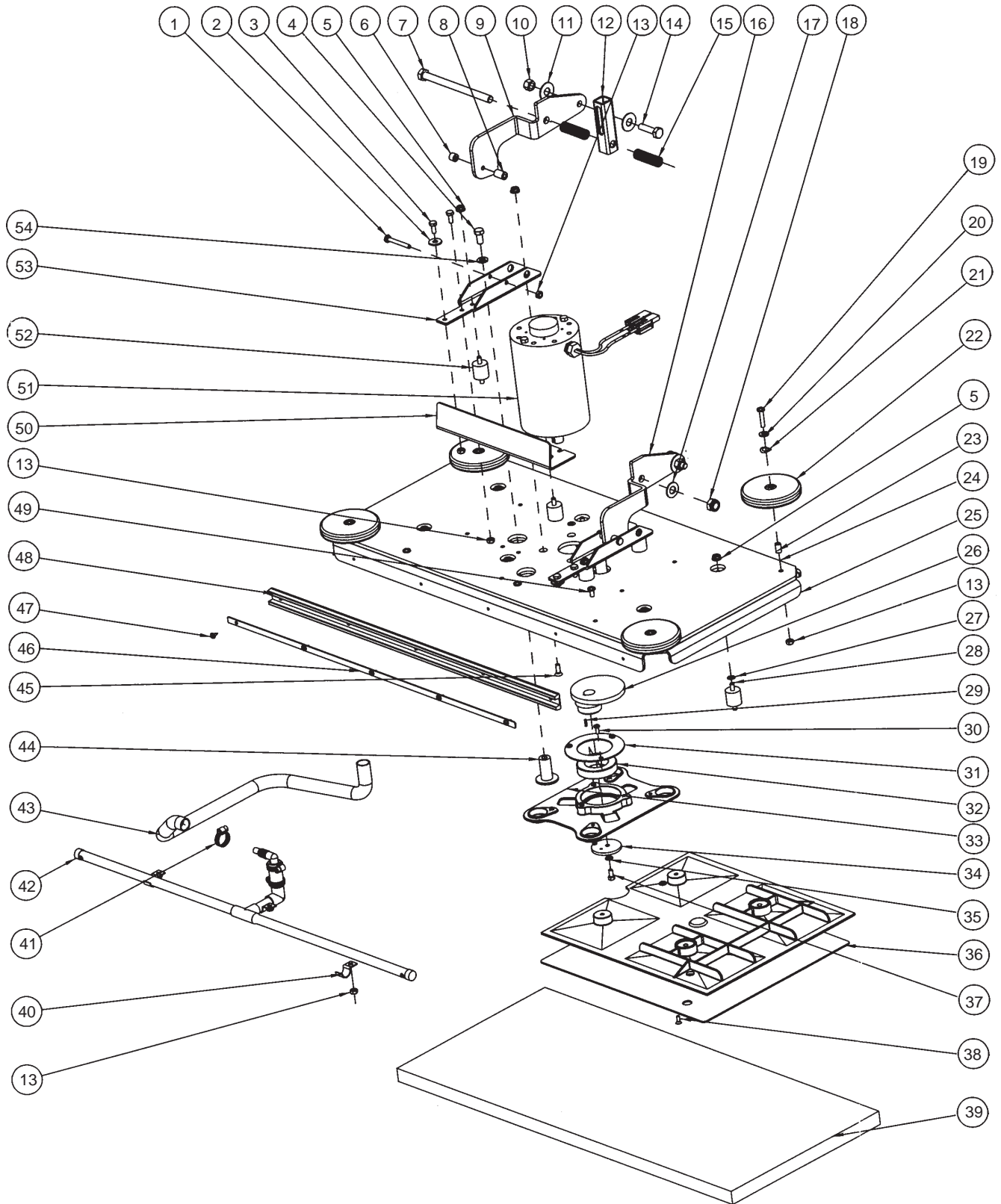
Clarke®
FOCUS II MID-SIZE AUTOSCRUBBER®
BOOST 28
Brush Head Assembly Drawing 6/08



Clarke®
FOCUS II MID-SIZE AUTOSCRUBBER®
BOOST 28
Brush Head Assembly Drawing 8/08

Ref #	Part No.	Description	Qty
1	81220A	Nut, Serrated Flange	12
2	80103A	Bolt, 3/8-24 x 1.0 Hex	2
3	30671A	Spacer, Nylon	2
4	88619A	Screw, M12-1.75 x 160MM Hex	1
5	30670A	Spacer, Nylon	2
6	61936A	Arm, Lift, Left	1
7	80162A	Nut, M10 Hex	2
8	87607A	Washer, Nylon 1.25 x .52 x .06 Flat	4
9	9097365000	Tube, Actuator	1
10	80054A	Screw, M10-1.5 x 40MM	2
11	E04016	Spring	2
12	61935A	Arm, Lift, Right	1
13	980648	Washer, 17/32 x 1 1/16 Plain	1
14	88618A	Nut, M12 Nylon Insert	1
15	85301A	Screw, 1/4-20 x 1 1/4 CRPH	4
16	980646	Washer, 1/4" Flat	4
17	80317A	Washer, Bowed .455 ID x .740 OD	4
18	30048A	Guide, Wheel	4
19	61782A	Sleeve, Guide Wheel	4
20	61729B	Plate, Upper 28"	1
21	81217A	Nut, 1/4-20 Hex ESNA	13
22	61753A	Eccentric	1
23	980614	Washer, 1/4" Starlock, Ext.	8
24	11063A	Rubber, Isolator Kit	1
25	925589	Pin, Roll	1
26	84237A	Screw, 10-32 x .50 PH	3
27	61775A	Retainer, Bearing	1
28	50736A	Bearing	1
29	30663A	Plate, Driver	1
30	61724A	Retainer, Eccentric	1
31	980657	Washer, Lock 1/4	1
32	30674A	Plate, Flex Asm. 28"	2
33	85737A	Screw, 1/4-20 x 1/2 HHCS	1
34	84236A	Screw, #10-32 x .50 FH SS CR	4
35	997001	Pad, Red (14 x 28)	1
36	782002	Clamp, Manifold	3
37	10309A	Tube, Drip 28"	1
38	722030	Clamp, Hose	1
39	30680A	Hose, Solution (Flex)	1
40	61828S	Stud Stabilizer	2
41	962098	Screw, 1/420 x 3/4 FH	4
42	80296A	Screw, #10-24 x 7/16 Type 23	5
43	61425A	Retainer, Bumper	1
44	30206A	Bumper	1
45	85395A	Screw, 1/4-20 x 1/2" PH	3
46	61938A	Guard, Front	1
47	40790B	Motor, 24VDC	1
NI	11055A	Carbon Brushes, Motor (set)	1
48	11062A	Rubber Mounting Kit	1
49	61733B	Bracket, Lift	2
50	170860	Washer, Flat 5/16	2
51	962139	Screw, 1/4-20 x 6.25 Hex Cap	4
52	80298A	Screw, 1/4-20 x 2.00 Hex Cap	2
53	980638	Washer, 3/8 Lock	2

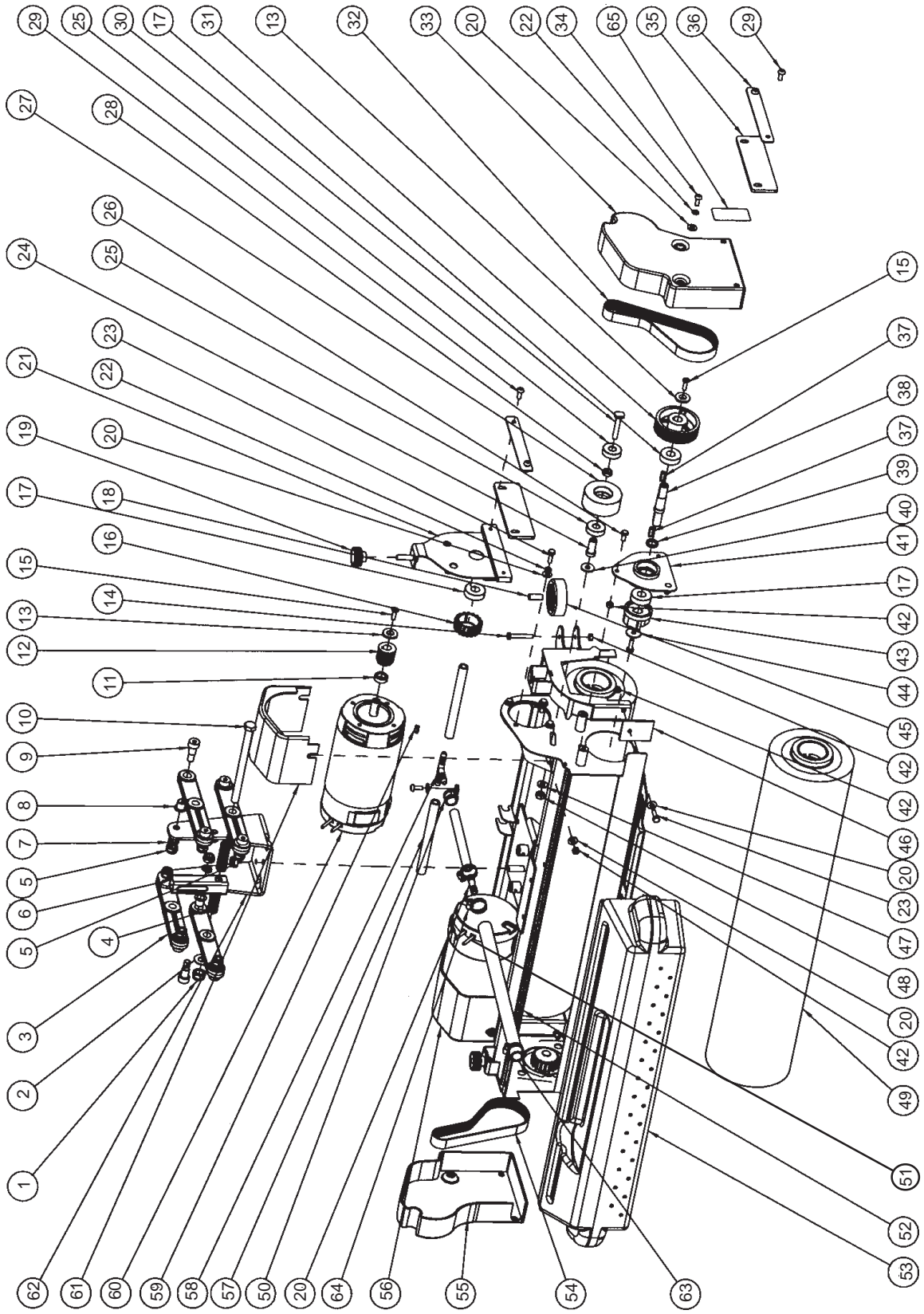
Clarke®
FOCUS II MID-SIZE AUTOSCRUBBER®
BOOST 32
Brush Head Assembly Drawing 6/08



Clarke®
FOCUS II MID-SIZE AUTOSCRUBBER®
BOOST 32
Brush Head Assembly Drawing 8/08

Ref #	Part No.	Description	Qty
1	80298A	Screw, 1/4-20 x 2.00 Hex Cap	2
2	170860	Washer, Flat 5/16	2
3	962139	Screw, 1/4-20 x .625 Hex Cap	4
4	80103A	Bolt, 3/8-24 x 1.0 Hex	2
5	81220A	Nut, Serrated Flange	12
6	30671A	Spacer, Nylon	2
7	88619A	Screw, M12 Nylon Insert	1
8	30670A	Spacer, Nylon	2
9	61936A	Arm, Lift, Left	1
10	80162A	Nut, M10 Hex	2
11	87607A	Washer, Nylon 1.25 x .52 x .06 Flat	4
12	9097365000	Tube, Actuator	1
13	81217A	Nut, 1/4-20 Hex ESNA	13
14	80054A	Screw, M10-1.5 x 40MM	2
15	E04016	Spring	2
16	61935A	Arm, Lift Right	1
17	980648	Washer, 17/32 x 1 1/16 Plain	1
18	88618A	Nut, M12 Nylon Insert	1
19	85301A	Screw, 1/4-20 x 1 1/4 CRPH	4
20	980646	Washer, 1/4" Flat	4
21	80317A	Washer, Bowed .455 ID x .740 OD	4
22	30048A	Guide, Wheel	4
23	61782A	Sleeve, Guide Wheel	4
24	60123A	Weight, Upper 32	1
25	60158A	Plate, Upper Main	1
26	61753A	Eccentric	1
27	980614	Washer, 1/4" Starlock, Ext.	8
28	11063A	Rubber Isolator Kit	1
29	925589	Pin, Roll	1
30	84237A	Screw, 10-32 x .50 P.H.	3
31	61775A	Retainer, Bearing	1
32	50736A	Bearing	1
33	30663A	Plate, Driver	1
34	61724A	Retainer, Eccentric	1
35	980657	Washer, Lock 1/4	1
36	30664A	Plate, Flex Asm. 32"	2
37	85737A	Screw, 1/4-20 x 1/2 HHCS	1
38	84236A	Screw, #10-32 x 5.0 FH SS CR	4
39	997004	Pad, Red 32"	1
40	782002	Clamp, Manifold	3
41	722030	Clamp, Hose	1
42	10343A	Tube, Drip 32"	1
43	30680A	Hose, Solution (Flex)	1
44	61928A	Stud Stabilizer	2
45	962098	Screw, 1/4-20 x 3/4 F.H.	4
46	61327A	Retainer, Bumper	1
47	80296A	Screw, #10-24 x 7/16 Type 23	5
48	30306A	Bumper, Front	1
49	85395A	Screw, 1/4-10 x 1/2" P.H.	3
50	61938A	Guard, Front	1
51	40790B	Motor, 24VDC	1
NI	11055A	Carbon Brushes (set)	1
52	11062A	Rubber Mounting Kit	1
53	61733B	Bracket, Lift	2
54	980638	Washer, 3/8 Lock	2

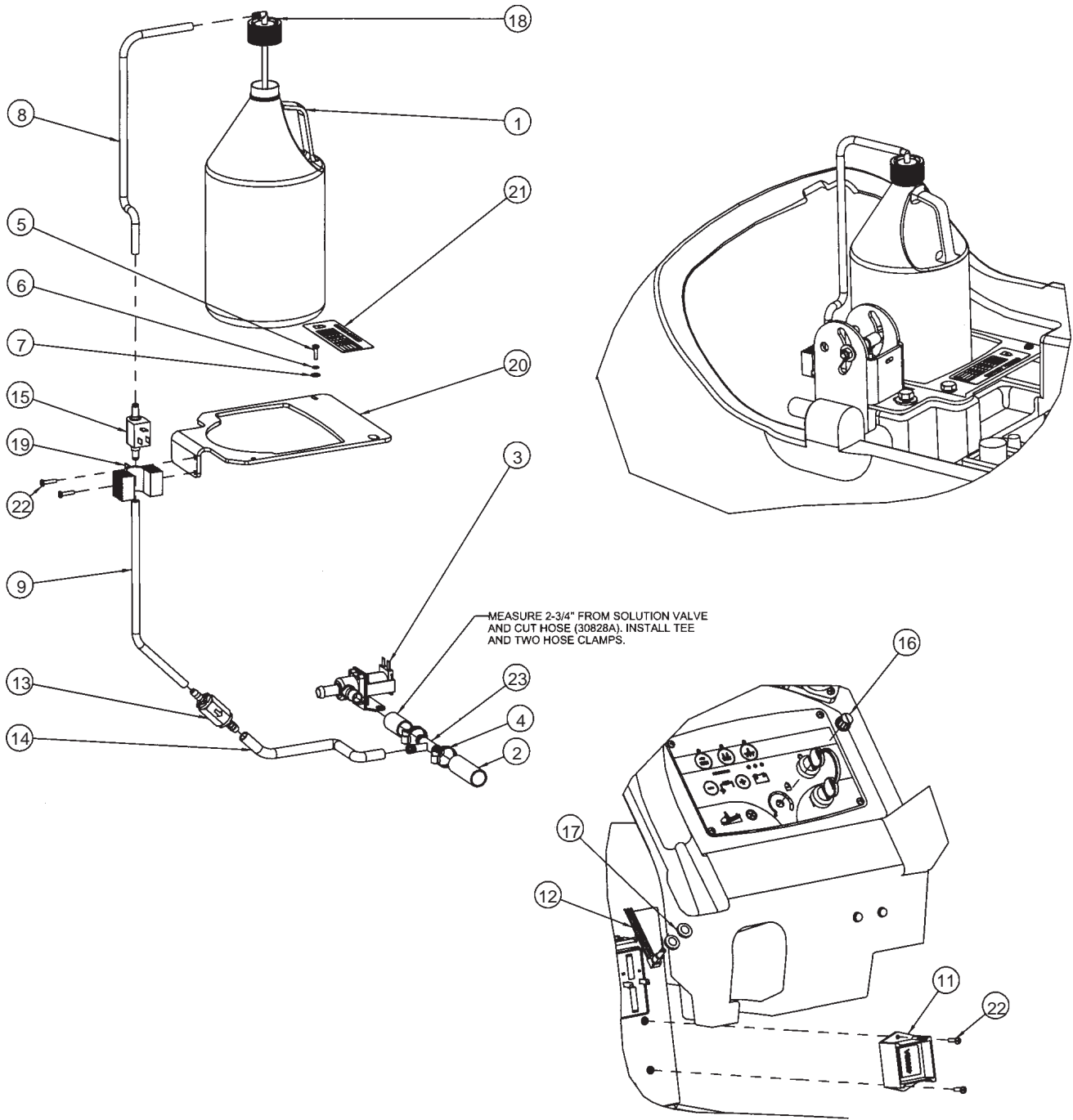
Clarke®
FOCUS II MID-SIZE AUTOSCRUBBER®
 Cylindrical 28
 Brush Head Assembly Drawing 8/08



Clarke®
FOCUS II MID-SIZE AUTOSCRUBBER®
Cylindrical 28
Brush Head Assembly Drawing 8/08

Ref #	Part No.	Description	Qty
1	88618A	Nut, M12 Nylon Insert	1
2	980648	Washer, 17/32 x 1 1/16 Plain	1
3	9097197000	Lever, Brush Head Lift	4
4	E04016	Spring	2
5	80223A	Nut, M10-1.5 Nylock	9
6	9097365000	Tube, Actuator	1
7	88612A	Washer, Lock M10	8
8	88647A	Bushing, Flanged	8
9	88617A	Screw, M10 x M12 x 16MM SBSH	8
10	88619A	Screw, M12-1.75 x 160MM Hex	1
11	9095754000	Spacer	2
12	9095758000	Pulley	2
13	1455828000	Spacer	4
14	88626A	Screw, M6-1 x 40MM Hex	2
15	88642A	Screw, M6-1.0 x 20MM Flat HD Socket	4
16	56407551	Hub Brush	2
17	51225A	Bearing, 6292 Sealed	6
18	9095710000	Spacer	2
19	9095964000	Knob, M8	2
20	87026A	Washer, 1/4 Flat SS	19
21	9095756000	Support Brush	2
22	170892	Washer, Lock 1/4	12
23	80195A	Screw, M6 x 1.00 x 20MM Hex SS	12
24	9095765000	Bushing, Collar	2
25	51126A	Bearing, 6201	4
26	80214A	Screw, M6 x 1 x 12	6
27	9095762000	Roller Belt Tensioner	2
28	9095764000	Spacer	2
29	964007	Screw, M6 x 1.00 x 16MM Pan Head	9
30	9095766000	Pin	2
31	9095759000	Pulley, Poly-V	2
32	9095760000	Belt, Poly-V	1
33	9095724000	Cover, Crankcase Belt Right	1
34	80208A	Screw, M6 x 1.00 x 10MM Pan Head	4
35	9095770000	Guard, Splash	4
36	9095769000	Plate, Splash Guard Fix	4
37	88646A	Key, Square M5 x 20MM	4
38	9095755000	Pin, Brush Pulley	2
39	1461232000	Spacer	2
40	170860	Washer, Flat 5/16	2
41	9095757000	Support, Brush Pulley	2
42	80199A	Nut, M6-1.00 Nylock SS	15
43	9095728000	Hub, Brush	2
44	87039A	Washer, Fender 1/4"	2
45	L08602460	Roller, Bumper	2
46	9095752000	Guard, Splash	2
47	980651	Washer, 5/16 Flat	2
48	80198A	Nut, M8-1.25 Nylock SS	2
49	39721A	Brush, Cylindrical 28" Poly	2
50	54779A	Clamp, P 5/8 Steel	1
51	52414A	Union, 3/8 Straight Hosebarb	1
52	9095751000	Frame, Cyl Deck	1
53	9096225000	Container, Dirt	1
54	9095761000	Belt, Poly-V	1
55	9095725000	Cover, Crankcase Belt Left	1
56	9095803000	Crankcase, Motor Protection Left	1
57	30835A	Hose, Clear	3
58	53181A	Hosebarb, 3/8 T	1
59	88645A	Key, Square M5 x 15MM	2
60	41086A	Motor, Electric 600W 24V	2
61	9095802000	Crankcase, Motor Protection Right	1
62	61926A	Bracket, Head Lift	1
63	30680A	Hose, Solution	1
64	722030	Clamp, Hose	3
65	71017A	Label, Moving Parts	2

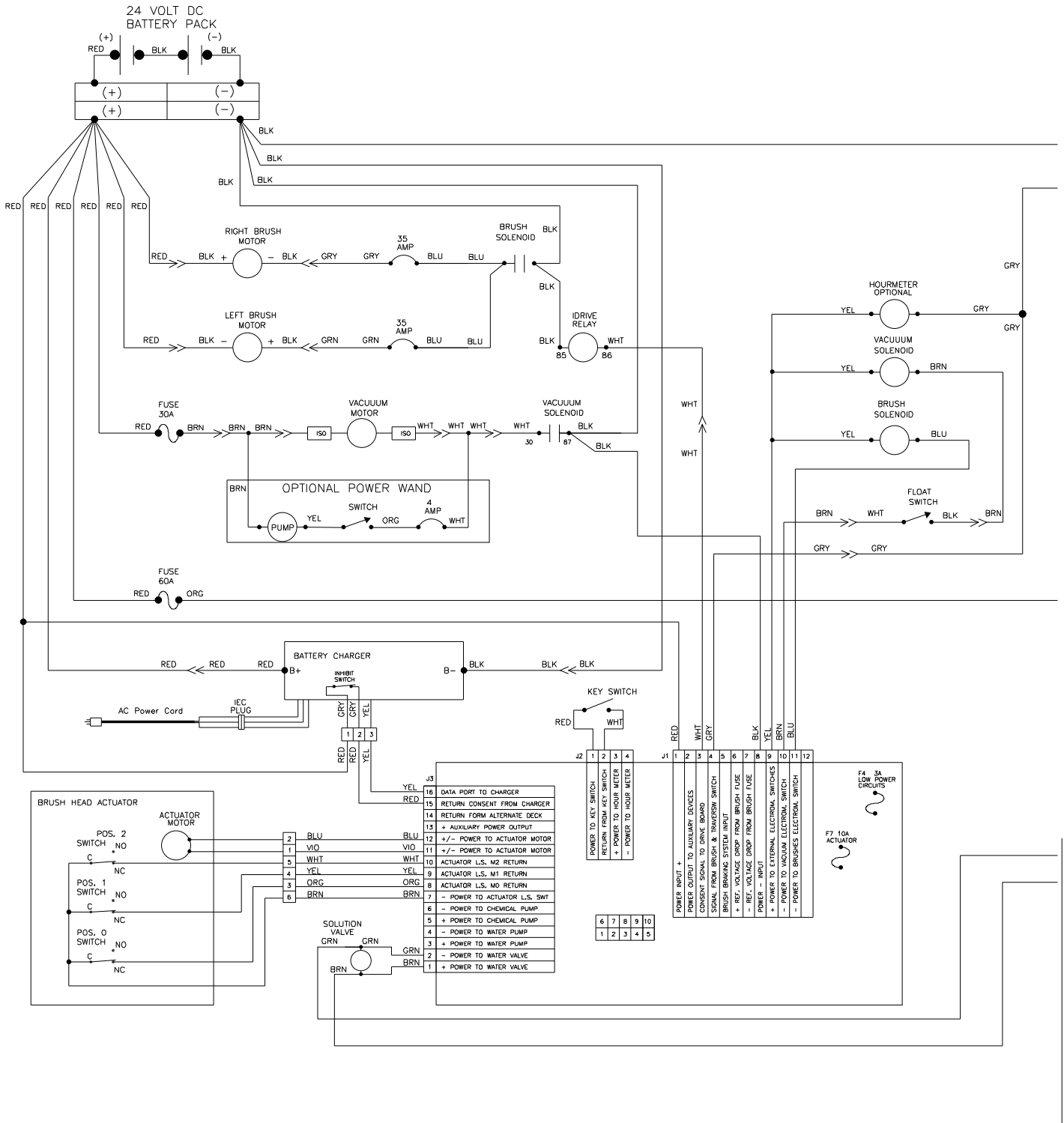
Clarke®
FOCUS II MID-SIZE AUTOSCRUBBER®
 Chemical Mixing Kit Drawing 8/08



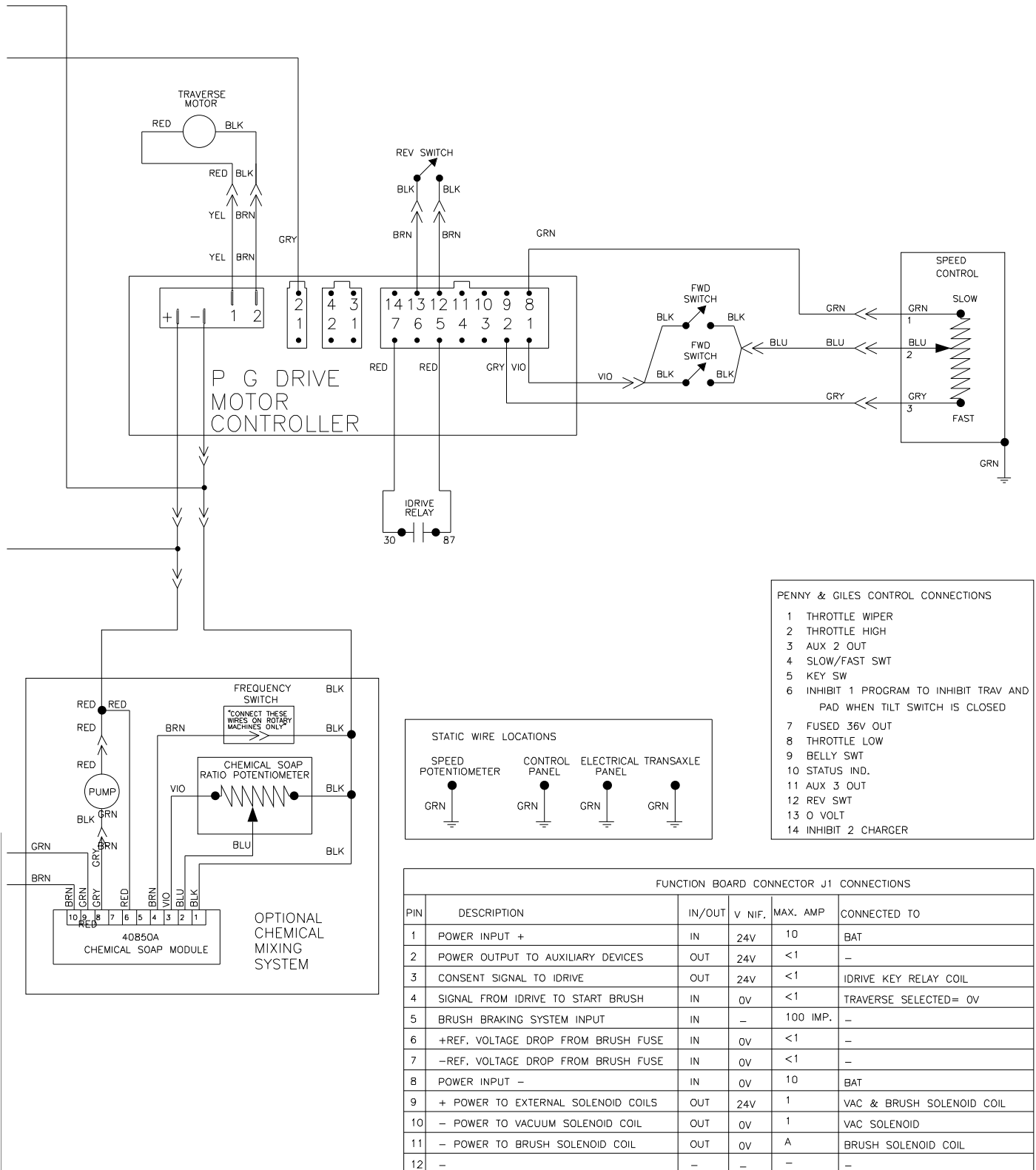
Clarke®
FOCUS II MID-SIZE AUTOSCRUBBER®
Chemical Mixing Kit Parts List 8/08

Ref #	Part No.	Description	Qty
1	Ref.	Cleaning Solution Bottle	1
2	Ref.	From Frame Asm.	1
3	Ref.	Valve From Frame Asm.	1
4	722030	Clamp, Hose	2
5	964002	Screw, M4-.7 x 16MM PH	1
6	980621	Washer, External Tooth Lock	1
7	980982	Washer, #10 SAE Flat	1
8	39725A	Hose, 1/4" ID x 15.25 Clear	1
9	39726A	Hose, 1/4" ID x 11.50 Clear	1
10	39727A	Hose, 3/8 x 11.5 Clear	1
11	40850A	Module, Chemical	1
12	41084A	Harness, Chemical	1
13	53186A	Tie, Wire (not illustrated)	10
14	53719A	Valve, Check	1
15	53721A	Pump, Chemical	1
16	53736A	Knob, Adjustment	1
17	87618A	Washer, Flat	2
18	54778A	Adapter, Cap 38MM	1
19	61772A	Bracket, Pump	1
20	61954A	Support, Bottle	1
21	71489A	Label, Chemical Settings	1
22	85614A	Screw, 8-32 x 3/4 PH	4
23	88644A	Tee, Reducing 3/8 to 1/2	1

Clarke®
FOCUS II Midsize Autoscrubber
Electrical Schematic (pages 56-57) 5/08



Clarke®
FOCUS II Midsize AutoScrubber
Electrical Schematic (pages 56-57) 5/08



Clarke®
FOCUS II Midsize Autoscrubber
Connection Diagram 8/08

