



**Sander**  
**1600 / 1600DC**  
**Section II**  
**Parts and Service Manual**

Order Parts Here:




(70202A)

---

---

## MAINTENANCE


 **WARNING: Maintenance must be done by authorized personnel only.**

 **CAUTION: Keep all adjustments according to specifications.**

### Maintenance Instructions

Return the machine to a American Sander Technology Authorized Service Location every 12 months for maintenance inspections.

### Switches

 **WARNING: All electrical repairs must be done by authorized personnel only. The machine must be tested after electrical repairs to make sure it is safe to operate. Disconnect the electrical plug from the electrical outlet before doing any electrical repairs.**

The start and stop switch has an interlock which prevents the contacts from being closed. If any part of the switch is not operating, replace the part. If any part of the electrical system of the machine is not operating or is damaged, replace the part. Make sure all connections are tight. Return the machine to the American Sander Technology Service Branch or a American Sander Technology Authorized Service Center for electrical repairs or testing.

### Maintenance Of The Motor

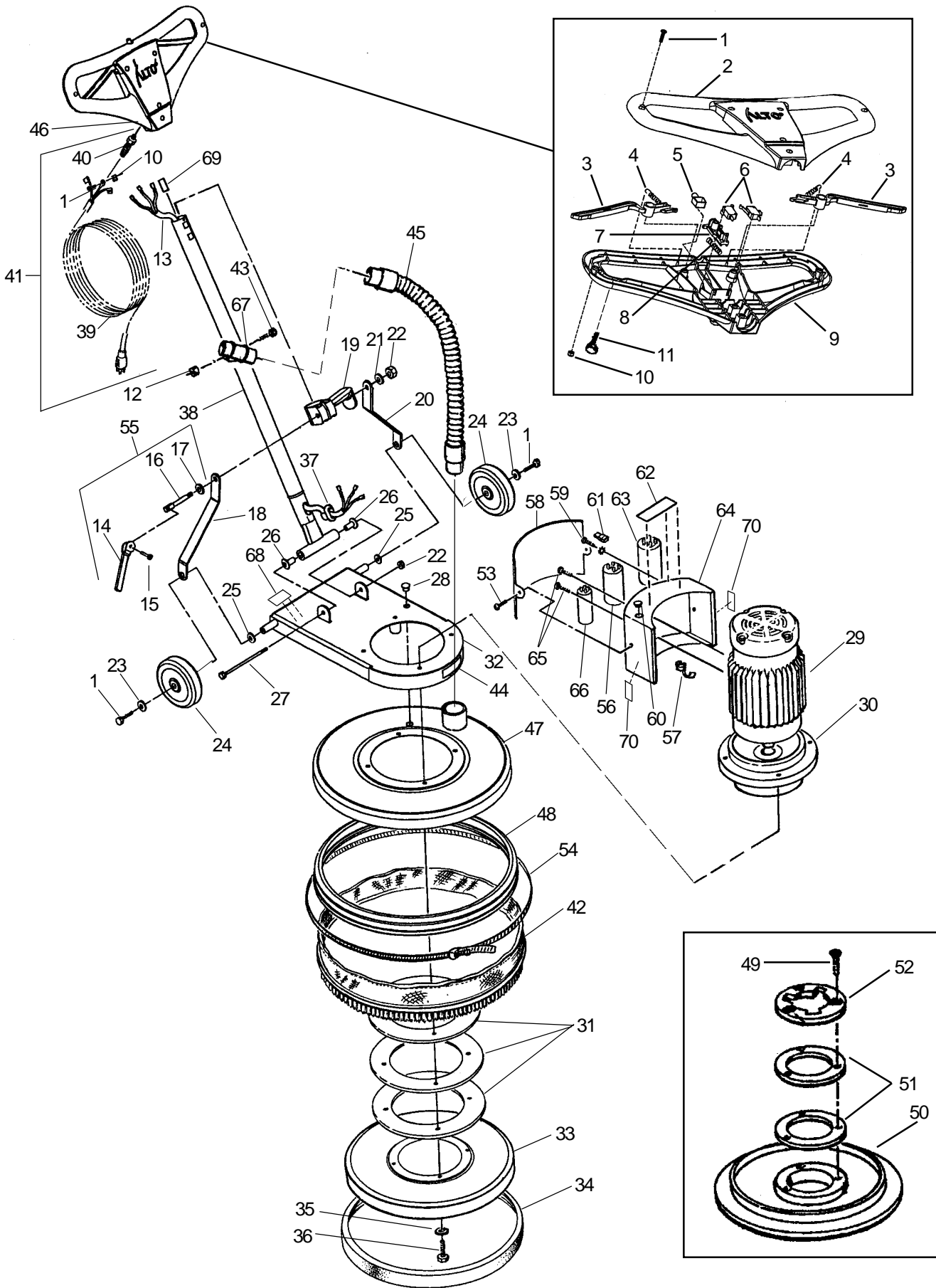
Induction type motors do not require motor brushes.

If repairs to the gear unit or motor are needed, do not disassemble the gears and motor. Return the machine to the nearest American Sander Technology Service Branch or American Sander Technology Authorized Service Center.

For safe operation, and longer life to your American Sander Technology product, use only American Sander Technology parts.

**NOTE: The grease (503802) for the gear box needs to be changed every year. The Sander 1600 and 1600DC require 8 oz. of grease.**

**AMERICAN SANDER TECHNOLOGY**  
**Sander 1600 / 1600DC**  
**Assembly Drawing 4/01**



**AMERICAN SANDER TECHNOLOGY**  
**Sander 1600 / 1600DC**  
**Assembly Drawing Parts List 4/01**

Ref.	Part No.	Description	Qty.
1	85383A	Screw, 10-32 x 3/4	10
2	50779A	Handle, Front	1
3	50798A	Lever, Switch	2
4	50820A	Spring, Extension	2
5	50806A	Button, Interlock	1
6	40109A	Switch	2
7	50799A	Interlock, Main	1
8	50821A	Spring, Compression	1
9	50780A	Handle, Rear	1
10	920722	Nut, 10-32 ESNA	7
11	962957	Screw	2
12	920110	Nut 5/16-18 ESNA (1600DC only)	1
13	10092A	Cord, Interconnect	1
14	461404	Cam, Locking (included in 55)	1
15	925592	Roll Pin, 1/4 (included in 55)	1
16	441301	Bolt, Locking Cam (included in 55)	1
17	980349	Washer, Wear Cam	1
18	50791A	Arm Link, RH	1
19	50781A	Clamp, Handle	1
20	50792A	Arm Link, LH	1
21	980645	Washer, Flat 3/8	1
22	920342	Nut, 3/8 -16 ESNA	2
23	87035A	Washer, Fender #10 SS	2
24	50793A	Wheel, 5"	2
25	87050A	Washer, 5/8 Nylon	2◆
26	50794A	Bushing, Nylon	2
27	80087A	Screw, 3/8 -16 x 6	1
28	57120A	Plug, Button	1
29	40138A	Motor, 1.5 HP	1
30	50979A	Gearbox	1
31	68805A	Weight, Machine (1600DC only)	3
32	50985A	Frame, Main	1
33	50987A	Shield, Brush	1
34	50782A	Bumper	1
35	980652	Washer, Lock 5/16	4
36	85817A	Screw, 5/16-18 x 2 (1600)	4
37	85818A	Screw, 5/16-18 x 2 1/2 (1600DC)	4
38	50796A	Bushing, Cord	1
39	50795A	Tube, Handle	1
40	42207A	Power Cord	1
41	50797A	Relief, Strain (included w/41)	1
42	50991A	Cord Assembly (includes 40)	1
43	18446A	Skirt Assembly (1600DC only)	1
44	85815A	Screw, 5/16-18 x 1 1/2 (1600DC only)	1
45	77375A	Label	1
46	30408B	Hose (1600DC only)	1
47	82100A	Lock nut (not illustrated)	1
48	50989A	Shield w/connector (1600DC only)	1
49	50783A	Bumper (1600DC only)	1
50	84100A	Screw, 14-10 x 1 3/4 (1600DC only)	6
51	*	Driver Pad	Ref.
52	58530A	Spacer Pad Driver (1600DC only)	2
53	*	Plate, Drive	Ref.

Ref.	Part No.	Description	Qty.
53	962727	Screw, 8-32 x 1/2	2
54	50832A	Clamp, Hose (1600DC only)	1
55	441401	Cam Assembly (Incl. 14, 15, 16)	(1)
56	41311A	Capacitor, Run	1
57	51523A	Bushing, Strain Relief	1
58	62667A	Cover, Enclosure	1
59	85833A	Screw, Ground	1
60	57165A	Plug, Nylon	1
61	170667	Wire Nut	2
62	77195A	Label, UL Fire	1
63	41312A	Capacitor, Start	1
64	22906A	Enclosure, Motor	1
65	962892	Screw, 1/4-20 x 3/4	2
66	47409A	Switch, Start	1
67	10304A	Adapter Hose (1600DC only)	1
68	73285A	Label, Warning	1
69	50930A	Retainer, Cord	1
70	77234A	Warning, Heavy	2

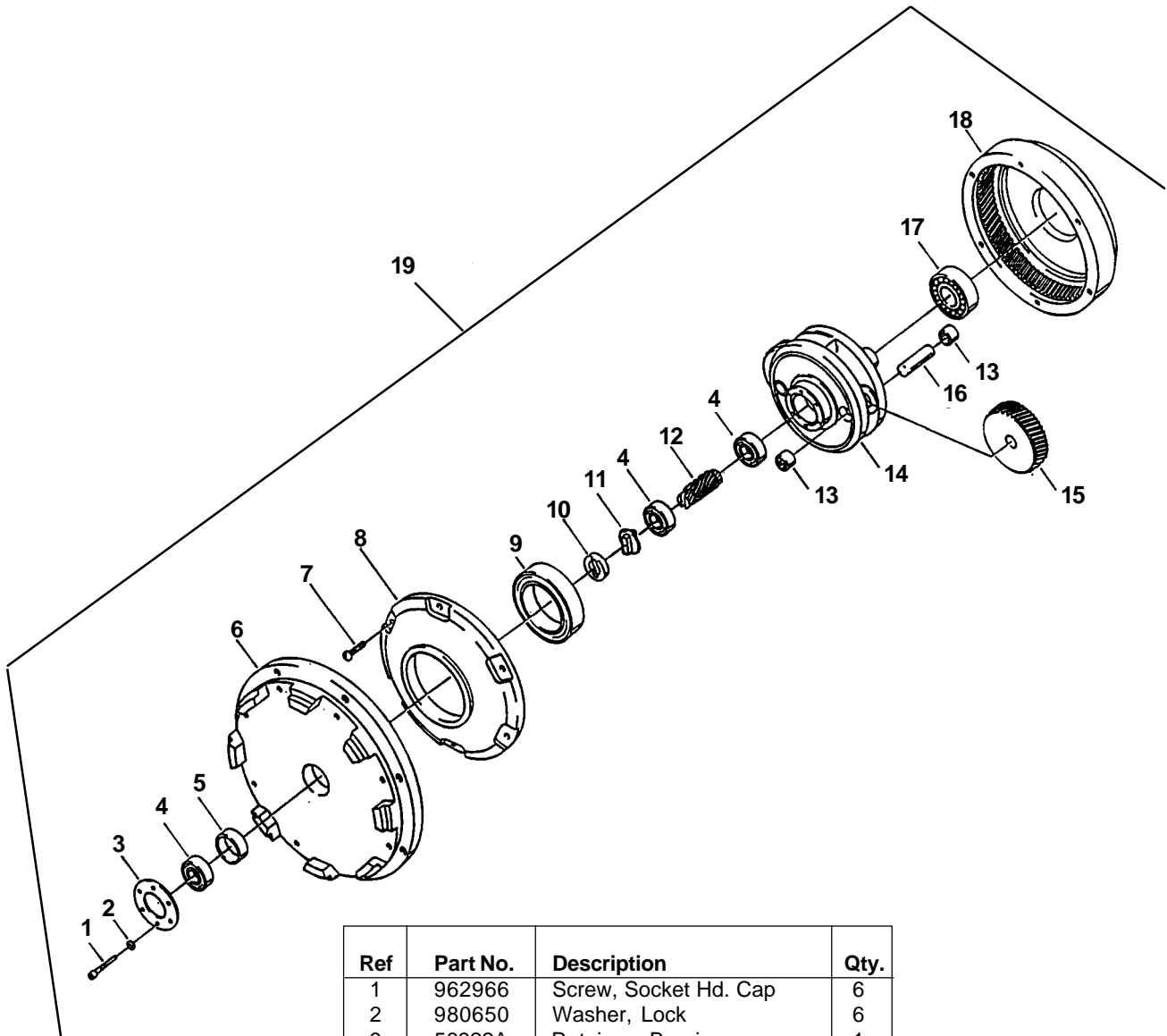
**NOTE:** ◆ indicates a change has taken place since last publication of this manual

**Optional Accessories Available**

Part No.	Description
37007A	Pad Driver
460215	Sanding Plate
674117	1 1/2" x 50' Bulk Hose
632418	1 1/2" x Hose Cuffs (for above hoses)
682408	1 1/2" Hose Coupler
639804	Wand Assembly
638820	Tool-Felt Shod. 14"
674114	Hose, Vac 1 1/2' x 10'
634118	Hose, Vac 1 1/2" x 15'

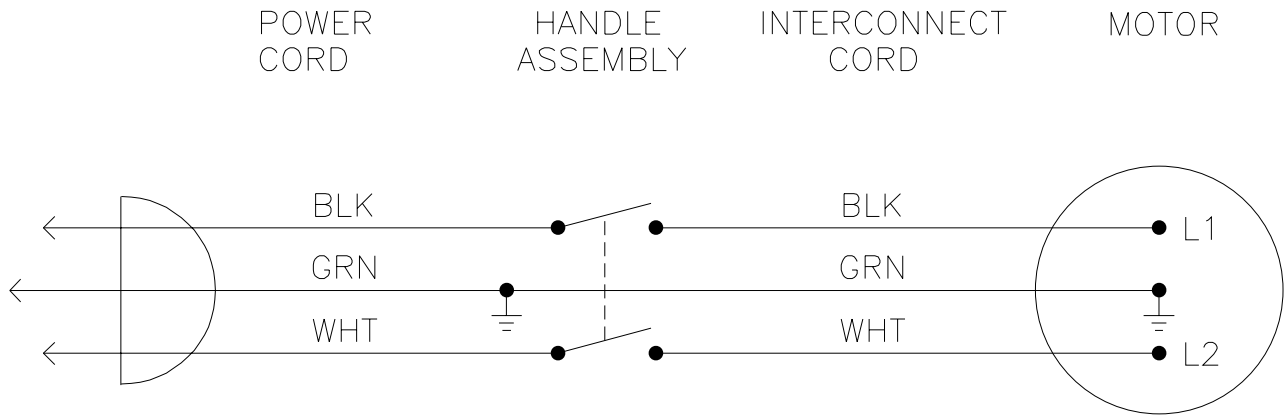
\* See Optional Accessories Table Above.

**AMERICAN SANDER TECHNOLOGY**  
**Sander 1600 / 1600DC**  
**Gearbox Assembly and Parts List**

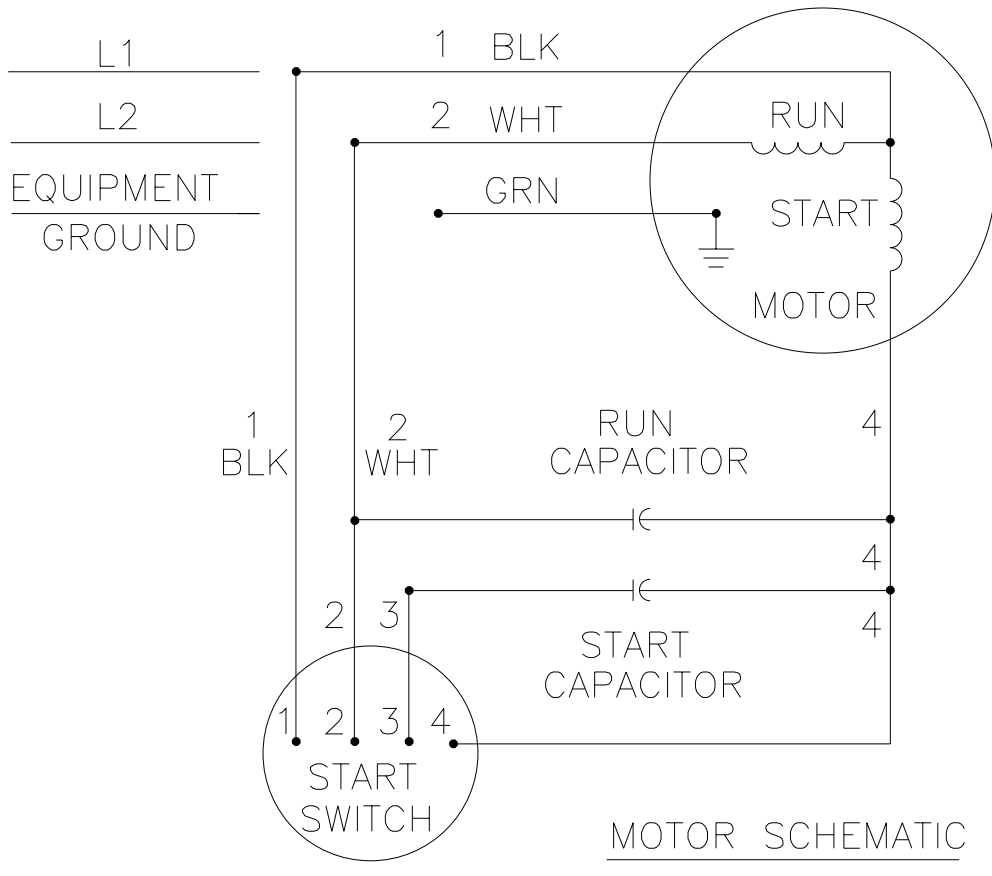


Ref	Part No.	Description	Qty.
1	962966	Screw, Socket Hd. Cap	6
2	980650	Washer, Lock	6
3	56922A	Retainer, Bearing	1
4	902606	Bearing, Ball	3
5	58520A	Spacer, Sleeve	1
6	N/A	Endshield	1
7	962794	Screw 10-24" x 1"	6
8	54858A	Cover, Housing	1
9	902736	Bearing	1
10	58314A	Retainer	1
11	442473	Coupling	1
12	58313A	Gear, Pinion	1
13	902737	Bearing, Needle	6
14	N/A	Cage	1
15	54408A	Gear, Idler	3
16	58312A	Shaft	3
17	902573	Bearing, Ball	1
18	54856A	Housing, Drive	1
19	50979A	Gearbox Asm., Complete	(1)
NI	503802	Grease, 11.5 oz	8oz.

**AMERICANSANDER TECHNOLOGY**  
**Sander 1600 / 1600DC**  
**Wiring Schematic 6/00**



**AMERICANSANDER TECHNOLOGY**  
**Sander 1600 / 1600DC**  
**Motor Schematic 3/00**



**⚠ WARNING: All electrical repairs must be performed by qualified personnel only.**