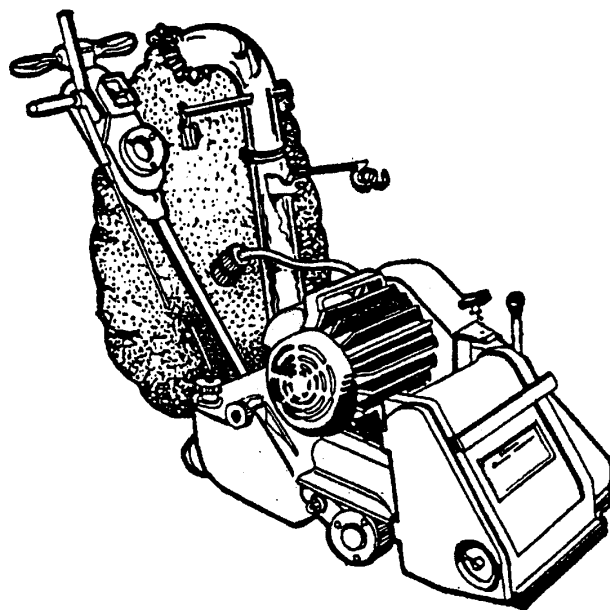


Order Parts Here:



**Service  
Manual**



**Classic 8  
Belt Sander**

## READ THIS BOOK

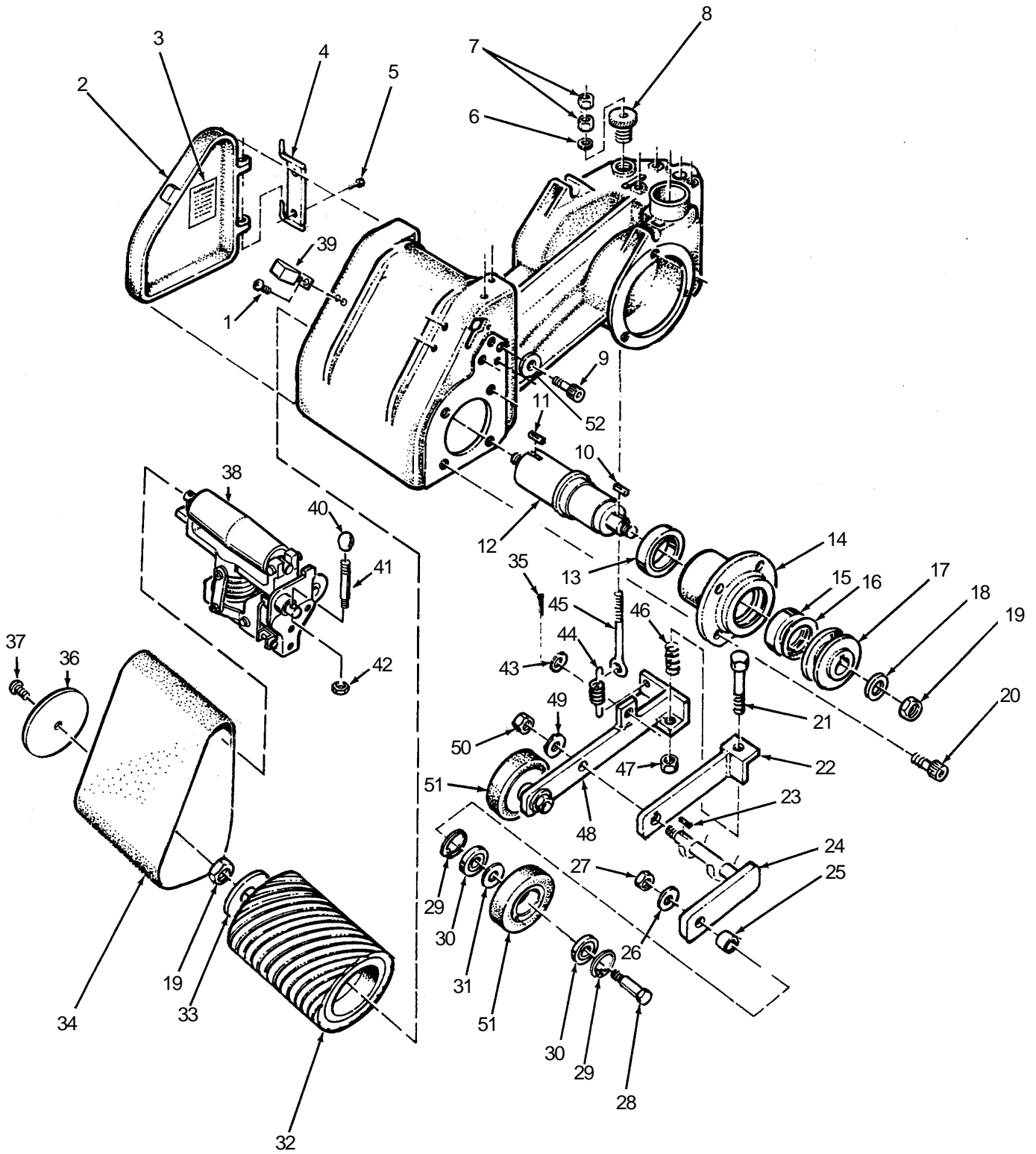
This book has important information for the use and safe operation of this machine. Failure to read this book prior to operating or attempting any service or maintenance procedure to your ALTO machine could result in injury to you or to other personnel; damage to the machine or to other property could occur as well. You must have training in the operation of this machine before using it. If your operator cannot read English, have this manual explained fully before attempting to operate this machine.

Si Ud. o sus operadores no pueden leer el Inglés, se hagan explicar este manual completamente antes de tratar el manejo o servicio de esta máquina.

All directions given in this book are as seen from the operator's position at the rear of the machine.

For new books write to: ALTO U.S. INC., 2100 Highway 265, Springdale, Arkansas 72764.

AMERICAN SANDERS TECHNOLOGY  
American Classic Sander 8  
Assembly Drawing #1 11/00



**AMERICAN SANDERSTECHNOLOGY**  
**American Classic Sander 8**  
**Assembly Parts List #1 11/00**

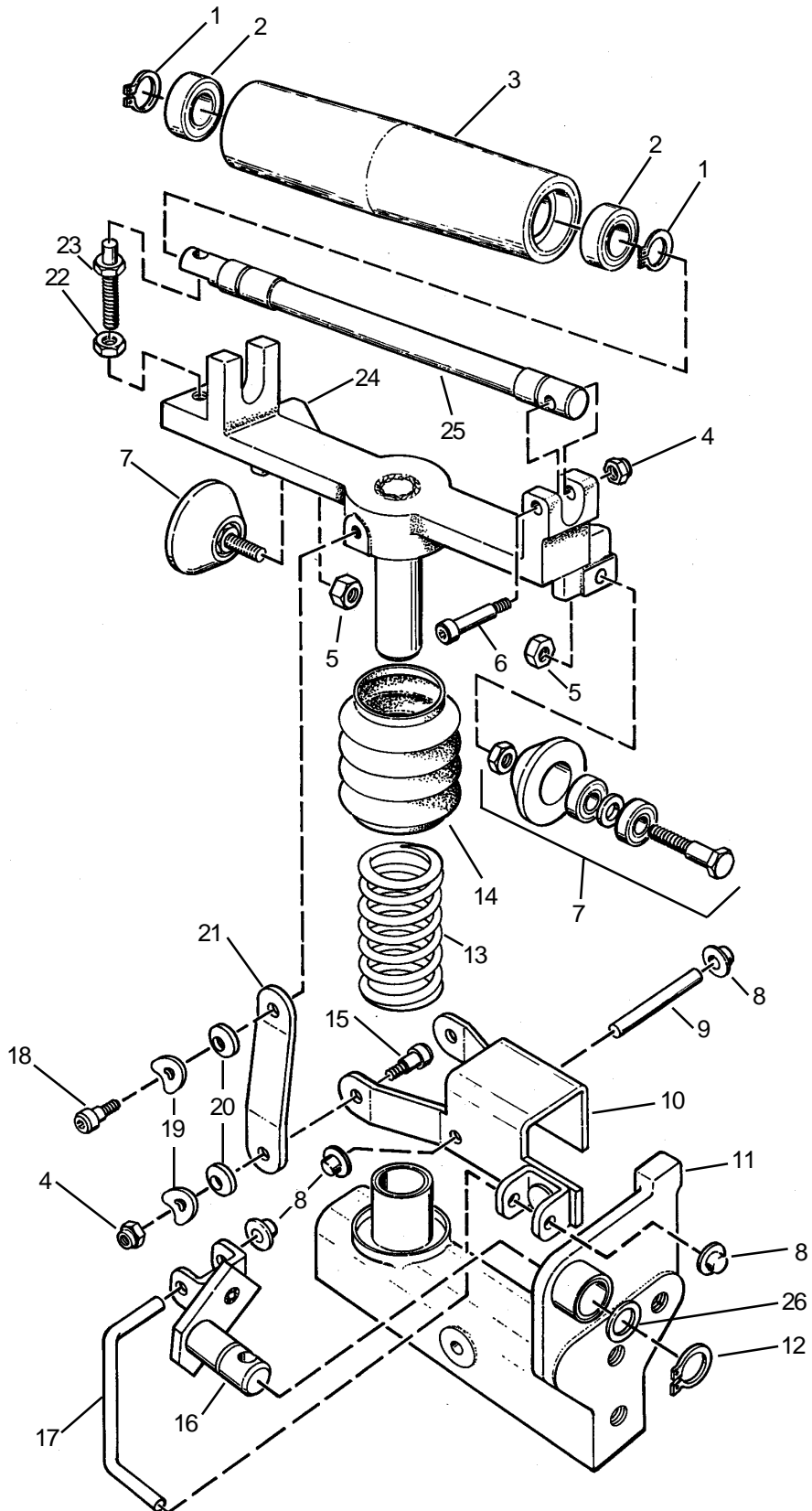
Ref No.	Part No	Description	Qty
1	962727	Screw, 8-32 x 1/2	2
2	22300A◆	Door Access	1
3	77057A	Label Belt Tracking Adj.	1
4	64506C◆	Hinge Access Door	1
5	85386A	Screw 10 - 24 x 5/8	2
6	980645	Washer 3/8	1
7	920260	Nut 3/8- 16	2
8	65307A	Knob Sanding Pressure	1
9	86112A	Screw 3/8 - 16 x 3/4	3
10	65305A	Key 1/4 Sq x 1 1/4	1
11	65306A	Key 1/4 Sq x 3/4	1
12	67444A	Shaft Arbor	1
13	51172A	Bearing	1
14	61641A	Carrier Bearing	1
15	51171A	Bearing	1
16	57844A	Ring Retaining	1
17	66219A	Pulley Contact Wheel 3V	1
18	980679	Washer 3/4	1
19	81106A	Nut 3/4 - 10 Lock	2
20	86110A	Screw 3/8 - 16 x 1	4
21	85834A	Screw 3/8 - 16 x 2 1/2	1
22	60421A	Arm Truck Level	1
23	65309A	Key 1/4 Sq x 1/2	1
24	68395A	Axle Truck	1
25	67868A	Spacer Truck Wheel	2
26	87033A	Washer 9/16	2

Ref No.	Part No	Description	Qty
27	81107A	Nut 9/16 - 12 ESNA	2
28	85725A	Screw 9/16 - 12 x 2 1/2	2
29	747304	Ring Retaining	2
30	902606	Bearing	4
31	67862A	Spacer	2
32	39858A	Contact Wheel	1
33	87030A	Retainer Contact Wheel	1
34	50913A	Abrasive	1
35	925036	Pin Cotter	1
36	68674A	Plate, Drum End	1
37	87700A	Screw, 1/4-20 x 1/2	1
38*		Tension Asm.	1
39	55717A	Latch	1
40	815051	Knob	1
41	64467A	Lever, Release	1
42	920110	Nut, 5/16 -18	1
43	980645	Washer 3/8	1
44	58691A	Spring Sanding Pressure	1
45	80005A	Bolt Swing	1
46	58689A	Spring Truck Level	1
47	920248	Nut 3/8 - 16 ESNA	1
48	60422A	Arm Truck Lift	1
49	980648	Washer 1/2	1
50	920365	Nut 1/2 - 13 ESNA	1
51	19610A	Wheel Asm. Truck	2
52	87000A	Washer, Flat	3

**NOTE:** ◆ indicates a change has taken place since last publication of this manual

\* **Note:** Tension Assembly breakdown and parts list are on pages 22 and 23.

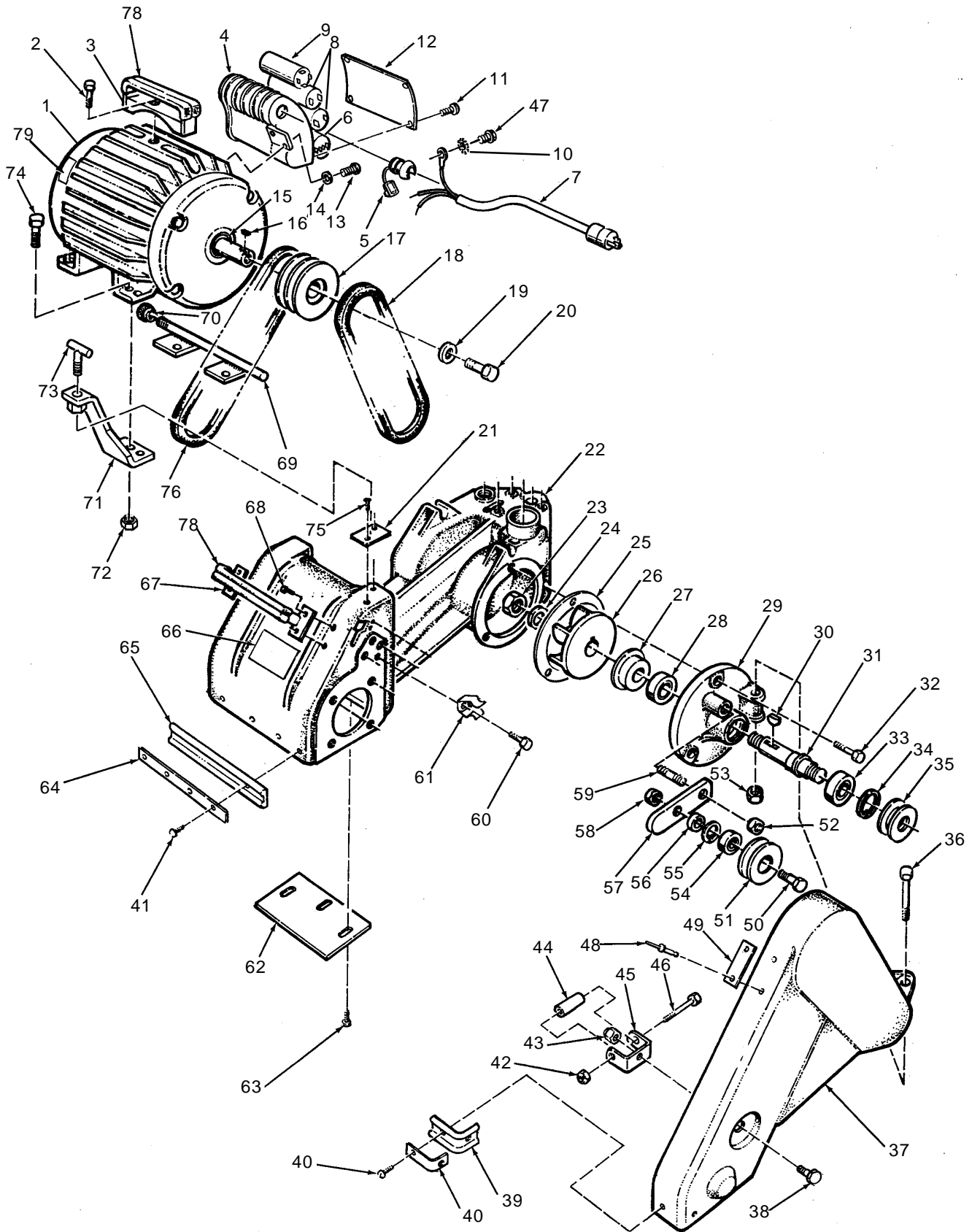
AMERICAN SANDERS TECHNOLOGY  
American Classic Sander 8  
Tension Assembly Drawing 10/99



**AMERICAN SANDERS TECHNOLOGY**  
**American Classic Sander 8**  
**Tension Assembly Parts List 10/99**

Ref No.	Part No	Description	Qty
1	747380	Retaining Ring <sup>9</sup> / <sub>16</sub>	2
2	902567	Bearing	2
3	67201B	Roller	1
4	920296	Nut, 10-24	3
5	81102A	Nut, <sup>1</sup> / <sub>4</sub> -20	2
6	80020A	Shoulder Bolt, <sup>1</sup> / <sub>4</sub> x 1	1
7	14701A	Guide, Roller Asm.	2
8	81501A	Pushnut <sup>1</sup> / <sub>4</sub>	4
9	66537A	Pin	1
10	50772A	Draw Lever	1
11	50775A	Support	1
12	797301	Retaining Ring <sup>5</sup> / <sub>8</sub>	1
13	53410A	Spring, Tension	1
14	50719A	Boot, Tension Spring	1
15	961014	Shoulder Bolt, <sup>1</sup> / <sub>4</sub> x <sup>3</sup> / <sub>8</sub>	2
16	61804A	Cam Weldment	1
17	65709A	Connecting Link	1
18	80018A	Shoulder Bolt, <sup>1</sup> / <sub>4</sub> x <sup>1</sup> / <sub>4</sub>	2
19	87502A	Washer, <sup>1</sup> / <sub>4</sub> Bowed	4
20	87503A	Washer <sup>1</sup> / <sub>4</sub> Beveled	4
21	65708A	Draw Link	2
22	81303A	Nut, <sup>1</sup> / <sub>4</sub> -28 Jam	1
23	60150A	Aduster, Tracking	1
24	61666A	Carriage, Roller	1
25	67465A	Shaft, Roller	1
26	980018	Washer, Nylon	1

**AMERICAN SANDERS TECHNOLOGY**  
**American Classic Sander 8**  
**Assembly Drawing #2 11/00**



**AMERICAN SANDERS TECHNOLOGY**  
**American Classic Sander 8**  
**Assembly Parts List #2 11/00**

Ref No	Part No.	Description	Qty
1	44639A	Motor	1
2	962870	Screw <sup>3</sup> / <sub>8</sub> - 16 x 1	1
3	64460A	Handle, Motor	1
4	22904A	Enclosure, Motor	1
5	697502	Strain, Relief	1
6	47378A	Switch, Start	1
7	41945A	Cord, Motor	1
8	41305A	Capacitor 161-193 MFD	2
9	41304A	Capacitor 40 MFD	1
10	980603	Washer, Star #10	1
11	962330	Screw, 6-32 x <sup>3</sup> / <sub>8</sub>	4
12	73715A	Plate, Warning	1
13	962823	Screw <sup>1</sup> / <sub>4</sub> - 20 x <sup>1</sup> / <sub>2</sub>	2
14	980614	Washer	2
15	57712A	Ring, Retaining	1
16	65305A	Key <sup>1</sup> / <sub>4</sub> Sq. x <sup>1</sup> / <sub>2</sub>	1
17	66171A	Pulley, Motor	1
18	51025A	Belt, Fan	1
19	87034A	Retainer, Motor, Pulley	1
20	962288	Screw <sup>3</sup> / <sub>8</sub> - 16 x 1	1
21	61411A	Pad T-Screw	1
22	20009B◆	Frame, Main	1
23	81202A	Nut <sup>7</sup> / <sub>16</sub> LH	1
24	87002A	Washer	1
25	34262A	Gasket, Fan	1
26	23301A	Fan	1
27	61602A	Collar	1
28	902567	Bearing	1
29	22126C◆	Cover, Fan	1
30	65302A	Key	1
31	67445A	Shaft, Fan	1
32	85811A	Screw <sup>5</sup> / <sub>16</sub> - 18 x <sup>3</sup> / <sub>4</sub>	3
33	51111A	Bearing	1
34	877304	Ring, Retaining	1
35	66169A	Pulley, Fan	1
36	80017A	Bolt, Shoulder <sup>3</sup> / <sub>8</sub> x 2 <sup>3</sup> / <sub>4</sub>	1
37	23805A◆	Guard, Belt	1
38	85700A	Bolt <sup>1</sup> / <sub>4</sub> - 20 x <sup>3</sup> / <sub>4</sub>	1

Ref No	Part No.	Description	Qty
39	31221A	Bumper, Side	1
40	66932A	Retainer	1
41	85517A	Screw 10 - 24 x <sup>3</sup> / <sub>8</sub>	6
43	81102A	Nut <sup>1</sup> / <sub>4</sub> - 20 ESNA	2
44	68393A	Tube, Latch	1
45	60623A	Bracket, Latch	1
46	85702A	Screw <sup>1</sup> / <sub>4</sub> - 20 x 1 <sup>3</sup> / <sub>4</sub>	1
47	85833A	Screw, 10-32 x <sup>3</sup> / <sub>8</sub>	1
48	930093	Rivet	2
49	74045A	Plate	1
50	962216	Screw <sup>3</sup> / <sub>8</sub> - 16 x 1 <sup>1</sup> / <sub>4</sub>	1
51	66170A	Pulley, Idler	1
52	81108A	Nut <sup>3</sup> / <sub>8</sub> - 24	1
53	920110	Nut <sup>5</sup> / <sub>16</sub> - 18	1
54	902619	Bearing	1
55	57801A	Ring, Retaining	1
56	67875A	Spacer	1
57	60414A	Arm, Idler	1
58	171101	Nut <sup>3</sup> / <sub>8</sub> - 16	1
59	68010A	Stud	1
60	86111A	Screw <sup>1</sup> / <sub>4</sub> - 20 x <sup>1</sup> / <sub>2</sub>	1
61	61600A	Clip	1
62	50778A	Shoe, Dust	1
63	962826	Screw 10 - 24 x <sup>3</sup> / <sub>8</sub>	3
64	66931A	Retainer	1
65	31220A	Bumper	1
66	70143A	Plate Classic 8	1
67	64455A	Handle	1
68	87700A	Screw <sup>1</sup> / <sub>4</sub> - 20 x <sup>1</sup> / <sub>2</sub>	4
69	50776A	Mount, Motor, Rear	1
70	65304A	Knob, Motor, Mounting	1
71	50777A	Mount, Motor, Front	1
72	920342	Nut <sup>3</sup> / <sub>8</sub> - 16	4
73	68394A	T-Screw	1
74	85703A	Screw <sup>3</sup> / <sub>8</sub> - 16 x 1 <sup>1</sup> / <sub>2</sub>	4
75	85517A	Screw 10-24 x <sup>3</sup> / <sub>4</sub>	2
76	51021A	Belt-V, Contact Wheel	1
78	32357A	Cover, Handle	4
79	77234A	Label, Lifting Warning	1

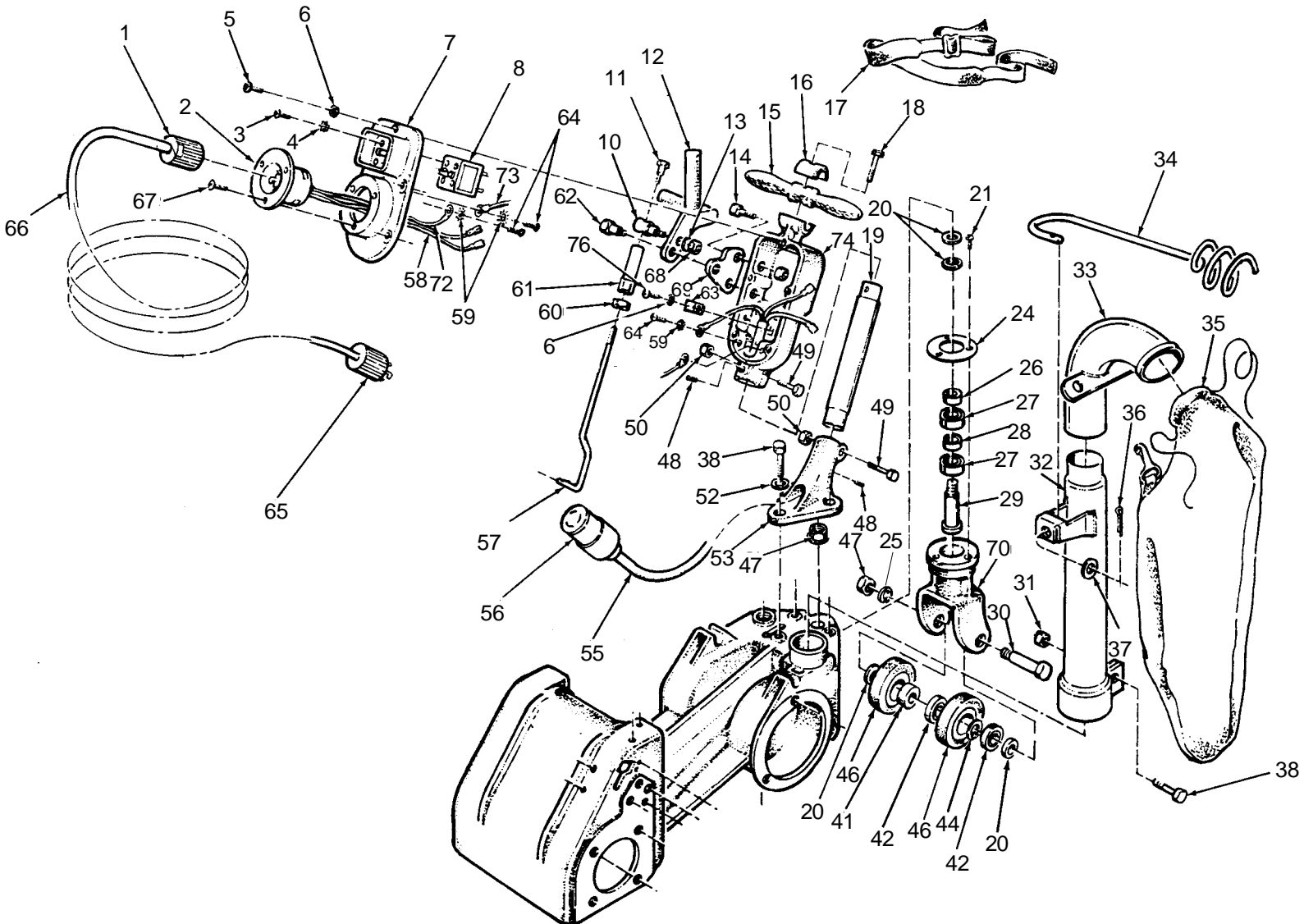
**NOTE:** ◆ indicates a change has taken place since last publication of this manual

**Motor Parts Not Illustrated**

Part #	Description	Qty.
50563A	End Bell	1
52768A	Front Cover	1
53998A	Fan	1
52769A	Fan Cover	1

Part #	Description	Qty.
51188A	Bearing Front	1
902547	Bearing Rear	1
40316A	Armature Assembly	1

AMERICAN SANDERS TECHNOLOGY  
American Classic Sander 8  
Assembly Drawing #3 11/00





**AMERICAN SANDERS TECHNOLOGY**  
**American Classic Sander 8**  
**Assembly Parts List #3 11/00**

Ref. No	Part No.	Description	Qty
1	41706A	Connector Body	1
2	43501A	Inlet	1
3	85313C	Screw 6 - 32 x 1¼	2
4	980607	Washer	4
5	962794	Screw 10 - 24 x ¾	5
6	980650	Washer 3/16 Lock	7
7	22127C◆	Cover, Switch	1
8	41411A	Switch	1
10	66151A	Pivot, Control, Rod	1
11	80021A	Bolt, Shoulder 3/8 x 5/8	1
12	25601A	Lever, Control	1
13	980646	Washer ¼	1
14	962481	Screw ¼ - 20 x 1¼	2
15	64405A	Handle	1
16	21904C◆	Clamp	1
17	60724A	Belt	1
18	85818A	Screw 5/16 - 18 x 2½	1
19	66116C◆	Pipe, Handle	1
20	87003A	Washer	4
21	962823	Screw ¼ - 20 x ½	3
22*	77039A	Label, Made in USA	1
24	66913A	Retainer, Bearing	1
25	87101A	Washer Lock ½ Nom.	1
26	67812A	Spacer	1
27	51112A	Bearing	2
28	67821A	Spacer	1
29	60715B	Bolt, Pivot	1
30	60101A	Axle	1
31	920342	Nut 3/8 - 16	1
32	66150A	Tube, Dust	1
33	62800A	Pipe Assembly	1
34	60401A	Arm-Cable	1
35	60721B	Bag Assembly	1

Ref. No	Part No.	Description	Qty
36	925036	Pin, Cotter	1
37	980651	Washer 3/8	1
38	962288	Screw 3/8 - 16 x 1	4
41	67810A	Spacer	1
42	902606	Bearing	4
44	747304	Ring, Retaining Arm	2
46*	19611A	Wheel Asm. Caster	2
47	81209A	Nut ½ - 13 Large Flg.	2
48	86200A	Screw 3/8 - 16 x 5/8	2
49	85816A	Screw 5/16 - 18 x 1¼	2
50	920110	Nut 5/16 - 18	2
52	980638	Lock Washer 3/8	3
53	21105C◆	Mount, Handle	1
55	41917A	Cord, Interconnect	1
56	41707A	Connector, Body	1
57	67130A	Rod Control	1
58	49023A	Wire Assembly	2
59	980699	Washer	3
60	920148	Nut 3/8 - 16	1
61	67129A	Adjustor, Control Rod	1
62	80022A	Bolt, Shoulder	1
63**	51074A	Clamp, Cord	2◆
64	962015	Screw 10 - 24 x 3/8	3
66	42201A	Cord Set	1
	42302A	Cord, Power 240/50	1
67	962065	Screw 8 - 32 x ¼	5
68	920284	Nut ¼ - 20	3
69	66694A	Plate, Control Lever	1
70	29403C◆	Yoke, Wheel	1
72	48900A	Wire Assembly	1
73	48901A	Wire Assembly (Grn)	1
74	20704C◆	Box Switch	1
75*	38109A	Seal, Dust Pipe	1
76**	85517A	Screw, 10-24 x ½	2

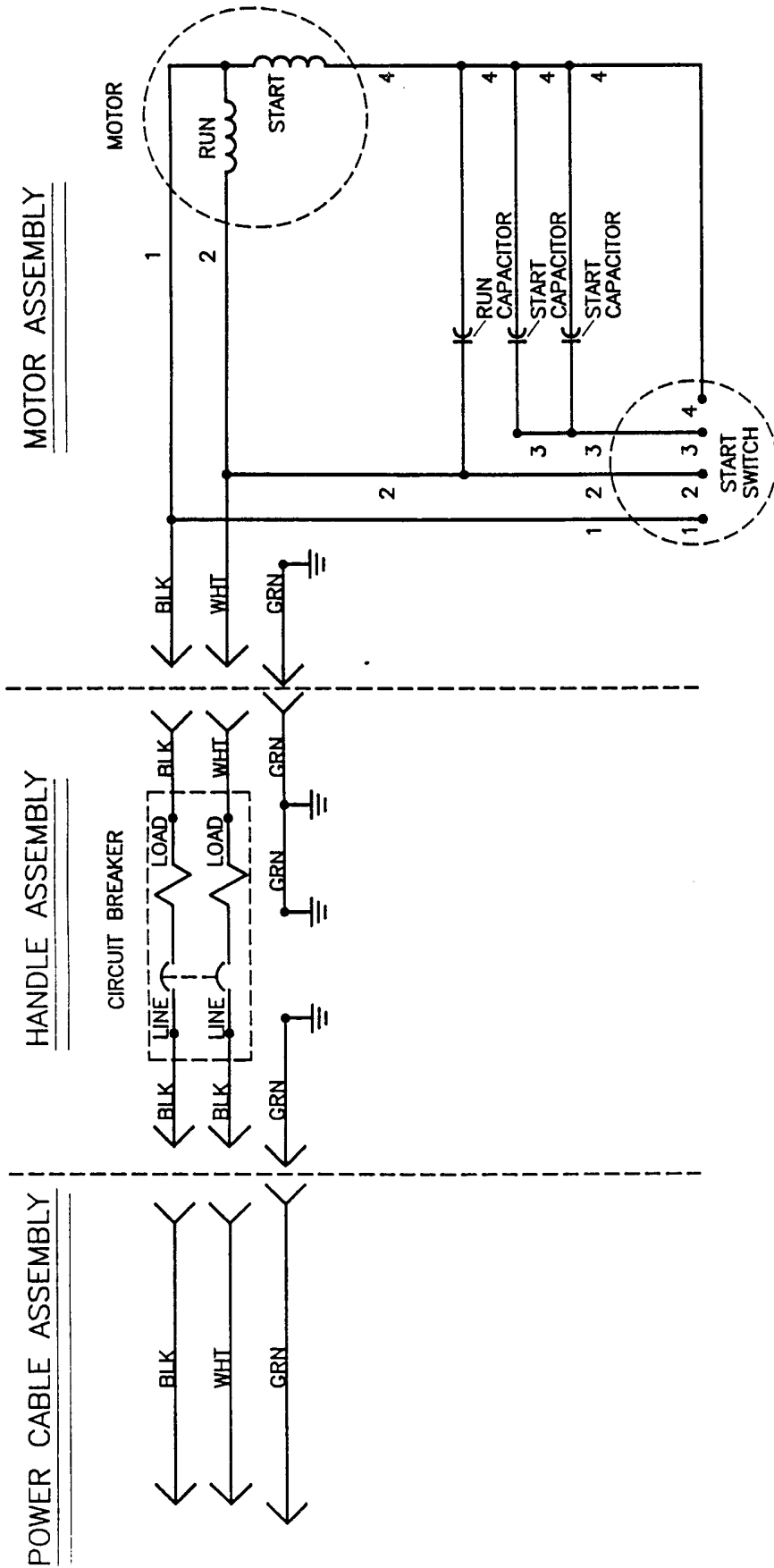
\*NOTE: #22, #46, #75 not illustrated.

NOTE: 43A/45A - Part # 64806A - Wheel, Steel (optional) - Qty. 2

\*\*NOTE: #63 & #76 only one shown

NOTE: ◆ indicates a change has taken place since last publication of this manual

AMERICAN SANDERS TECHNOLOGY  
 American Classic Sander 8  
 Wiring Diagram 7/93



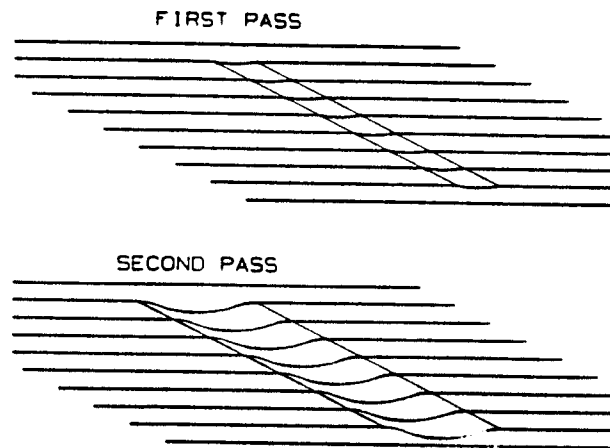
## Chatter - Wave Prevention

American Sanders Technology Sanders are designed and manufactured to the most rigid tolerances. However, after a finishing cut it is possible to see "chatter" or "waves".

The best guarantee to remove the chatter is to finish the floor with a rotating horizontal sander, such as American Sanders Technology's Sander 16.

To minimize chatter when using a belt sander the following steps should be taken:

- 1.) DRUM MARKS ....are caused by the operator lowering the drum to the floor without forward traverse. These marks should be removed by cutting at a 45 degree angle to the mark. Cutting at the mark while maintaining the same path will only increase the mark depth and width.



- 2.) EXTREMELY LIGHT CUTS ....may reveal high spots on the paper/contact wheel and cause chatter.

## Chatter - Causes and Prevention

- 1.) DEBRIS ....on contact wheel or tension roller, even the slightest of build up, will cause chatter. Inspect and clean (hand sand) any debris on these surfaces. Periodically inspect these elements and blow off ends and face of contact wheel. Blow off any accumulation on or about the tracking mechanism to prevent any debris from breaking loose, lodging between abrasive and contact wheel, and eventually adhering to the contact wheel.
- 2.) IMBALANCE ....on contact wheel will cause chatter. Remove any debris which may have accumulated on ends or face of contact wheel.
- 3.) V-BELTS ....of poor quality or which have become damaged to either the outer cover or tensile members will leave chatter. Excessive belt tension may cause chatter to appear by taking-up the elasticity of the belt thereby revealing any imperfections in the belt or pulleys. Apply only enough tension to the belts to prevent slippage. Only use genuine American Sanders Technology replacements to minimize this effect.
- 4.) ABRASIVE ....of poor quality, exposed to moisture or humidity, or has suffered damage, will leave chatter marks. Always store abrasive belts on edge in a cardboard box in a dry location. Do not back flex or overflex abrasive belt at seam. Never allow abrasive to develop a crease from storage. Avoid re-using abrasive belts, as the abrasive may take on moisture from humidity. If chatter becomes present, first replace abrasive belt from another lot, to insure that the abrasive is not at fault.

