

Clarke®

American Sanders

CAV 26

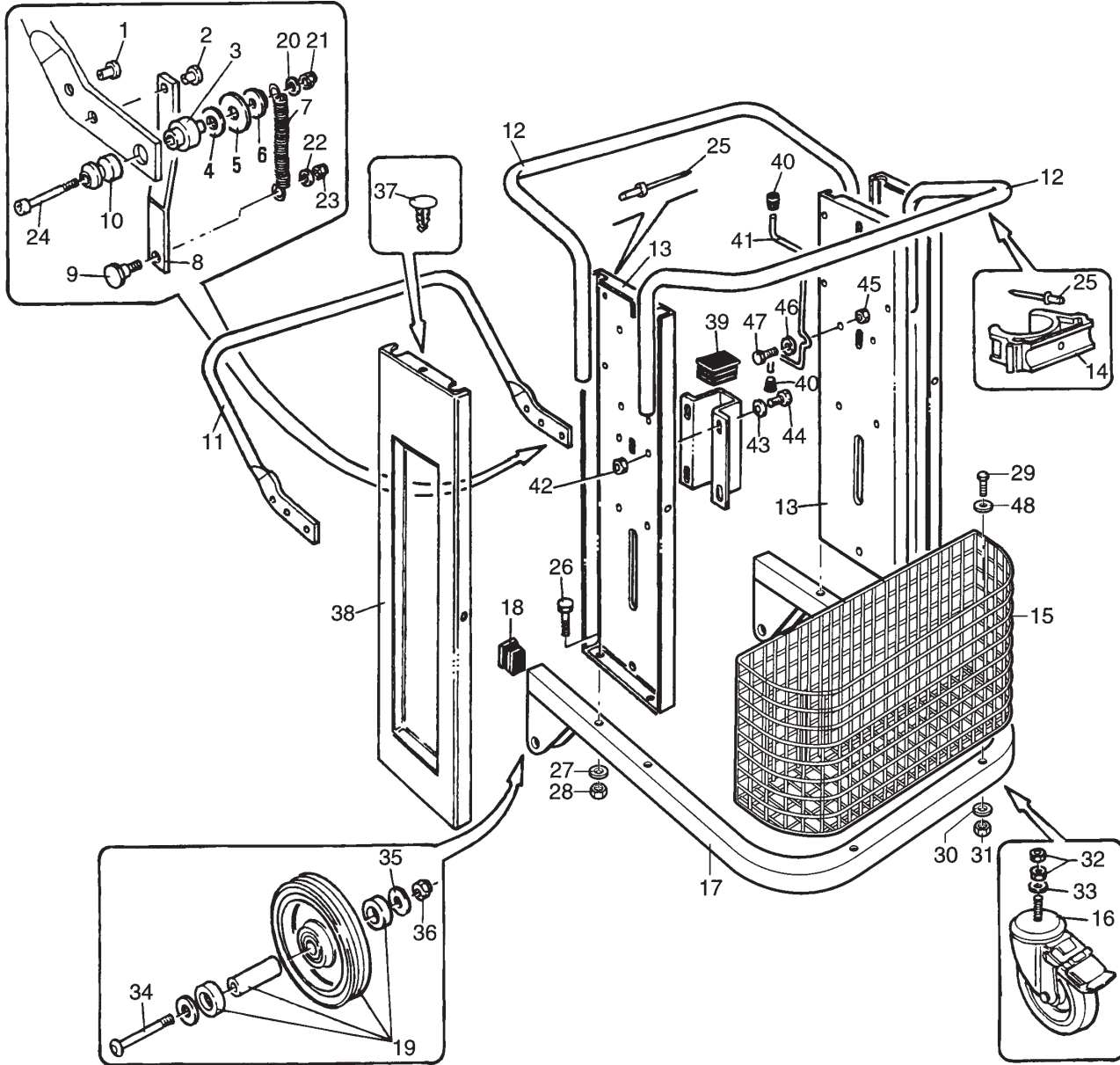
Section II

Parts and Service

Order Parts Here:



(71114A)



Order Parts Here:

IVIE
Enterprises, Inc.
www.ivie-ent.com/parts
Ph:(918)254-5161

Frame Assembly Parts List 5/06

Order Parts Here:

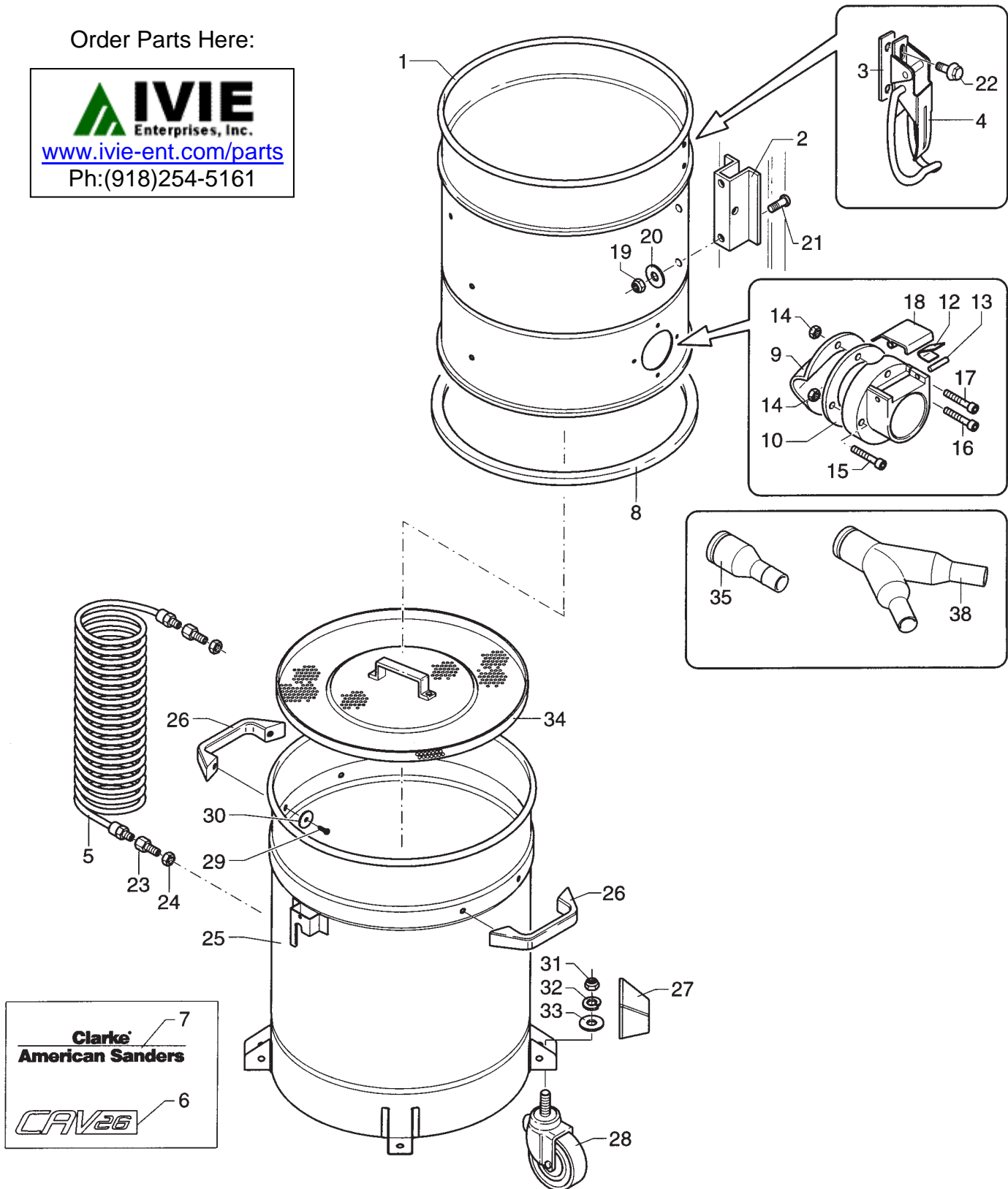


Ref.	Part No.	Description	Qty
1	8 14087	Pin	2
2	8 14084	Pin	2
3	8 14262	Pin	2
4	8 38033	Washer	2
5	8 38034	Washer	2
6	8 14266	Washer	2
7	8 14267	Spring	2
8	8 14256	Lever	2
9	8 14261	Pin	2
10	8 14259	Bushing	2
11	8 14258	Lever	1
12	8 18513	Handgrip	2
13	8 18506	Pillar	2
14	8 40392	Collar	1
15	8 16060	Basket	1
16	8 40582	Caster, Cart	2
17	8 36196	Cart	1
18	8 40035	Plug	2
19	8 40581	Wheel, Cart	2
20	229102	Washer, Ø 8	2
21	80312A	Nut, M8 Block	2
22	229102	Washer, Ø 8	2
23	80312A	Nut, M8 Block	2
24	58050A	Screw, M8 x 65 Soc.	2
25	83002A	Rivet, Ø6,4 x 15	9
26	98456A	Screw, M8 x 50	4
27	229102	Washer, Ø 8	4
28	80163A	Nut, M8	4
29	80314A	Screw, M8 x 65	4
30	229102	Washer, Ø 8	4
31	80163A	Nut, M8	4
32	920936	Nut, M12	2
33	980648	Washer, Ø 12	2
34	80315A	Screw, M10 x 65	2
35	229044	Washer, Ø 10	2
36	80162A	Nut, M10	2
37	8 38038	Rivet	6
38	8 16380	Side-Piece	2
39	8 40396	Plug	2
40	8 40407	Push Rod	2
41	8 16177	Cable Support	1
42	80163A	Nut, M8	4
43	229102	Washer, Ø 8	6
44	964058	Screw, M8 x 16	6
45	80163A	Nut, M8	4
46	980205	Washer, Ø8 x 24	2
47	1803337	Screw, M8 x 25	2
48	229102	Washer, Ø 8	4

**Clarke®
American Sanders
CAV 26**
Container Unit Assembly Drawing 2/06

Order Parts Here:

IVIE
Enterprises, Inc.
www.ivie-ent.com/parts
Ph: (918)254-5161





Container Unit Assembly Parts List 3/06

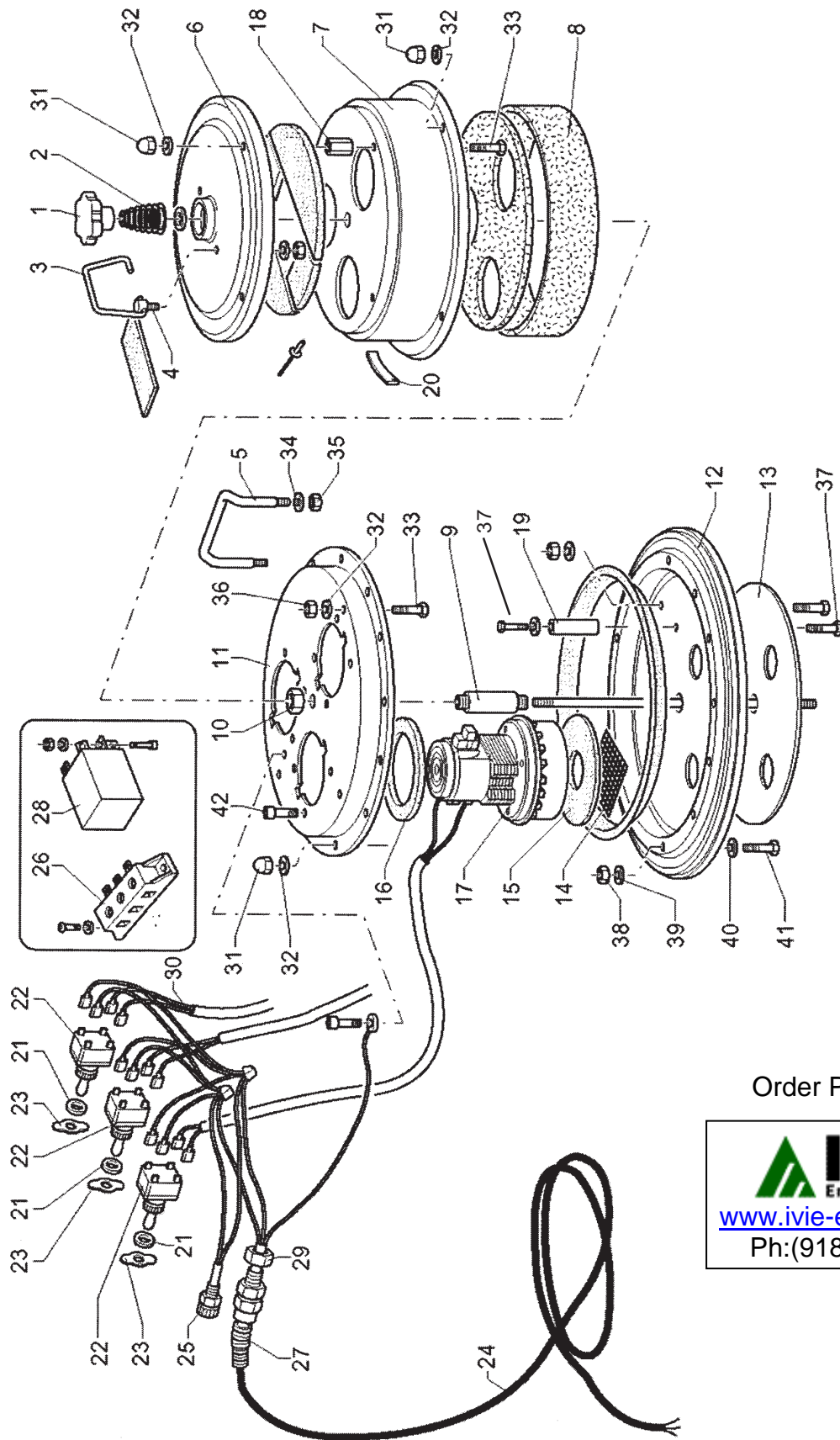
Order Parts Here:



Ref.	Part No.	Description	Qty
1	Ref.	Container	1
2	Ref.	Bracket	2
3	Ref.	Plaque	2
4	8 36028	Latch	2
5	5 60133	Hose, Balancing	1
6	Ref.	Label	1
7	Ref.	Label	1
8	8 17007	Seal, Inlet	
9	8 12013	Deflector	1
10	8 17006	Seal, Container	1
11	Ref.	Filler	1
12	Ref.	Spring	2
13	Ref.	Pin, Ø3 x 16	2
14	924004	Nut, M5	4
15	58413A	Screw, M5 x 20	1
16	58411A	Screw, M5 x 25	2
17	58414A	Screw, M5 x 30	1
18	Ref.	Push Button	1
19	80312A	Nut, M8 Block	4
20	424033	Washer, Ø8 x 32	4
21	964058	Screw, M8 x 16	4
22	80214A	Screw, M6 x 12	4
23	8 40881	Reducer, M6 x 8	2
24	8 40187	Ring Nut	2
25	830331CS	Debris Canister Asm (Includes 23-33)	1
26	8 40771	Handle	2
27	8 17021	Bumper	4
28	8 40001	Wheel	4
29	964058	Screw, M8 x 16	4
30	229102	Washer, Ø 8	4
31	920936	Nut, M12	4
32	87101A	Washer, Ø 12	4
33	980648	Washer, Ø 12	4
34	8 31221	Grid	1
35	722001	Inlet Fitting	1
38	7 22064	Inlet Splitter	1

Ref. Items 1 - 24 = Part No. 8 31687CS, Complete Container, Qty. 1

Ref. Items 11, 12, 13, 18 = Part No. 8 32178, Complete Inlet Asm., Qty. 1



Order Parts Here:

IVIE
Enterprises, Inc.
www.ivie-ent.com/parts
Ph:(918)254-5161

Order Parts Here:



Ref.	Part No.	Description	Qty
1	840027	Knob	1
2	814079	Spring	1
3	818206	Hook	1
4	814061	Pin	2
5	818083	Handle	2
6	54775A	Cover	1
7	8160679005	Motor Cover	1
8	817229	Soundproofing Kit	1
9	814051	Bushing	1
10	814052	Nut	2
11	816009	Motor Locator	1
12	816004	Motor Platform	1
13	815032	Flange	1
14	813074	Screen	3
15	817002	Seal	3
16	817003	Seal	3
17	854006	Vacuum Motor	3
18	814030	Spacer	4
19	814032	Spacer	3
20	Ref.	Label	1
21	980407	Washer	3
22	839000	Switch	3
23	Ref.	Plate	3
24	8391160	Cable	1
25	839051	Voltage Indicator	1
26	839528	Connection Block	1
27	58013A	Strain Relief	1
28	839533	Anti-Disturber	1
29	170686	Ring Nut (use with 58013A)	1
30	839576	Cable Kit	1
31		Cap Nut, M5-.8	20
32	980603	Lockwasher	20
33		Screw, M5-.8x20 HHC	4
34	980646	Washer	4
35	924003	Nut, M6-1.0	4
36	80169A	Nut, M5-.8 Hex	4
37	964009	Screw, M6-1 x 10	8
38	80169A	Nut, M5	4
39	170879	Washer	12
40	980982	Washer	20
41	80249A	Screw, M5-.8x14 HHC	12
42		Screw	4
NI	51401A	Carbon Brush Set (Ametek)	Ref.

NOTE: ♦ indicates a change was made since the last publication of this manual.

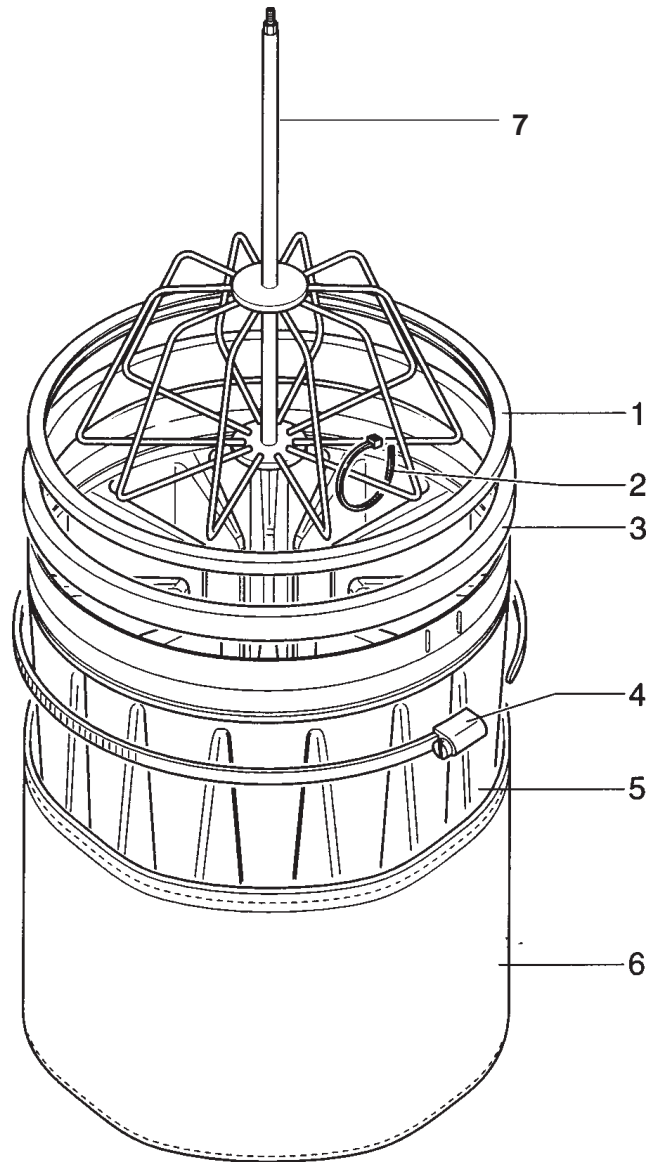
Order Parts Here:



IVIE
Enterprises, Inc.

www.ivie-ent.com/parts

Ph: (918) 254-5161

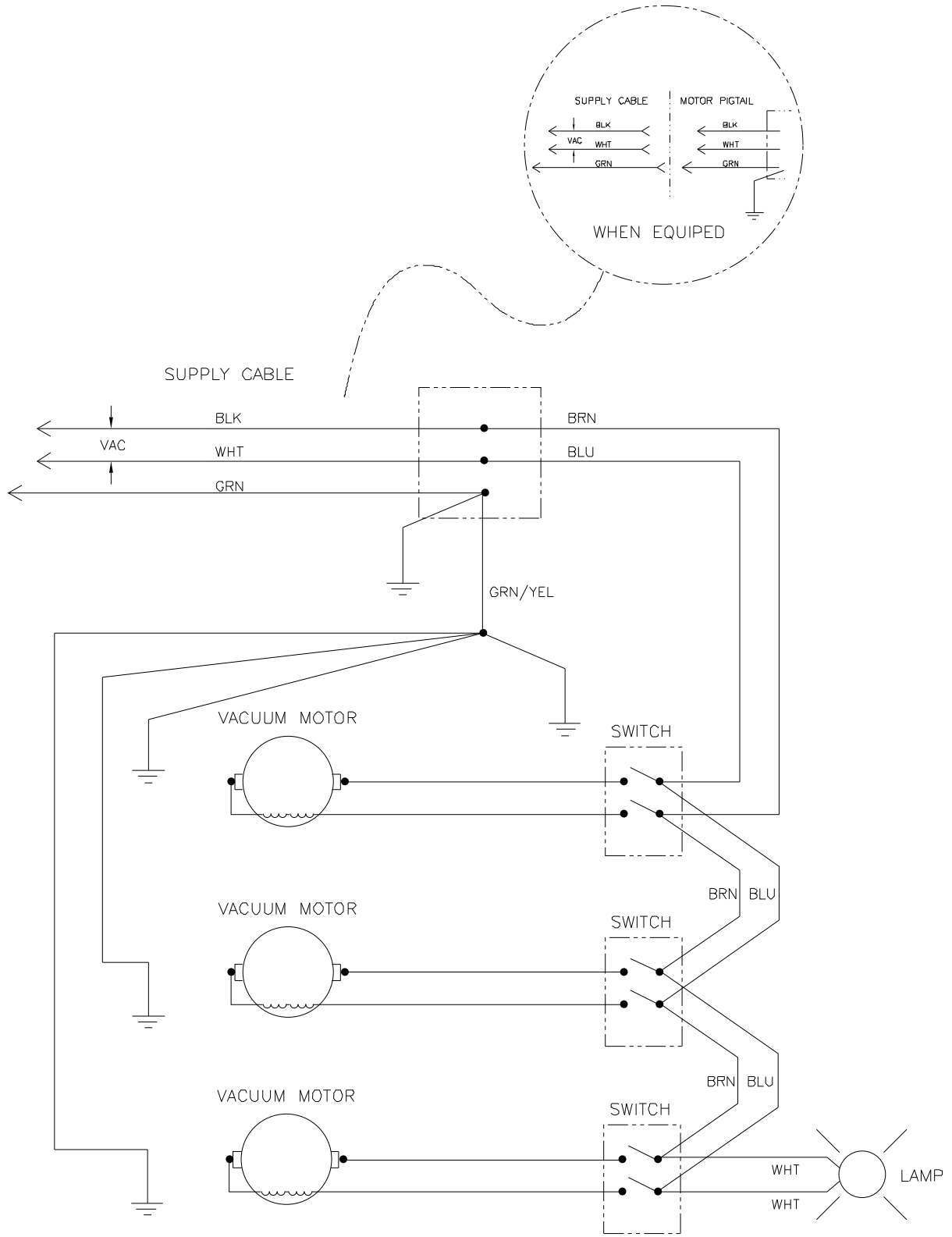


Ref.	Part No.	Description	Qty
NI	814081	Spring	1
1	817026	Seal	1
2	58901A	Tie, .19 x 8.80"	8
3	815003	Ring	1
4	818079	Tie	1
5	817714	Filter	1
6	817749	Filter Liner, Polyester	1
7	833093	Cage	1

NI = Not Illustrated

NOTE: ♦ indicates a change was made since the last publication of this manual.

Clarke
American Sanders
CAV 26
 Electrical Schematic ♦ 7/08



CLARKE PRODUCT SUPPORT BRANCHES

U. S. A. Locations

PRODUCTION FACILITIES

Clarke®, Springdale, Arkansas
2100 Highway 265
Springdale, Arkansas 72764
(479) 750-1000

Customer Service - 1-800-253-0367
Technical Service - 1-800-356-7274

American Lincoln®, Bowling Green, Ohio 43402
1100 Haskins Road

SERVICE FACILITIES

Clarke®, Elk Grove, Illinois 60007
2280 Elmhurst Road
(847) 956-7900

Clarke®, Denver, Colorado 80204
1955 West 13th Ave.
(303) 623-4367

Clarke®, Houston, Texas 77040
7215 North Gessner Road
713-937-7717

SERVICE AND SALES FACILITY

American Lincoln® / Clarke, Madison Heights,
Michigan 48071-0158
29815 John R.
(810) 544-6300

American Lincoln® / Clarke, Marietta, Georgia 30066
1455 Canton Road
(770) 973-5225

Clarke®

Clarke American Sanders

A.L. Cook

Customer Service Headquarters and Factory
2100 Highway 265
Springdale, Arkansas 72764
(479) 750-1000

Technical Service
1-800-356-7274

European Locations

PRODUCTION FACILITIES

ALTO Danmark A/S, Aalborg
Blytaekervej 2
DK-9000 Aalborg
+45 72 18 21 00

ALTO Danmark A/S, Hadsund
Industrikvarteret
DK-9560 Hadsund
+45 72 18 21 00

SALES SUBSIDIARIES

ALTO US - Canada, Ontario (Canada)
4080 B Sladeview Crescent Unit 1
Mississauga, Ontario L5L 5Y5
(905) 569 0266

ALTO Overseas Inc., Sydney (Australia)
1B/8 Resolution Drive
Caringbah NSW 2229
+61 2 9524 6122

ALTO Cleaning Systems Asia Pte Ltd., Singapore
No. 17 Link Road
Singapore 619034
+65 268 1006

ALTO Deutschland GmbH, Bellenberg (Germany)
Guido-Oberdorfer-Straße 2-8
89287 Bellenberg
+49 0180 5 37 37 37

ALTO Cleaning Systems (UK) Ltd., Penrith
Gilwilly Industrial Estate
Penrith
Cumbria CA11 9BN
+44 1768 868 995

ALTO France S.A. Strasbourg
B.P. 44, 4 Place d'Ostwald
F-67036 Strasbourg
Cedex 2
+33 3 8828 8400

ALTO Nederland B.V.
Postbus 65
3370 AB Hardinxveld-Giessendam
The Netherlands
+31 184 677 200

ALTO Sverige AB, Molndal (Sweden)
Aminogatan 18
Box 4029
S-431 04 Molndal
+46 31 706 73 00

ALTO Norge A/S, Oslo (Norway)
Bjornerudveien 24
N-1266
+47 2275 1770

Clarke® American Sanders U. S. Warranty

This Clarke American Sanders Industrial/Commercial Product is warranted to be free from defects in materials and workmanship under normal use and service for a period of two years from the date of purchase, when operated and maintained in accordance with Clarke American Sanders's Maintenance and Operations instructions.

This warranty is extended only to the original purchaser for use of the product. It does not cover normal wear parts such as electrical cable, rubber parts, hoses and motor brushes.

If difficulty develops with the product, you should:

(a). Contact the nearest authorized Clarke American Sanders repair location or contact the Clarke American Sanders Service Operations Department, 2100 Highway 265, Springdale, Arkansas, for the nearest authorized Clarke American Sanders repair location. Only these locations are authorized to make repairs to the product under this warranty.

(b). Return the product to the nearest Clarke American Sanders repair location. Transportation charges to and from the repair location must be prepaid by the purchaser.

(c). Clarke American Sanders will repair the product and or replace any defective parts without charge within a reasonable time after receipt of the product.

Clarke American Sanders's liability under this warranty is limited to repair of the product and/or replacement of parts and is given to purchaser in lieu of all other remedies, including INCIDENTAL AND CONSEQUENTIAL DAMAGES.

THERE ARE NO EXPRESS WARRANTIES OTHER THAN THOSE SPECIFIED HEREIN. THERE ARE NO WARRANTIES WHICH EXTEND BEYOND THE DESCRIPTION OF THE FACE HEREOF. NO WARRANTIES, INCLUDING BUT NOT LIMITED TO WARRANTY OF MERCHANTABILITY, SHALL BE IMPLIED. A warranty registration card is provided with your Clarke American Sanders product. Return the card to assist Clarke American Sanders in providing the performance you expect from your new floor machine.

Clarke, 2100 Highway 265, Springdale, Arkansas 72764.

Clarke American Sanders reserves the right to make changes or improvements to its machine without notice.

Always use genuine Clarke American Sanders Parts for repair.

Clarke®

American Sanders

**2100 Highway 265
Springdale, Arkansas, 72764**