

Clarke®

American Sanders

CAV 16

Vacuum 16 Gallon

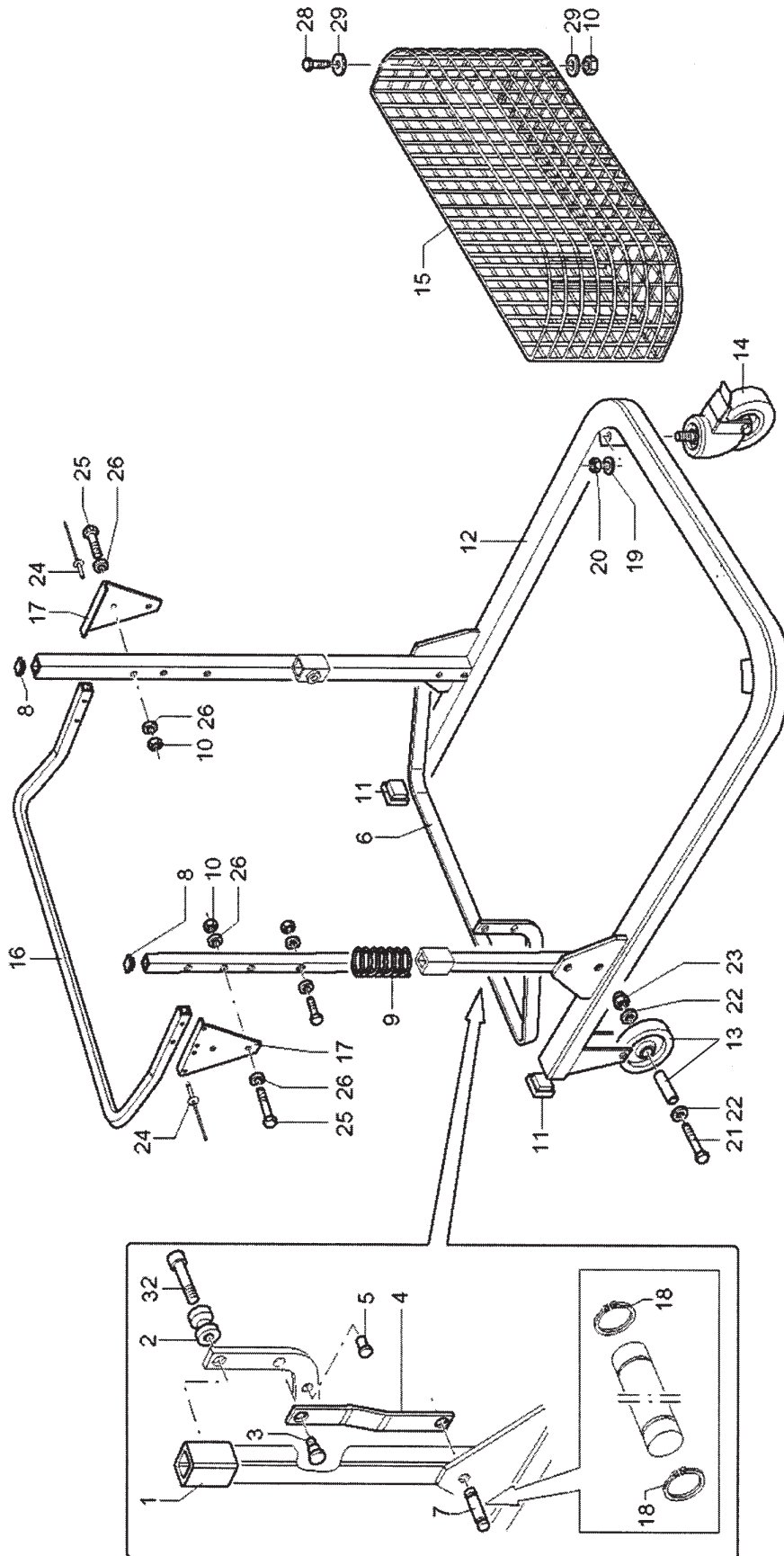
Section II Parts and Service

Order Parts Here:



(71436A)

Frame Assembly Drawing 10/07

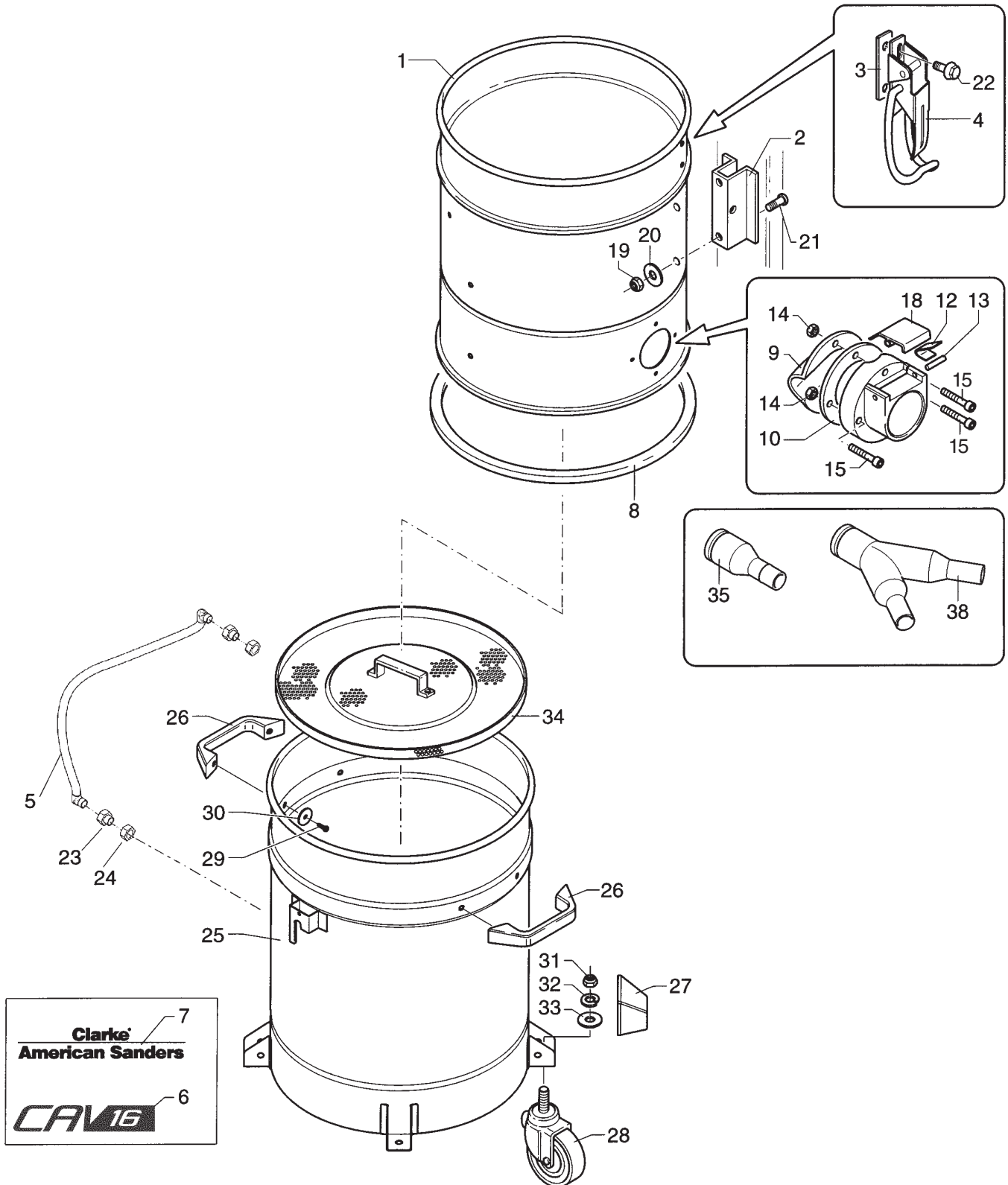


Frame Assembly Parts List 12/07

| Ref. | Part No. | Description | Qty |
|------|------------|---|-----|
| 1 | 836000 | Tube | 2 |
| 2 | 814028 | Bushing | 2 |
| 3 | 814084 | Pin | 2 |
| 4 | 814085 | Link | 2 |
| 5 | 814087 | Pin | 2 |
| 6 | 814054 | Lever | 1 |
| 7 | 814083 | Pin | 2 |
| 8 | 840034 | Plug | 2 |
| 9 | 814135 | Spring | 1 |
| 10 | 920607 | Nut, M8 | 10 |
| 11 | 840035 | Plug | 2 |
| 12 | 8360619005 | Cart | 1 |
| 13 | 840581 | Wheel, Cart | 2 |
| 14 | 840582 | Wheel, Caster | 2 |
| 15 | 816060 | Basket | 1 |
| 16 | 818300 | Handgrip | 2 |
| 17 | 8182999005 | Bracket | 2 |
| 18 | | Retaining Ring 8mm (⁵ / ₁₆) | 4 |
| 19 | 980648 | Washer, Ø 12 | 2 |
| 20 | 920936 | Nut, M12 | 2 |
| 21 | 80315A | Screw, M10 x 65 | 2 |
| 22 | 229044 | Washer, Ø 10 | 4 |
| 23 | 80223A | Nut, M10 | 2 |
| 24 | 83002A | Rivet, Ø 6.4 x 15 | 8 |
| 25 | 98456A | Screw, M8 x 50 | 8 |
| 26 | 229102 | Washer, Ø 8 | 16 |
| 28 | 80314A | Screw, M8 x 65 | 2 |
| 29 | 980205 | Washer, Ø 8 x 24 | 4 |
| 32 | 964030 | Screw, M8 x 35 | 2 |

Order Parts Here:





Container Unit Assembly Parts List 3/08

| Ref. | Part No. | Description | Qty |
|------|----------|------------------|-----|
| 1 ♦ | 831686 | Container | 1 |
| 2 | 814018 | Bracket | 2 |
| 3 | Ref. | Plaque | 2 |
| 4 | 836028 | Latch | 2 |
| 5 | 560272 | Hose, Balancing | 1 |
| 6 | Ref. | Label | 1 |
| 7 | Ref. | Label | 1 |
| 8 | 817007 | Seal, Inlet | 1 |
| 9 | 812013 | Deflector | 1 |
| 10 | 817006 | Seal, Container | 1 |
| 11 | Ref. | Filler | 1 |
| 12 | Ref. | Spring | 2 |
| 13 | Ref. | Pin, Ø 3 x 16 | 2 |
| 14 | 80169A | Nut, M5 | 4 |
| 15 | 964016 | Screw, M5 x 25 | 4 |
| 18 | Ref. | Push Button | 1 |
| 19 | 80198A | Nut, M8 Block | 4 |
| 20 | 424033 | Washer, Ø 8 x 32 | 4 |
| 21 | 964058 | Screw, M8 x 16 | 4 |
| 22 | 80214A | Screw, M6 x 12 | 4 |
| 23 | 840230 | Bushing | 2 |
| 24 | 840187 | Ring Nut | 2 |
| 25 ♦ | 830363 | Debris Canister | 1 |
| 26 | 840771 | Handle | 2 |
| 27 | 817021 | Bumper | 4 |
| 28 | 840001 | Wheel | 4 |
| 29 | 964058 | Screw, M8 x 16 | 4 |
| 30 | 229102 | Washer, Ø 8 | 4 |
| 31 | 920936 | Nut, M12 | 4 |
| 32 | 87101A | Washer, Ø 12 | 4 |
| 33 | 980648 | Washer, Ø 12 | 4 |
| 34 | 831221 | Grid | 1 |
| 35 | 722001 | Inlet Fitting | 1 |
| 38 | 722064 | Inlet Splitter | 1 |

Ref. Items 11, 12, 13, 18 = Part No. 832178, Complete Inlet Asm., Qty. 1

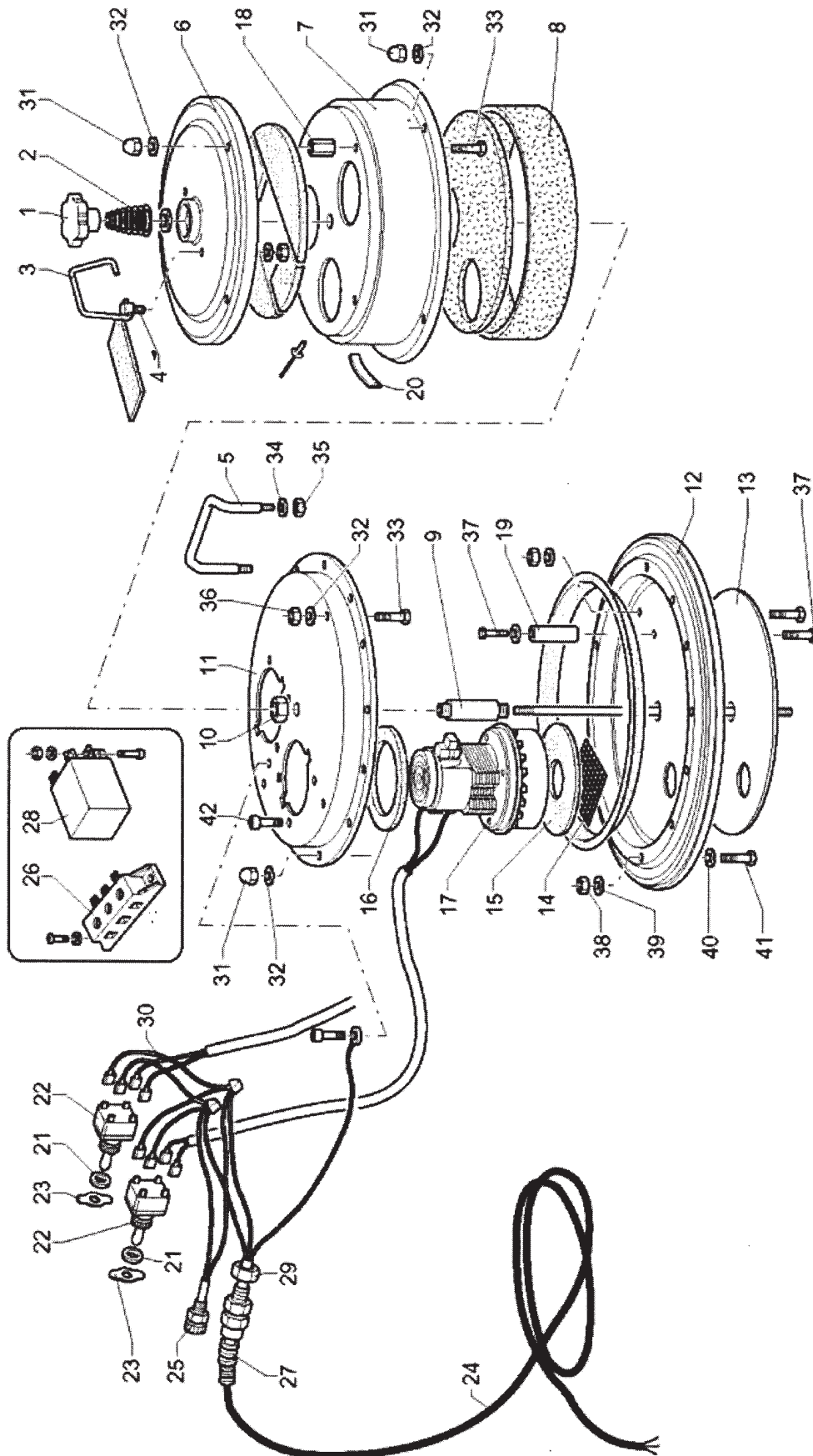
NOTE: ♦ indicates a change has been made since the last publication of this manual.

Order Parts Here:



Clarke
American Sanders
CAV 16

Motorhead Assembly Parts List 10/07



Motorhead Assembly Parts List 3/08

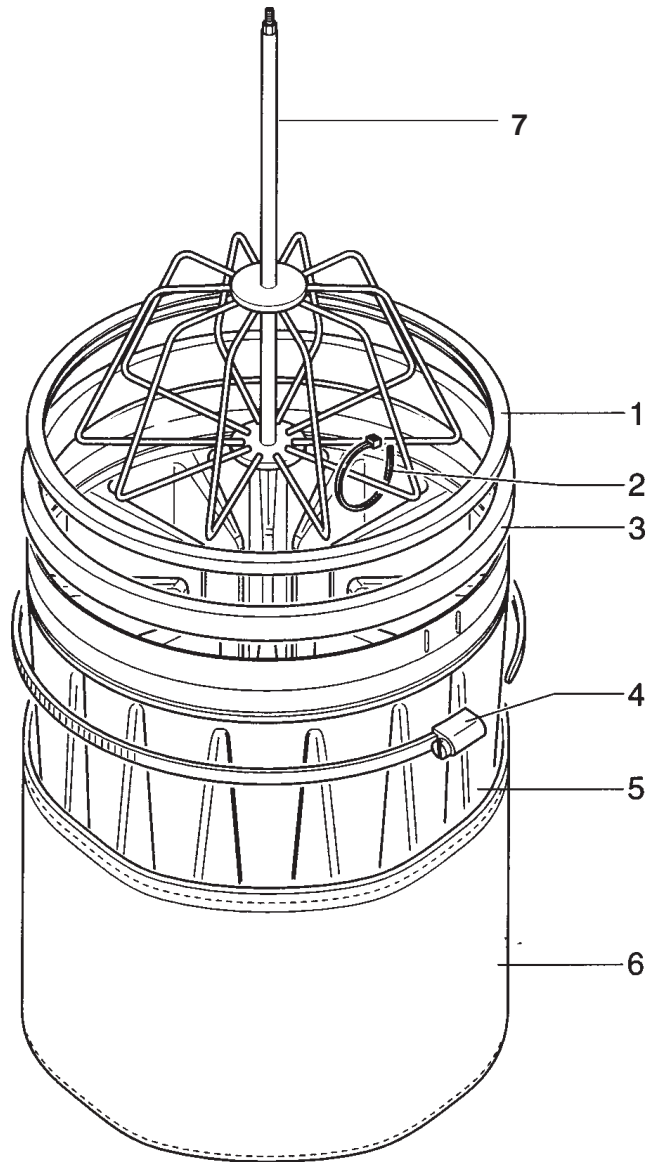
| Ref. | Part No. | Description | Qty |
|------|------------|----------------------------|------|
| 1 | 840027 | Knob | 1 |
| 2 | 814079 | Spring | 1 |
| 3 | 818206 | Hook | 1 |
| 4 | 814061 | Pin | 2 |
| 5 | 818083 | Handle | 2 |
| 6◆ | 54775A | Cover | 1 |
| 7 | 8160669005 | Motor Cover | 1 |
| 8 | 817229 | Soundproofing Kit | 1 |
| 9 | 814051 | Bushing | 1 |
| 10 | 814052 | Nut | 2 |
| 11 | 816008 | Motor Locator | 1 |
| 12 | 816003 | Motor Platform | 1 |
| 13 | 815032 | Flange | 1 |
| 14 | 813074 | Screen | 2 |
| 15 | 817002 | Seal | 2 |
| 16 | 817003 | Seal | 2 |
| 17 | 854006 | Vacuum Motor | 2 |
| 18 | 814030 | Spacer | 4 |
| 19 | 814032 | Spacer | 3 |
| 20 | Ref. | Label | 1 |
| 21◆ | 980407 | Washer | 2 |
| 22 | 839000 | Switch | 2 |
| 23 | Ref. | Plate | 2 |
| 24 | 8391160 | Cable | 1 |
| 25 | 839051 | Voltage Indicator | 1 |
| 26 | 839528 | Connection Block | 1 |
| 27◆ | 58013A | Strain Relief | 1 |
| 28 | 839533 | Anti-Disturber | 1 |
| 29◆ | 170686 | Ring Nut (use with 58013A) | 1 |
| 30 | 839576 | Cable Kit | 1 |
| 31◆ | | Cap Nut, M5-.8 | 20 |
| 32◆ | 980603 | Lockwasher | 20 |
| 33◆ | | Screw, M5-.8x20 HHC | 4 |
| 34◆ | 980646 | Washer | 4 |
| 35◆ | 924003 | Nut, M6-1.0 | 4 |
| 36◆ | 80169A | Nut, M5-.8 Hex | 4 |
| 37◆ | 964009 | Screw, M6-1 x 10 | 8 |
| 38◆ | 80169A | Nut, M5 | 4 |
| 39◆ | 170879 | Washer | 12 |
| 40◆ | 980982 | Washer | 20 |
| 41◆ | 80249A | Screw, M5-.8x14 HHC | 12 |
| 42 | | Screw | 4 |
| NI◆ | 51401A | Carbon Brush Set (Ametek) | Ref. |

NOTE: ◆ indicates a change was made since the last publication of this manual.

Order Parts Here:



Filter Group Assembly Drawing & Parts List 3/08



| Ref. | Part No. | Description | Qty |
|------|----------|-------------------------|-----|
| NI | 814081 | Spring | 1 |
| 1 | 817026 | Seal | 1 |
| 2◆ | 58901A | Tie, .19 x 8.80" | 8 |
| 3 | 815003 | Ring | 1 |
| 4 | 818079 | Tie | 1 |
| 5 | 817714 | Filter | 1 |
| 6 | 817749 | Filter Liner, Polyester | 1 |
| 7 | 833093 | Cage | 1 |

NI = Not Illustrated

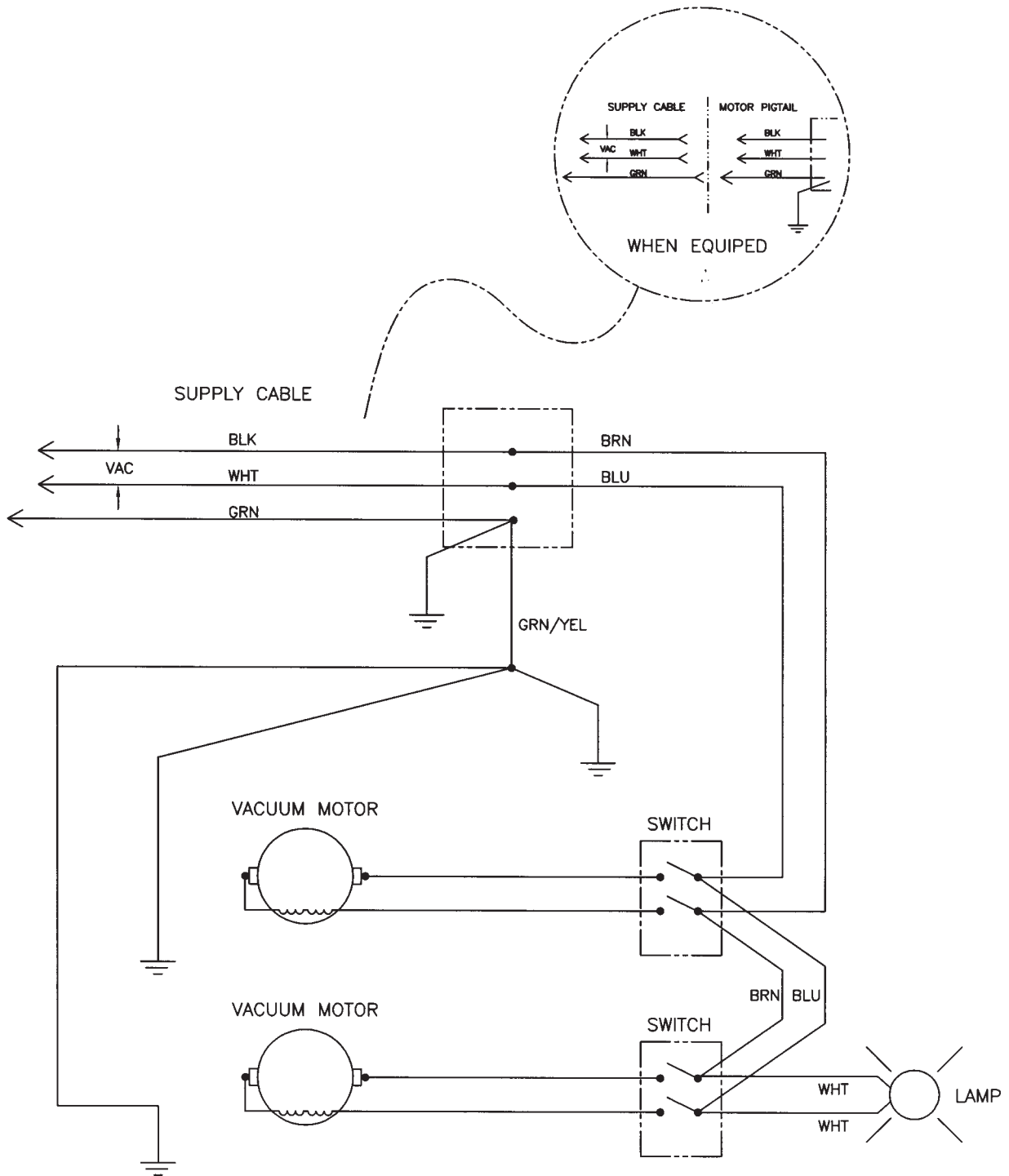
NOTE: ◆ indicates a change was made since the last publication of this manual.

Order Parts Here:



www.ivie-ent.com/parts
 Ph:(918)254-5161

Clarke®
American Sanders
CAV 16
 Electrical Schematic 10/07



CLARKE PRODUCT SUPPORT BRANCHES

U. S. A. Locations

PRODUCTION FACILITIES

Clarke®, Springdale, Arkansas
2100 Highway 265
Springdale, Arkansas 72764
(479) 750-1000
Customer Service - 1-800-253-0367
Technical Service - 1-800-356-7274

SERVICE FACILITIES

Clarke®, Elk Grove, Illinois 60007
2280 Elmhurst Road
(847) 956-7900

Clarke®, Denver, Colorado 80204
1955 West 13th Ave.
(800) 651- 3760

Clarke®, Houston, Texas 77040
7215 North Gessner Road
713-937-7717

SERVICE AND SALES FACILITY

American Lincoln® / Clarke, Madison Heights,
Michigan 48071-0158
29815 John R.
(810) 544-6300

American Lincoln® / Clarke, Marietta, Georgia 30066
1455 Canton Road
(770) 218-2116

Clarke®

Clarke American Sanders

Customer Service Headquarters and Factory
2100 Highway 265
Springdale, Arkansas 72764
(479) 750-1000

Technical Service
1-800-356-7274

European Locations

PRODUCTION FACILITIES

ALTO Danmark A/S, Aalborg
Blytaekkervej 2
DK-9000 Aalborg
+45 72 18 21 00

ALTO Danmark A/S, Hadsund
Industrikvarteret
DK-9560 Hadsund
+45 72 18 21 00

SALES SUBSIDIARIES

ALTO US - Canada, Ontario (Canada)
4080 B Sladeview Crescent Unit 1
Mississauga, Ontario L5L 5Y5
(905) 569 0266

ALTO Cleaning Systems Asia Pte Ltd., Singapore
No. 17 Link Road
Singapore 619034
+65 268 1006

ALTO Deutschland GmbH, Bellenberg (Germany)
Guido-Oberdorfer-Straße 2-8
89287 Bellenberg
+49 0180 5 37 37 37

ALTO Cleaning Systems (UK) Ltd., Penrith
Gilwilly Industrial Estate
Penrith
Cumbria CA11 9BN
+44 1768 868 995

ALTO France S.A. Strasbourg
B.P. 44, 4 Place d'Ostwald
F-67036 Strasbourg
Cedex 2
+33 3 8828 8400

ALTO Nederland B.V.
Postbus 65
3370 AB Hardinxveld-Giessendam
The Netherlands
+31 184 677 200

ALTO Sverige AB, Molndal (Sweden)
Aminogatan 18
Box 4029
S-431 04 Molndal
+46 31 706 73 00

ALTO Norge A/S, Oslo (Norway)
Bjornerudveien 24
N-1266
+47 2275 1770

Clarke® American Sanders U. S. Warranty

This Clarke American Sanders Industrial/Commercial Product is warranted to be free from defects in materials and workmanship under normal use and service for a period of two years from the date of purchase, when operated and maintained in accordance with Clarke American Sanders's Maintenance and Operations instructions.

This warranty is extended only to the original purchaser for use of the product. It does not cover normal wear parts such as electrical cable, rubber parts, hoses and motor brushes.

If difficulty develops with the product, you should:

(a). Contact the nearest authorized Clarke American Sanders repair location or contact the Clarke American Sanders Service Operations Department, 2100 Highway 265, Springdale, Arkansas, for the nearest authorized Clarke American Sanders repair location. Only these locations are authorized to make repairs to the product under this warranty.

(b). Return the product to the nearest Clarke American Sanders repair location. Transportation charges to and from the repair location must be prepaid by the purchaser.

(c). Clarke American Sanders will repair the product and or replace any defective parts without charge within a reasonable time after receipt of the product.

Clarke American Sanders's liability under this warranty is limited to repair of the product and/or replacement of parts and is given to purchaser in lieu of all other remedies, including INCIDENTAL AND CONSEQUENTIAL DAMAGES.

THERE ARE NO EXPRESS WARRANTIES OTHER THAN THOSE SPECIFIED HEREIN. THERE ARE NO WARRANTIES WHICH EXTEND BEYOND THE DESCRIPTION OF THE FACE HEREOF. NO WARRANTIES, INCLUDING BUT NOT LIMITED TO WARRANTY OF MERCHANTABILITY, SHALL BE IMPLIED. A warranty registration card is provided with your Clarke American Sanders product. Return the card to assist Clarke American Sanders in providing the performance you expect from your new floor machine.

Clarke, 2100 Highway 265, Springdale, Arkansas 72764.

Clarke American Sanders reserves the right to make changes or improvements to its machine without notice.

Always use genuine Clarke American Sanders Parts for repair.

Clarke®

American Sanders

**2100 Highway 265
Springdale, Arkansas, 72764**