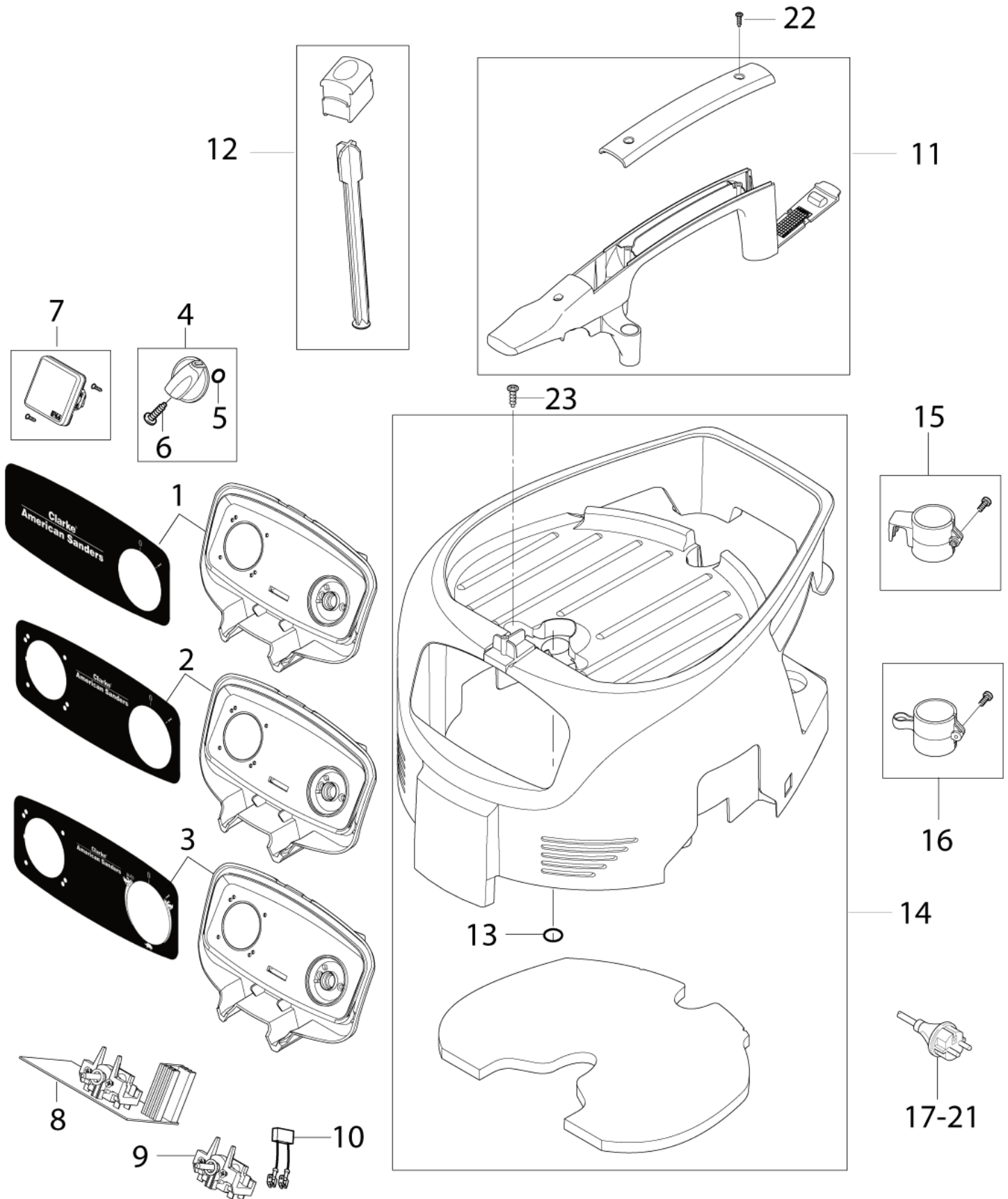


Model : 36927 CAV 8 and CAV 12

Drawing : CAV81201 Cabinet Push Clean & Basic & XC



Order Parts Here:


IVIE
Enterprises, Inc.
www.ivie-ent.com/parts
Ph:(918)254-5161

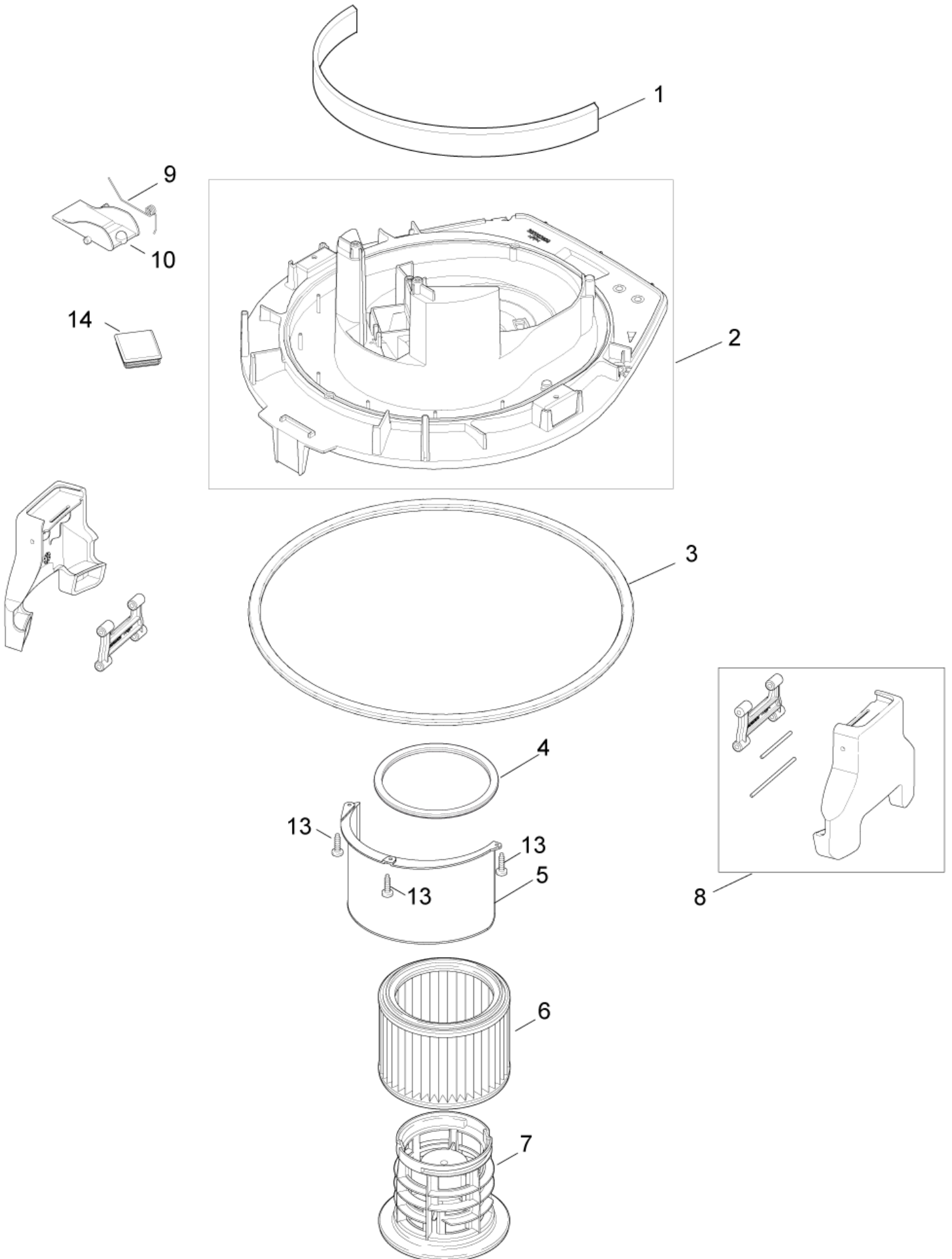
IA	Pos. no.	Qty.	Item no.	Item Text
	1	1	107400503	SWITCHBOX CAV 01PC
	10	1	48338	ANTI-INTERFERENCE CAPACITOR
	11	1	107400062	HANDLE FOR PUSH CLEAN
	11	1	302004050	HANDLE
	12	1	107400502	
	13	1	302004061	O-RING 25X2 NBR 70
	14	1	107400061	COVER BLACK XC BASIC
	14	1	302004046	COVER BLACK PC
	15	1	302004027	TUBE HOLDER HOOK
	16	1	107400064	TUBE HOLDER SNAP
	17	1	302000882	POWER CORD SJTW-AWG16/3X8
	18	1	26289	
	19	1	302004032	SCREW 3.5X18
	2	1	107400504	
	20	1	302004029	SCREW 5X18
	3	1	107400505	
	4	1	909100231	TURNING KNOB GR.1 6X5 PP GREY
	5	1	9868	O RING DIA10X2,5
	6	1	32526	SHEET METAL SCREW
	7	1	302000149	OUTLET BOX 2-P.+PE 15A/125V -US/CSA
	8	1	107400261	AUTO ON-OFF PCB XC 100-120V
	9	1	302004035	ON-OFF SWITCH

Order Parts Here:



Model : 36927 CAV 8 and CAV 12

Drawing : ATTIX30I03 Filtersystem Push Clean & Basic



Partlist : CAV812003 Filtersystem Push Clean & Basic

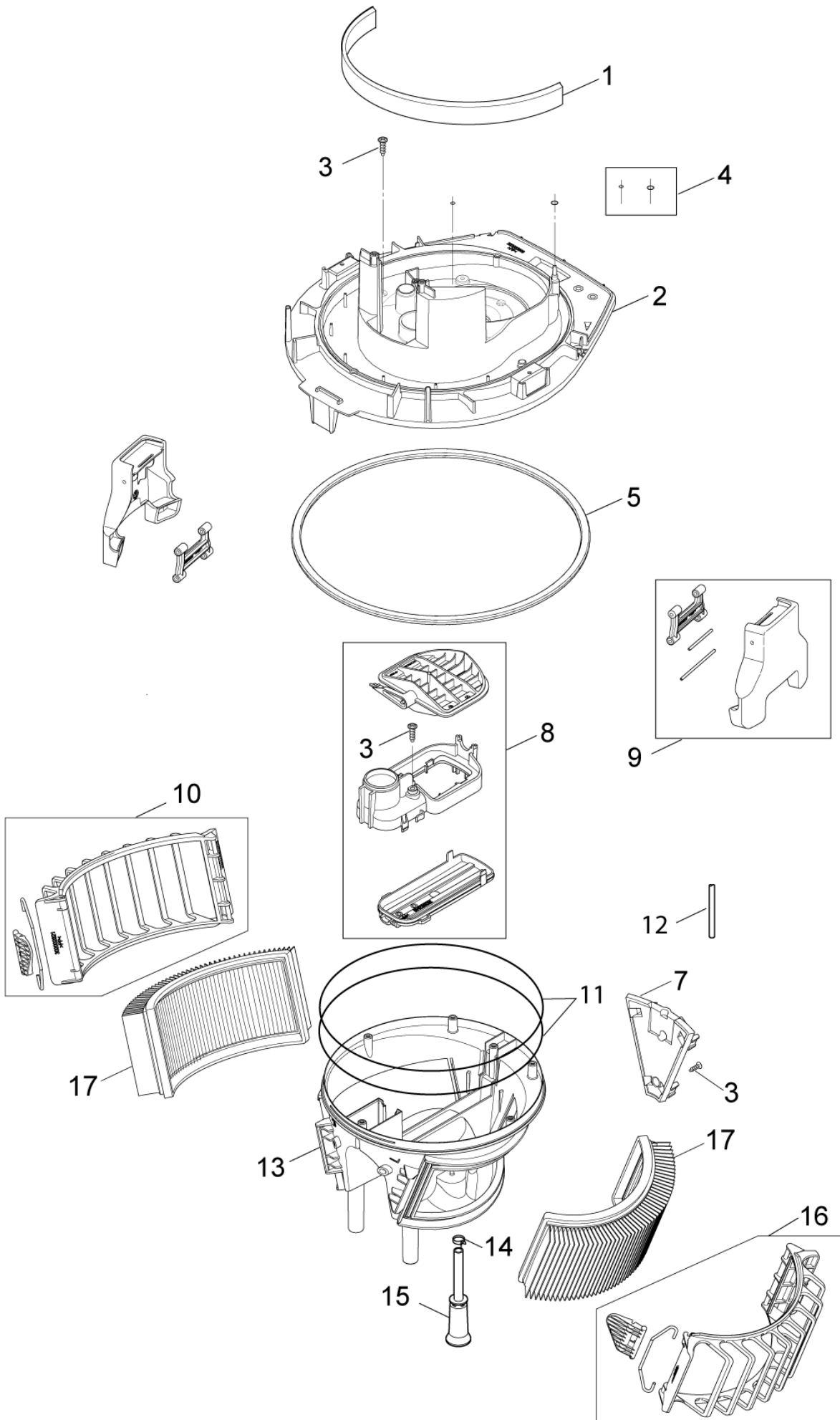
IA	Pos. no.	Qty.	Item no.	Item Text	
	1	1	302004010	SOUND INSULATION FRONT	
	10	1	302000344	FLAP 79X53X25 ATTIX 3	
	13	1	302004029	SCREW 5X18	
	14	1	302004058	PLUG FOR BASIC	
	2	1	302004007	BASEPLATE PC	
	3	1	302004008	GASKET FOR CONTAINER	
	4	1	302000460	GASKET FILTER	
	5	1	302004016	DEFLECTOR	
	6	1	302000490	FILTER ELEMENT LD185X19	
	6	1	302001095	FILTER ELEMENT 185X140	
	7	1	302000472	FILTER SUPPORT CAGE ATTIX	PP
	8	2	302004005	CONTAINER CLAMP	
	9	1	909100083	TORSION SPRING D0.9X18X45 INOX	

Order Parts Here:



Model : 36927 CAV 8 and CAV 12

Drawing : ATTIX30I04 Filtersystem XC



Partlist : CAV812004 Filtersystem XC

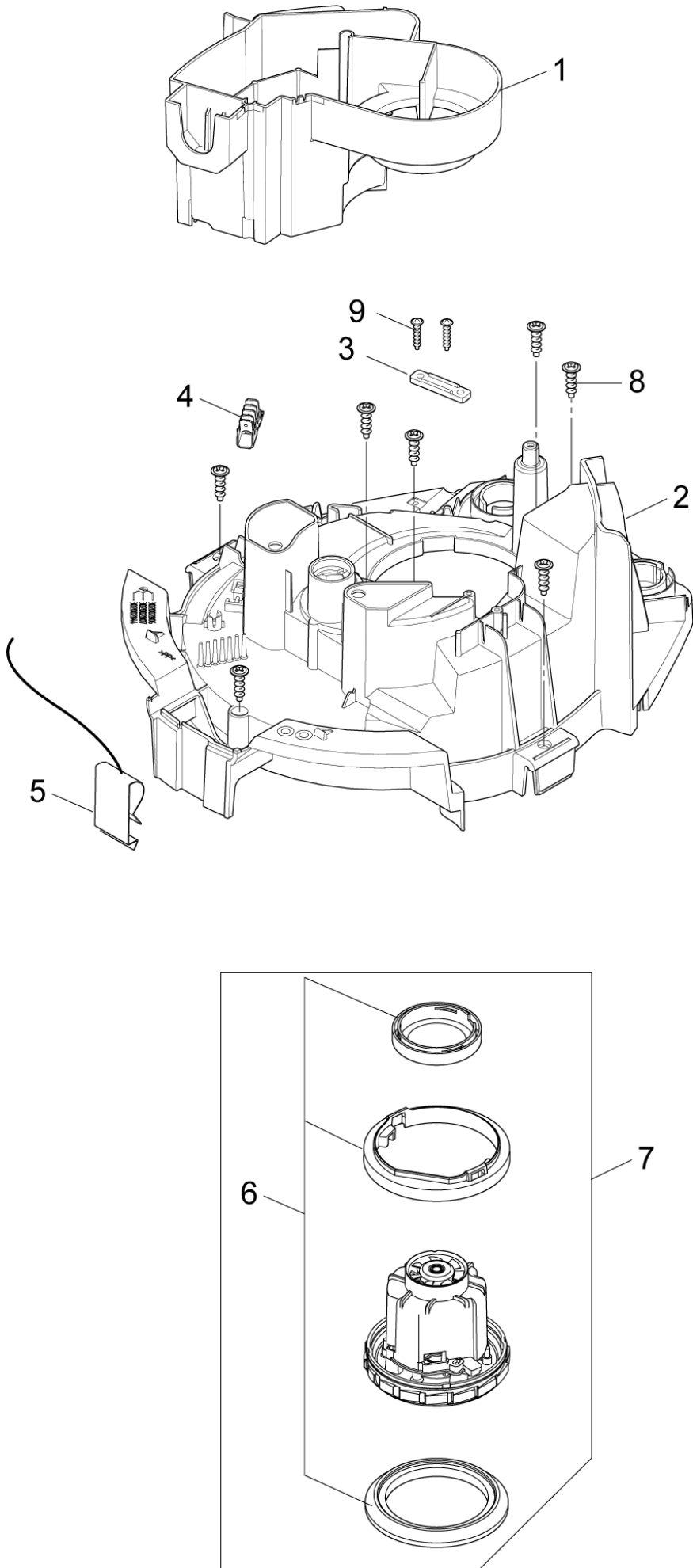
IA	Pos. no.	Qty.	Item no.	Item Text
	1	1	302004010	SOUND INSULATION FRONT
	10	1	107400281	FILTERCASING FLAT FILTER R
	11	1	107400283	SEALING FOR XC
	12	1	107400280	HOSE D3X1.5 FILTER SIDE XC
	13	1	107400279	FILTERBRACKET XC
	14	1	107400285	BAND CLAMP FITTING
	15	1	107400284	HOSE D42X155 FILL LEV. SHUTOFF
	16	1	107400282	FILTERCASING FLAT FILTER L
	17	1	107400449	
	17	1	302002842	FLAT FILTER SET 2 PCS
	2	1	107400275	BASEPLATE XC
	3	9	302004029	SCREW 5X18
	4	1	107400274	O-RING XC KIT
	5	1	302004008	GASKET FOR CONTAINER
	6	1	107400276	SERVO WIRE XC
	7	1	107400278	FILTERBRACKET PLATE XC
	8	1	107400277	CX FLAP KIT
	9	2	302004005	CONTAINER CLAMP

Order Parts Here:

 www.ivie-ent.com/parts Ph:(918)254-5161

Model : 36927 CAV 8 and CAV 12

Drawing : ATTIX30I05 Motor Basic and Push Clean



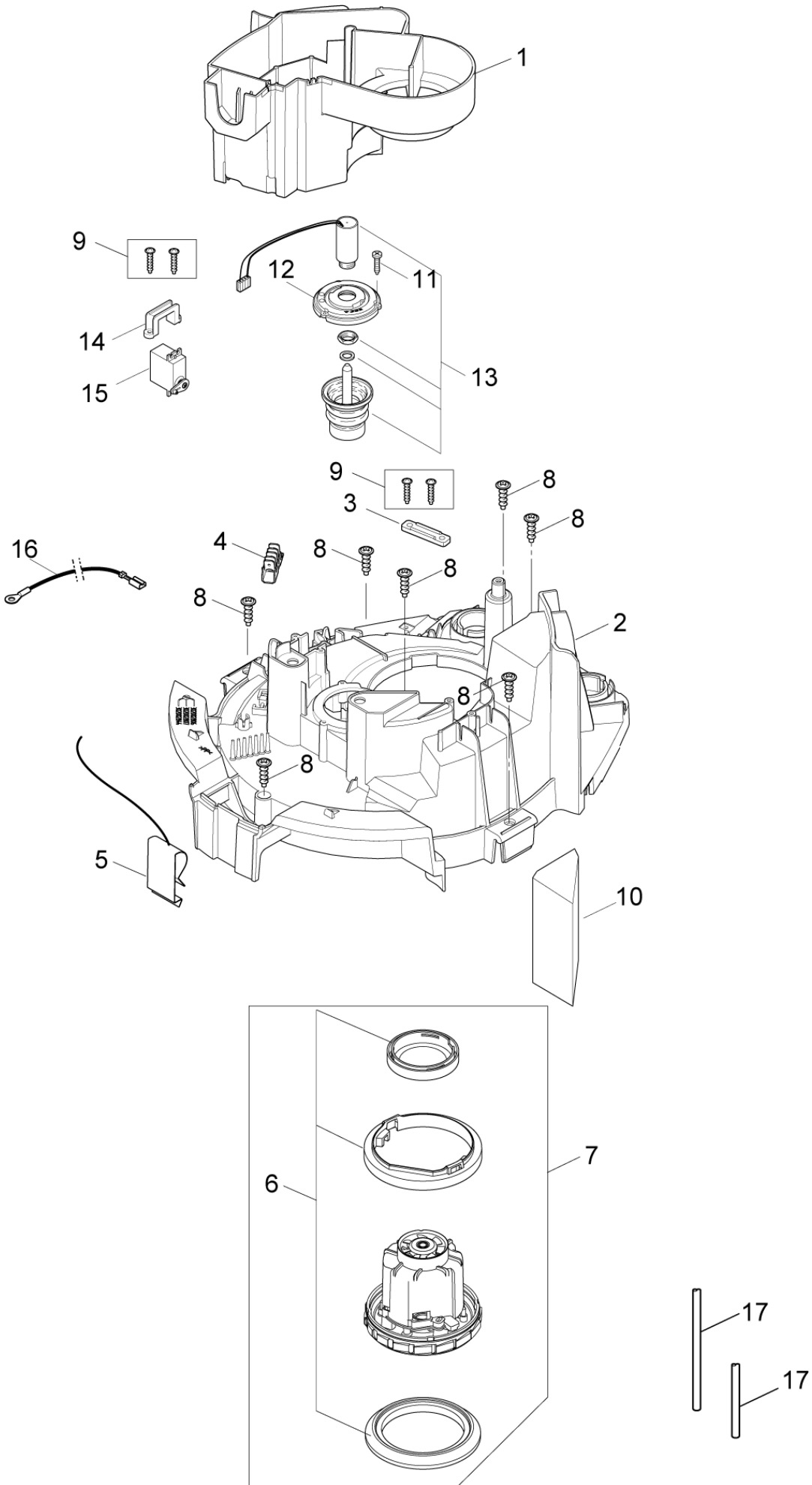
IA	Pos. no.	Qty.	Item no.	Item Text
	1	1	302004015	AIRGUIDE
	10	1	302004045	SOUND INSULATION OUTLET
	2	1	302004009	CLAMPINGPLATE PC
	3	1	302004030	STRAP FOR CABLE
	4	1	302004031	DISTRIBUTION STRIP 6-POL 16A
	5	1	302004023	CONTACT SPRING
	6	1	302003385	SEALING KIT R
	7	1	107400130	TURBINE KIT 1000W 110-120V
	8	1	302004029	SCREW 5X18
	9	1	302004032	SCREW 3.5X18

Order Parts Here:



Model : 36927 CAV 8 and CAV 12

Drawing : ATTIX30I07 Motor XC



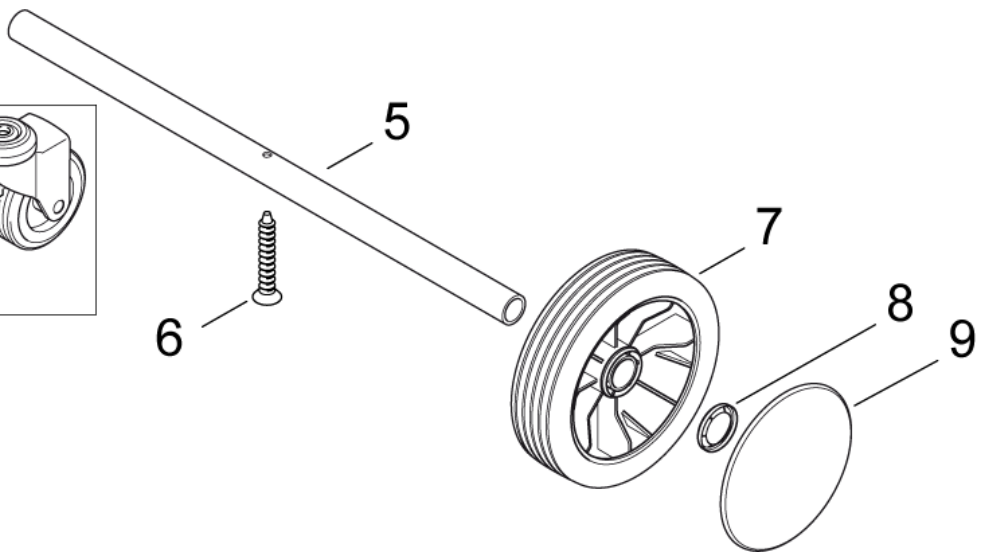
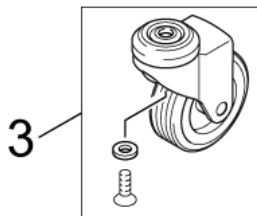
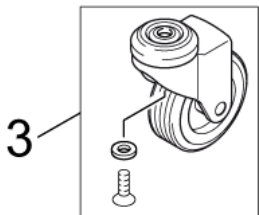
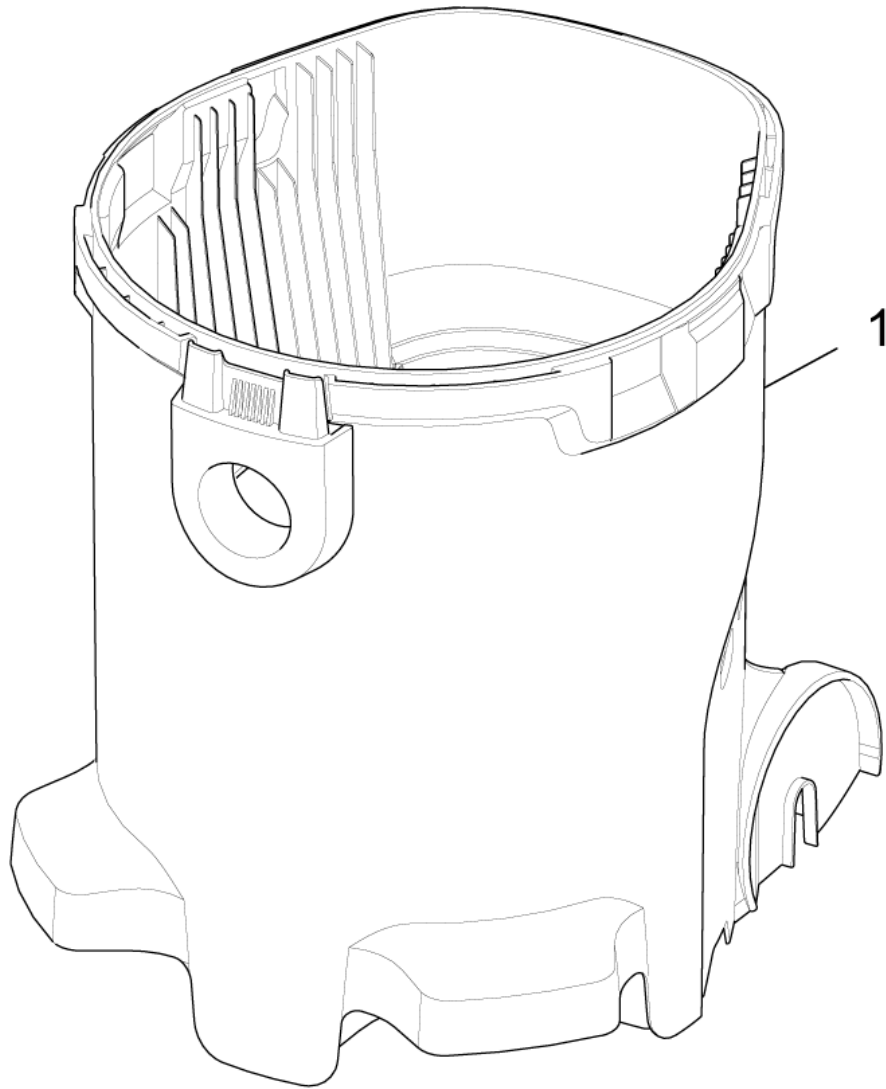
IA	Pos. no.	Qty.	Item no.	Item Text
	1	1	302004015	AIRGUIDE
	10	1	302004045	SOUND INSULATION OUTLET
	11	3	302003319	SCHRAUBEN ATTIX/IVB 9 SET-01
	12	1	107400288	MAGNET MOUNTING PLATE
	13	1	107400292	MAGNET 110V
	14	1	107400289	SERVO BRACKET
	15	1	107400290	SERVO FOR XC
	16	1	26289	
	17	2	107400293	HOSE D3X1.5 TURBINE SIDE XC
	2	1	107400287	CLAMPINGPLATE XC
	3	1	302004030	STRAP FOR CABLE
	4	1	302004031	DISTRIBUTION STRIP 6-POL 16A
	5	1	302004023	CONTACT SPRING
	6	1	302003385	SEALING KIT R
	7	1	107400130	TURBINE KIT 1000W 110-120V
	8	1	302004029	SCREW 5X18
	9	1	302004032	SCREW 3.5X18

Order Parts Here:



Model : 36927 CAV 8 and CAV 12

Drawing : ATTIX5006 Container ATTIX 50



Model : 36927 CAV 8 and CAV 12

11-03-2009 11:44:31

Partlist : CAV812006 Container ATTIX 50

Page : 1

IA	Pos. no.	Qty.	Item no.	Item Text
	1	1	107400507	
	3	2	302004059	FRONT WHEEL FOR CONTAINER
	5	1	302004022	WHEEL AXLE
	6	1	107400063	SCREW 5X35
	7	2	302000639	WHEEL Ø150X20, BLACK
	8	2	47302	CLAMPING RING Ø28,6/Ø20X
	9	2	302001322	HUB CAP

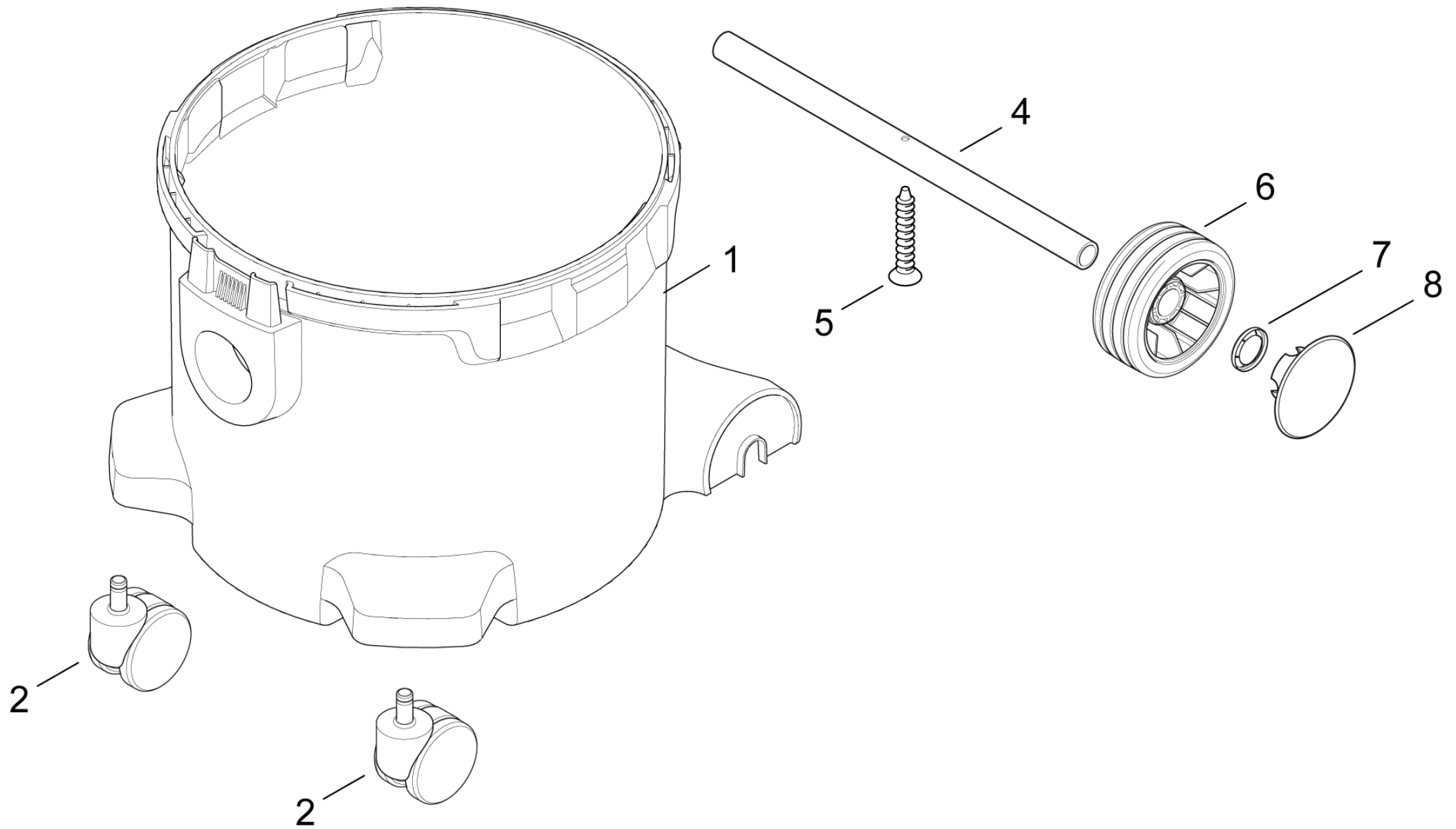
Order Parts Here:



www.ivie-ent.com/parts
Ph:(918)254-5161

Model : 36927 CAV 8 and CAV 12

Drawing : ATTIX3008 Container ATTIX 30



Model : 36927 CAV 8 and CAV 12

11-03-2009 11:44:06

Partlist : CAV812008 Container ATTIX 30

Page : 1

IA	Pos. no.	Qty.	Item no.	Item Text
	1	1	107400506	
	2	2	46298	GUIDE ROLLER Ø 60
	4	1	302004022	WHEEL AXLE
	5	1	107400063	SCREW 5X35
	6	2	302000465	WHEEL Ø100X20
	7	2	47302	CLAMPING RING Ø28,6/Ø20X
	8	2	107400116	

Order Parts Here:

