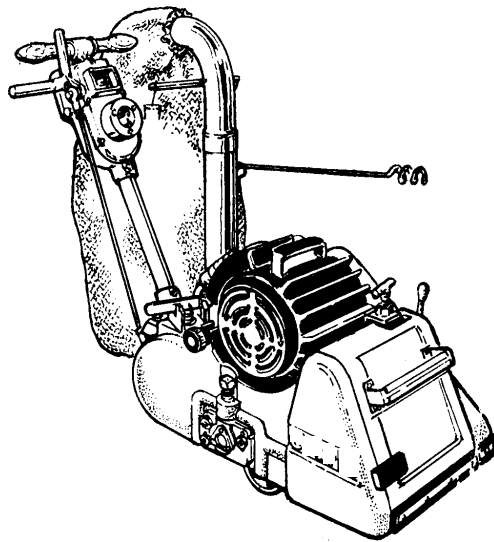


Order Parts Here:



Service Manual



Apollo 8 Belt Sander

READ THIS BOOK

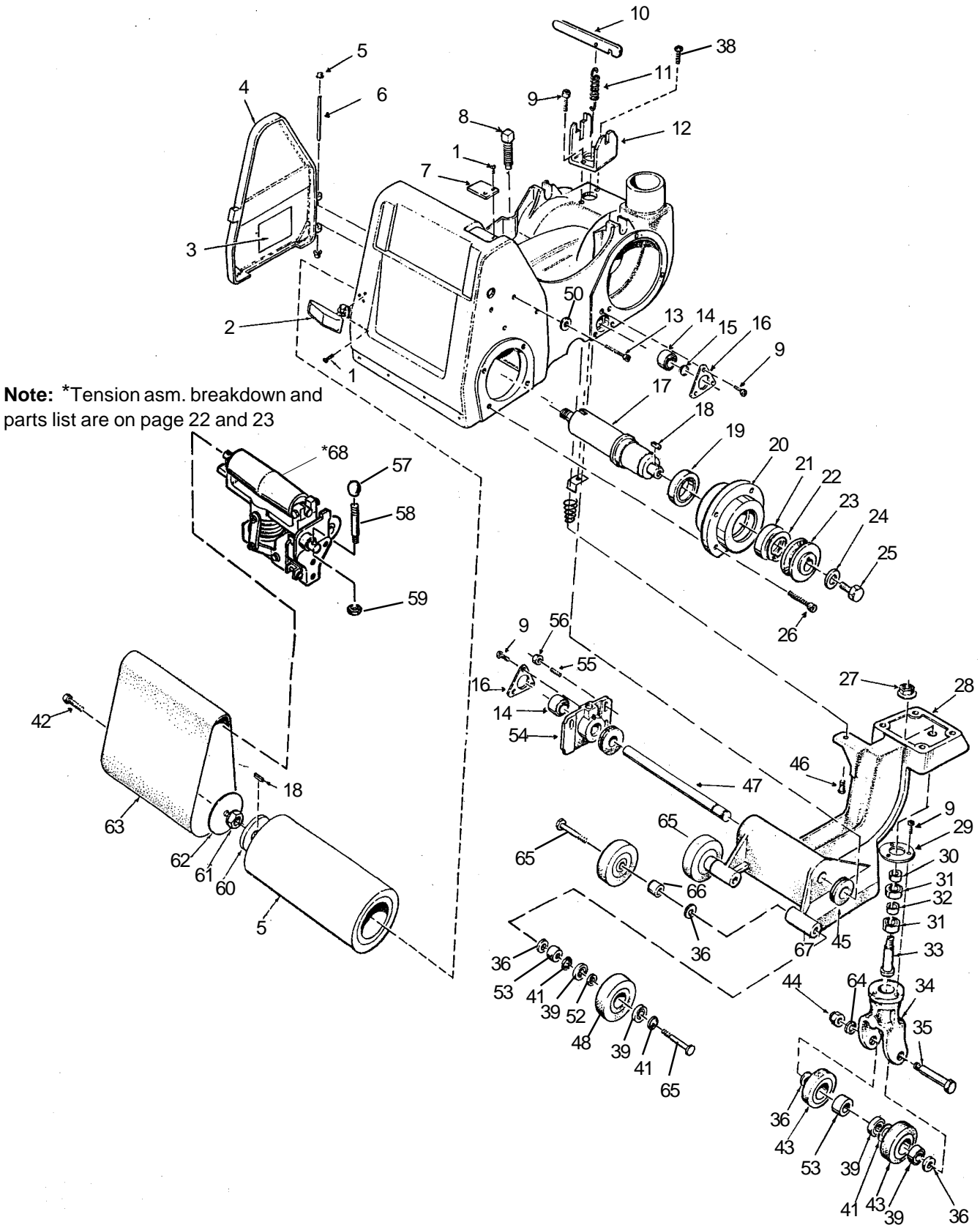
This book has important information for the use and safe operation of this machine. Failure to read this book prior to operating or attempting any service or maintenance procedure to your ALTO machine could result in injury to you or to other personnel; damage to the machine or to other property could occur as well. You must have training in the operation of this machine before using it. If you cannot read English, have this manual explained fully before attempting to operate this machine.

Si Ud. o sus operadores no pueden leer el Inglés, se hagan explicar este manual completamente antes de tratar el manejo o servicio de esta máquina.

All directions given in this book are as seen from the operator's position at the rear of the machine.

For new books write to: ALTO U.S. INC., 2100 Highway 265, Springdale, Arkansas 72764.

AMERICAN SANDERS TECHNOLOGY
Apollo 8 Belt Sander
Assembly Drawing #1 12/00



AMERICANSANDERSTECHNOLOGY
Apollo 8 Belt Sander
Assembly Parts List #1 12/00

Ref No.	Part No	Description	Qty
1	85517A	Screw, 10-24 x ½ PN	5
2	55710A	Latch	1
3	77057A	Label, Belt Tracking	1
4	22302A◆	Door Access	1
5	50765A	Wheel, Contact	2
6	66545A	Pin Access Door	1
7	61411A	Pad, T-Screw	1
8	86206A	Screw, Set, ¾-10 x 3	1
9	962823	Screw, ¼-20 x ½ PN	11
10	60015A	Lever, Pressure Adj.	1
11	58691A	Spring, Pressure	1
12	60014A	Bracket, Pressure Adj.	1
13	86112A	Screw ¾ -16 x ¾	3
14	51190A	Bearing	2
15	57714A	Ring, Retaining ¾" Dia.	1
16	66972A	Retainer, Bearing	2
17	67464A	Shaft, Arbor	1
18	65309A	Key, ¼ x 7/8	2
19	51172A	Bearing	1
20	61641A	Carrier, Bearing	1
21	51171A	Bearing	1
22	57844A	Ring, Retaining	1
23	66189A	Pulley, Drum	1
24	87034A	Retainer, Pulley	1
25	962244	Screw, ¾ -16 x ¾"	1
26	86110A	Screw, ¾ -16 x 1	4
27	81209A	Nut, ½-13 Flanged	1
28	23423C◆	Frame, Truck	1
29	66913A	Retainer, Bearing	1
30	67812A	Spacer	1
31	51112A	Bearing	2
32	67821A	Spacer	1
33	60715B	Bolt, Pivot	1
34	29403C◆	Yoke, Wheel	1

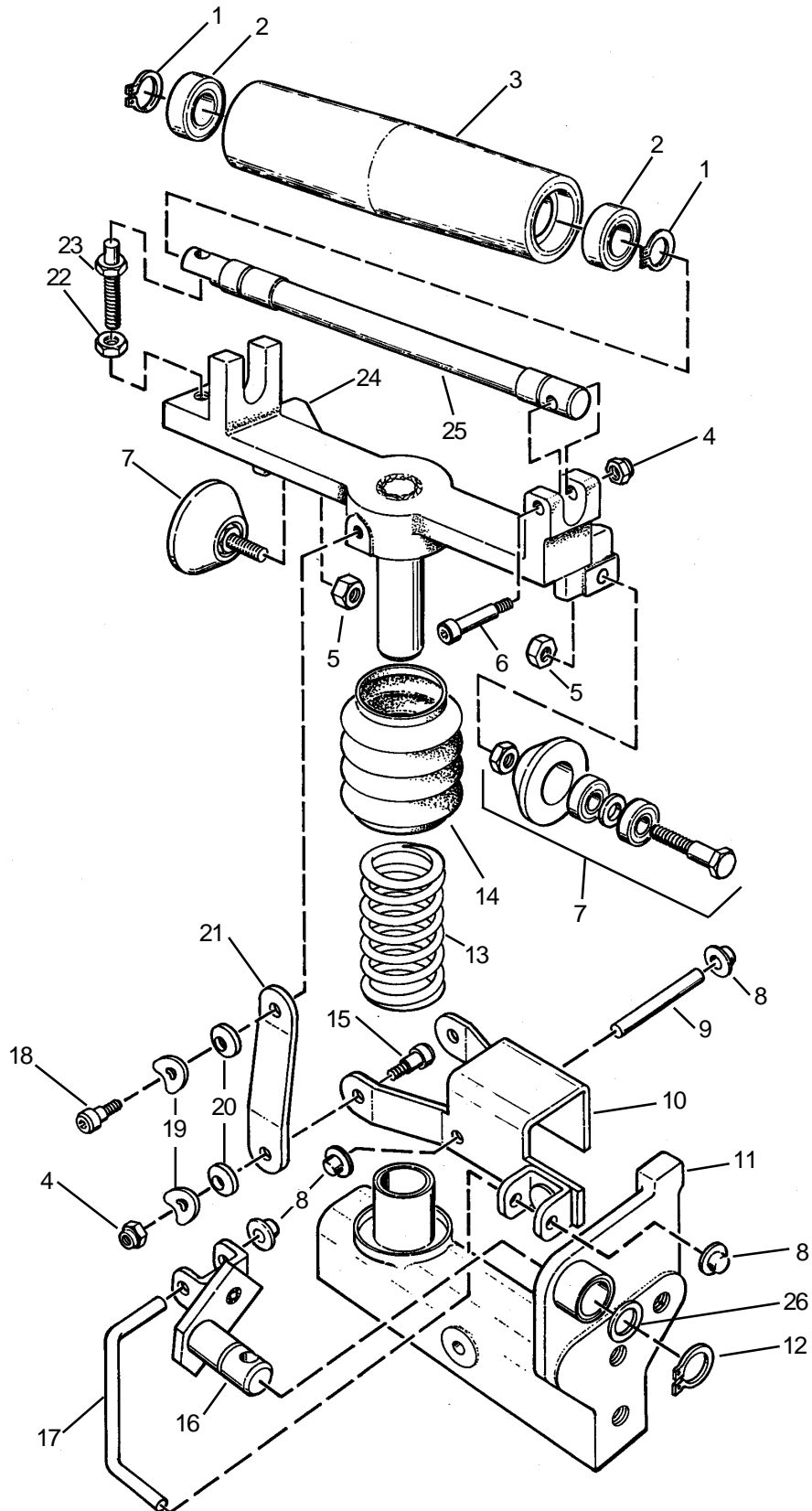
Ref No.	Part No	Description	Qty
35	60101A	Axle, Caster	1
36	87003A	Washer	4
37	50933A	Retainer, Spring	1
38	962988	Screw, ¼-20 x 1 ¼	1
39	902606	Bearing	10
40	Ref. only	Hub (included in Ref. #43)	2
41	747304	Ring, Retaining	8
42	87700A	Screw, ¼-20 x ½	1
43	19611A	Wheel Asm, Rear Caster	2*
44	920196	Nut, ½ -13	1
45	833401	Spacer	1
46	82504A	Pin, Clevis, 5/16 x ¾	1
47	60514A	Axle, Truck	1
48	19610A	Asm. Truck Wheel	3*
49	87029A	Washer ¾	1
50	87000A	Washer, Flat	3
51	50837A	Spring, Compression	1
52	67862A	Spacer	3
53	67810A	Spacer	2
54	21401A	Carrier, Bearing	1
55	68010A	Stud, ¾-16 x ¾-24 x 1 ½	3
56	81215A	Nut, ¾-24 Serrated Flange	3
57	815051	Knob	1
58	64467A	Lever, Release	1
59	920110	Nut, 5/16-18 ESNA	1
60	87030A	Retainer, Drum	1
61	81106A	Nut, ¾-10	1
62	68674A	Plate, Drum, End	1
63	Page 11	Abrasive	Ref
64	87101A	Washer, ½ Lock	1
65	85729A	Shaft Wheel	3
66	67890A	Spacer Wheel	2
67	962184	Screw Set ¼-20 x ¾	2
68**		Tension Assembly	1

Note: ◆ indicates a change has taken place since last publication of this manual

Note: *Includes Hub and Tire (Machined)

Note: **Tension Asm. breakdown and parts list on page 22 & 23

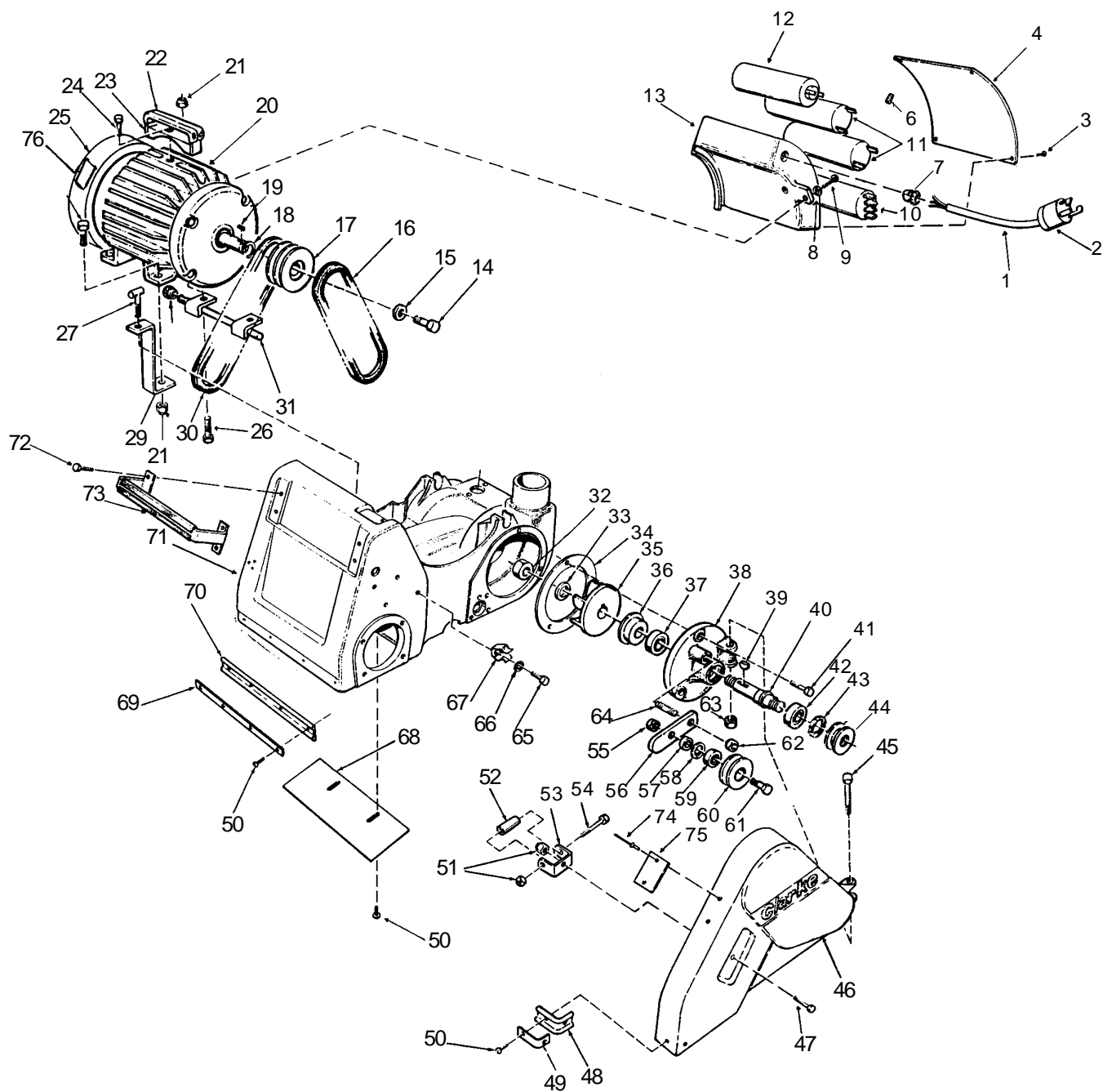
AMERICAN SANDERS TECHNOLOGY
Apollo 8 Belt Sander
Tension Assembly Drawing 10/00



AMERICAN SANDERS TECHNOLOGY
Apollo 8 Belt Sander
Tension Assembly Parts List 10/00

Ref No.	Part No	Description	Qty
1	747380	Retaining Ring ⁹ / ₁₆	2
2	902567	Bearing	2
3	67201B	Roller	1
4	920296	Nut, 10-24	3
5	81102A	Nut, ¹ / ₄ -20	2
6	80020A	Shoulder Bolt, ¹ / ₄ x 1	1
7	14701A	Guide, Roller Asm.	2
8	81501A	Pushnut ¹ / ₄	4
9	66537A	Pin	1
10	50772A	Draw Weldmt.,Lever	1
11	50773A	Support, Tension Arm	1
12	797301	Retaining Ring ⁵ / ₈	1
13	53410A	Spring, Tension	1
14	50719A	Boot, Tension Spring	1
15	961014	Shoulder Bolt, ¹ / ₄ x ³ / ₈	2
16	61804A	Cam Weldment	1
17	65709A	Connecting Link	1
18	80018A	Shoulder Bolt, ¹ / ₄ x ¹ / ₄	2
19	87502A	Washer, ¹ / ₄ Bowed	4
20	87503A	Washer ¹ / ₄ Beveled	4
21	50770A	Draw Link	2
22	81303A	Nut, ¹ / ₄ -28 Jam	1
23	60150A	Aduster, Tracking	1
24	50771A	Carriage, Roller	1
25	67465A	Shaft, Roller	1
26	980018	Washer, Nylon	1

AMERICAN SANDERSTECHNOLOGY
Apollo 8 Belt Sander
Assembly Drawing #2 12/00



AMERICANSANDERSTECHNOLOGY
Apollo 8 Belt Sander
Assembly Parts List #2 12/00

Ref No	Part No.	Description	Qty
1	41945A	Motor, Cord	1
2	45604A	Plug	1
3	962330	Screw, 6-32 x 3/8	4
4	73715A	Plate, Elec./Fire Warning	1
6	170674	Wire, Nut	2
7	697502	Strain, Relief	1
8	980614	Washer, 1/4	2
9	962823	Screw, 1/4-20 x 1/2 Pn	2
10	47378A	Switch, Start	1
11	41305A	Capacitor, Start	2
12	41304A	Capacitor, Run	1
13	22904A	Enclosure, Motor Start	1
14	962244	Screw, 3/8-16 x 3/4 Hx	1
15	87034A	Retainer, Pulley	1
16	51032A	Belt, Fan	1
17	66189A	Pulley, Motor	1
18	57712A	Ring, Retaining 1 1/8	1
19	915098	Key, 1/4 x 1 1/2	1
20◆	44639A	Motor, 4HP 230V 60Hz	1
◆	44664A	Motor, 2.2kW, 240V 50Hz	1
21	920342	Nut, 3/8-16 ESNA	4
22	32357A	Cover, Handle	4
23	64460A	Handle, Motor	1
24	962870	Screw, 3/8-16 x 1 BT	1
25	52769A	Cover, Fan	1
26	85703A	Screw, 3/8-16 x 1 1/2 Hx	4
27	68394A	Screw-T	1
28	65304A	Knob, Motor Mounting	1
29	65959A	Mount, Motor Front	1
30	51024A	Belt, 3V x 375	1
31	65960A	Mount, Motor Rear	1
32	81202A	Nut, 7/16 LH	1
33	87002A	Washer	1
34	34264A	Gasket, Fan, Cover	1
35	23301A	Fan	1
36	61602A	Collar, spacer	1
37	902567	Bearing	1
38◆	22126C	Cover, Fan	1

Ref No	Part No.	Description	Qty
39	65302A	Key	1
40	67445A	Shaft, Fan	1
41	85813A	Screw, 5/16-18 x 1 Hx	3
42	51111A	Bearing	1
43	877304	Ring, Retaining	1
44	66169A	Pulley, Fan	1
45	80017A	Bolt, Shoulder, 3/8 x 3/4	1
46◆	23808A	Guard, Belt	1
47	85700A	Screw, 1/4-20 x 1 Hx	1
48	31221A	Bumper, Side	1
49	66932A	Retainer, Side, Bumper	1
50	85517A	Screw, 10-24 x 1/2	8
51	81102A	Nut, 1/4-20 ESNA	2
52	68393A	Tube, Latch	1
53	60623A	Bracket, Latch	1
54	85702A	Screw, 1/4-20 x 1 3/4	1
55	171101	Nut, 3/8-16 Serrated Flange	1
56	60414A	Arm, Idler	1
57	67875A	Spacer	1
58	57801A	Ring, Retaining	1
59	902619	Bearing	1
60	66170A	Pulley, Idler	1
61	962216	Screw, 3/8-16 x 1 1/4	1
62	81108A	Nut, 3/8-24	1
63	920110	Nut, 5/16-18 ESNA	1
64	68010A	Stud, 3/8-16 x 3/8-24 x 1 1/2	1
65	86111A	Screw, 1/4-20 x 1/2	1
66	980657	Washer 1/4 Lock	1
67	61600A	Clip	1
68	67614A	Shoe, Dust	1
69	66971A	Retainer, Bumper	1
70	31232A	Bumper, Front	1
71◆	25906A	Mainframe	1
72	87700A	Screw, 1/4-20 x 1/2 B.H.	4
73	64489A	Handle, Front	1
74	930093	Rivet	2
75	74045A	Label, Warning, Moving Parts	1
76	77234A	Label, Warning, Lifting	1

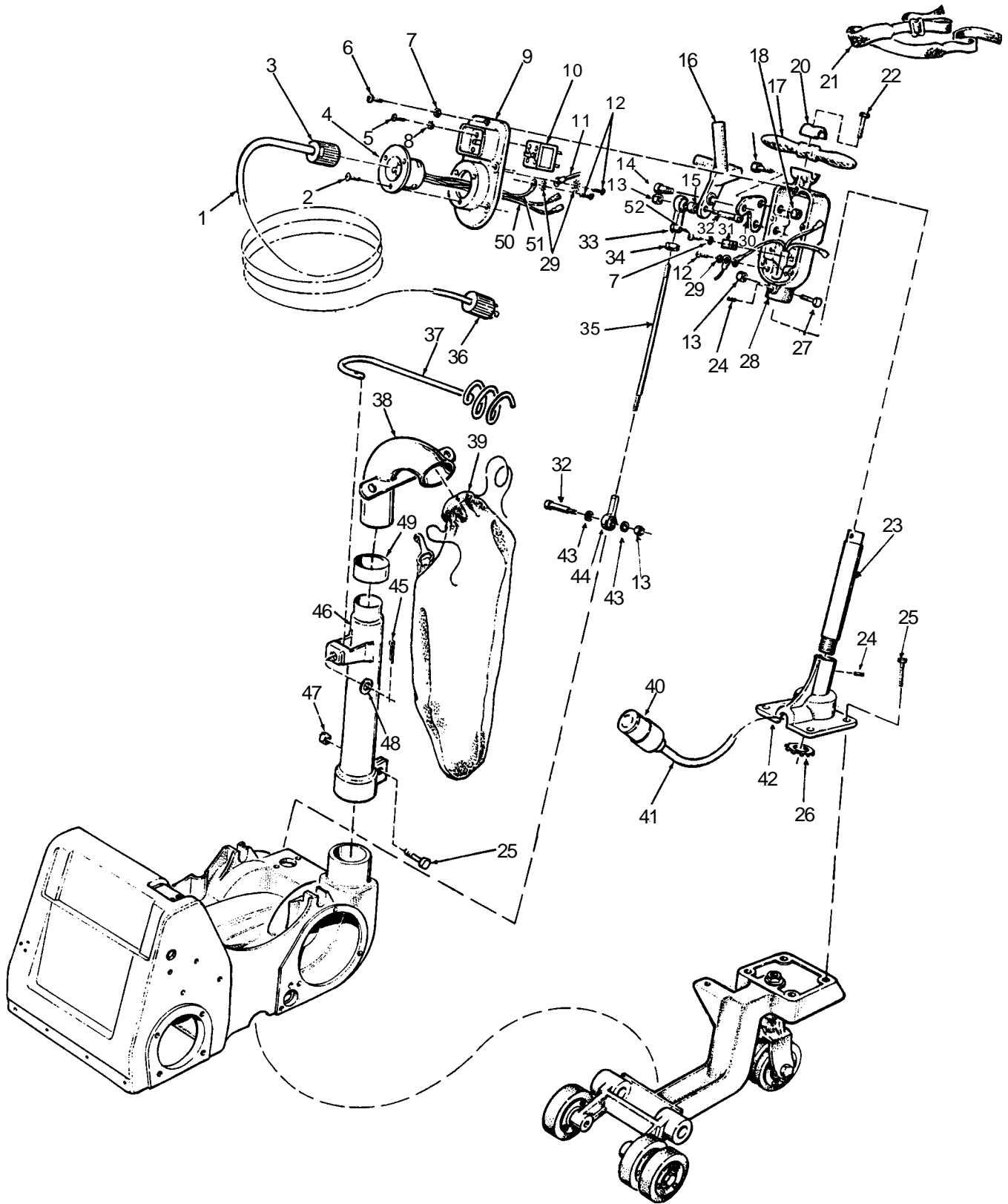
Note: ◆ indicates a change has taken place since last publication of this manual

Motor Parts Not Illustrated

Part #	Description	Qty.
52768A	Front Cover	1
53998A	Fan	1
52769A	Fan Cover	1

Part #	Description	Qty.
51188A	Bearing Front	1
902547	Bearing Rear	1
40316A	Armature Assembly	1

AMERICAN SANDERSTECHNOLOGY
Apollo 8 Belt Sander
Assembly Drawing #3 12/00



AMERICANSANDERSTECHNOLOGY
Apollo 8 Belt Sander
Assembly Parts List #3 12/00

Ref. No	Part No.	Description	Qty
1◆	42201A	Cord Set 230V 60 Hz	1
	42302A	Cord Set, 240V 50 Hz	1
2	962065	Screw, 8-32 x ¼	3
3◆	41706A	Connector, NEMA	1
4◆	43501A	Inlet, NEMA	1
5	85313C	Screw, 6-32 x ¾	4
6	962794	Screw 10 x 24 x 1	5
7	980650	Washer, ⅜ Lock	7
8	980607	Washer, 1106	4
9◆	22127C	Cover, Switch, Box	1
10◆	41411A	Switch, Circuit Breaker	1
11	48901A	Asm., Wire	1
12	962015	Screw, 10-24 x ⅜	5
13	920110	Nut, ⅝-18 ESNA	4
14	80022A	Bolt, Shoulder ½ x ⅝	1
15	898203	Spacer	1
16	25603A	Lever, Control	1
17	962481	Screw ¼-20 x 1¼	2
18	81102A	Nut ¼-20 ESNA	2
19	64405A	Handle, Steering	1
20◆	21904C	Clamp, Handle	1
21	60724A	Belt, Operating	1
22	85818A	Screw, ⅝-18 x 2½	1
23	60016A	Pipe, Handle	1
24	86200A	Screw, Set ⅜-16 x ⅝	2

Note: ◆ indicates a change has taken place since last publication of this manual

Ref. No	Part No.	Description	Qty
25	962288	Screw, ⅜-16 x 1	5
26	82104A	Nut, ¼ NPS	1
27	85816A	Screw, ⅝-18 x 1¾	1
28◆	20704C	Box, Switch	1
29	980699	Washer, 1110	3
30	69441A	Bracket, Control Lever	1
31**	51074A	Clamp, Cable	2
32	80035A	Bolt, Shoulder, ⅜x1¼	2
33	53537A	Rod, End	1
34	920204	Nut, ⅜-24	1
35	67150A	Rod, Control	1
36◆	45608A	Plug, NEMA	1
37	60401A	Arm, Cable	1
38	62800A	Elbow, Dust, Pipe	1
39	60721A	Bag, Dust	1
40	41707A	Connector	1
41	41917A	Cord, Interconnect	1
42◆	23200C	Mount, Control, Handle	1
43	980022	Washer, Wave	2
44	53538A	Rod, End	1
45	925036	Pin, Cotter	1
46	66150A	Pipe, Dust	1
47	920342	Nut, ⅜-16 ESNA	1
48	980651	Washer, ⅜-Plain	1
49	38109A	Seal, Dust Pipe	1
50	49023A	Wire Asm.	2
51	48901A	Wire Asm. Gnd	1
52**	85517A	Screw 10-24 x ½	2
NI	77039B	Label "Made in USA"	1

NOTE: **#31 & #52 only one shown

AMERICAN SANDERS TECHNOLOGY
 Apollo 8 Belt Sander
 Wiring Diagram 4/95

