

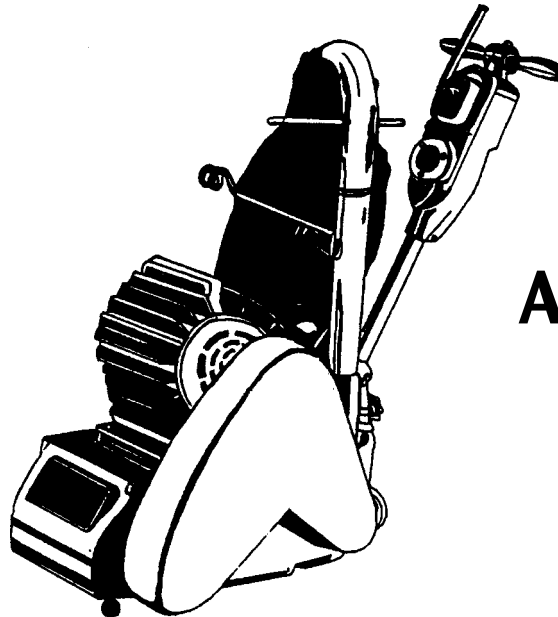
Order Parts Here:



ALTO[®]

AMERICAN SANDERS
TECHNOLOGY

**Service
Manual**



American 8

READ THIS BOOK

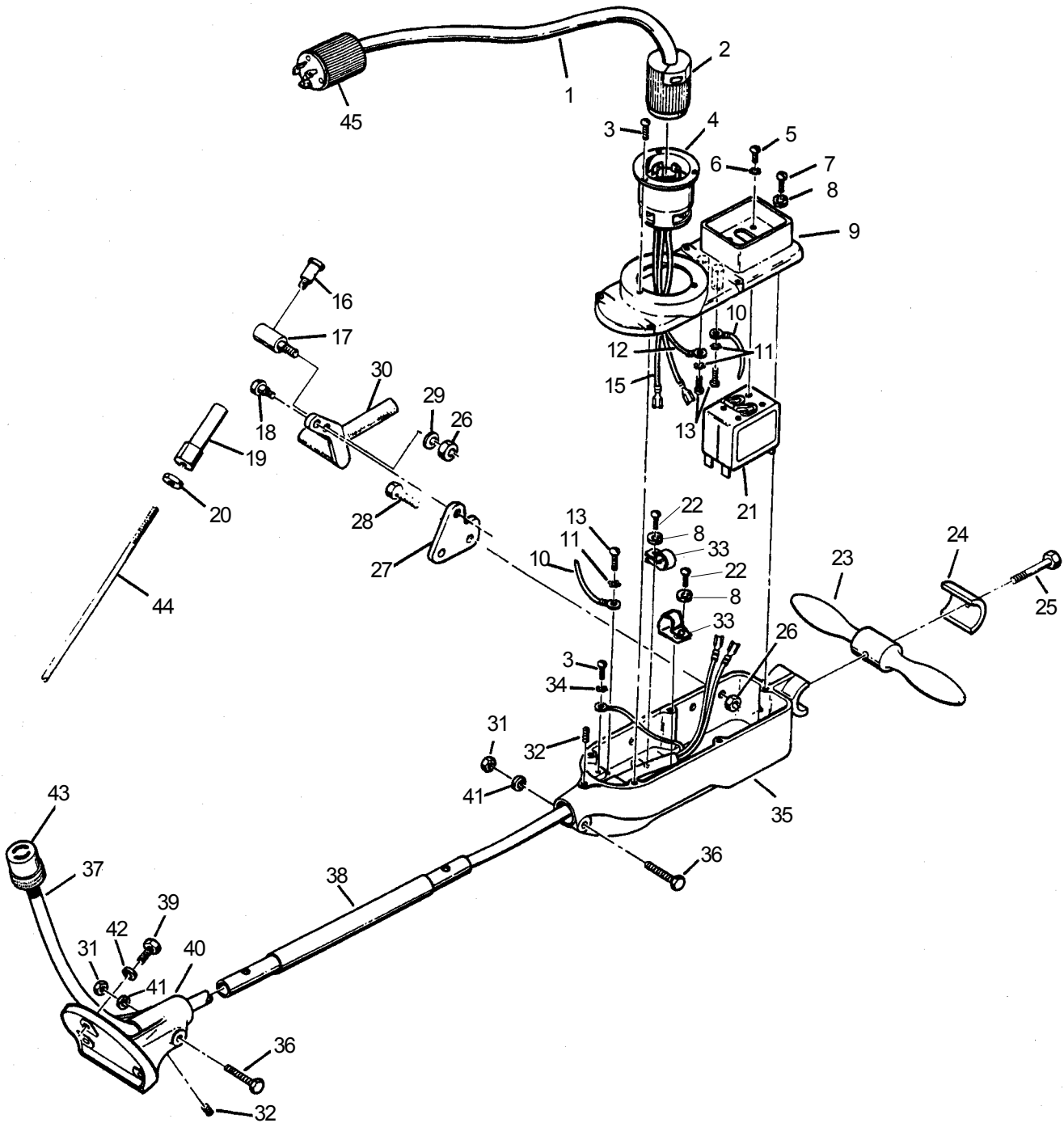
This book has important information for the use and safe operation of this machine. Failure to read this book prior to operating or attempting any service or maintenance procedure to your ALTO machine could result in injury to you or to other personnel; damage to the machine or to other property could occur as well. You must have training in the operation of this machine before using it. If your operator cannot read this manual, have it explained fully before attempting to operate this machine.

Si Ud. o sus operadores no pueden leer el Inglés, se hagan explicar este manual completamente antes de tratar el manejo o servicio de esta máquina.

All directions given in this book are as seen from the operator's position at the rear of the machine.

For new books write to: ALTO U.S. INC., 2100 Highway 265, Springdale, Arkansas 72764.

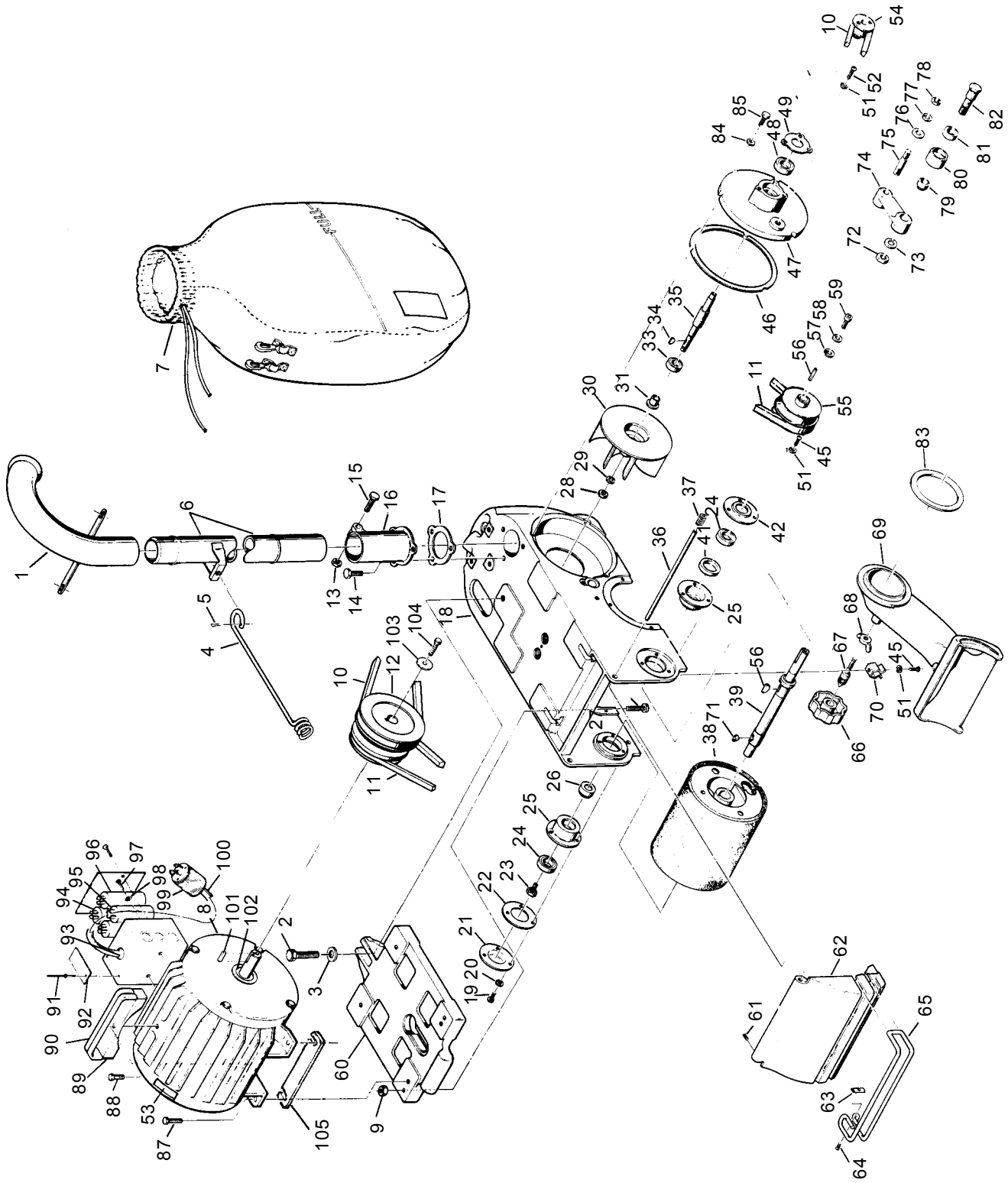
AMERICAN SANDERS TECHNOLOGY
Model American 8 Floor Sander
Drawing #1 Handle Assembly 12/00



AMERICAN SANDERS TECHNOLOGY
Model American 8 Floor Sander
Parts List #1 Handle Asembly 12/00

Ref No.	Part No	Description	Qty
1	ref.	Cord Set	1
2	41706A	Connector	1
3	962065	Screw - 8-32 x ¼ Pn St Mach	4
4	43501A	Inlet - 20A, 250V	1
5	962070	Screw - 6-32 x ¼ Pn St Mach	4
6	980607	Washer - #1106 Shakeproof	4
7	962794	Screw - 10-24 x 1	5
8	980650	Washer - ¾ Lock	7
9	22127C	Cover - Switch Housing	1
10	48901A	Wire Ass'y - Green	1
11	980699	Washer - #1210 Shakeproof	3
12	48900A	Wire Assembly Ground	1
13	85393A	Screw - 10-24 x ¼ Pn St Mach	3
14			
15	49023A	Wire Ass'y - Black	2
16	80021A	Bolt ¾ x 5/8	6
17	66151A	Pivot Control Rod	1
18	80022A	Bolt , Shoulder ½ x 5/8	1
19	67129A	Adjuster, Control Rod	2
20	920148	Nut ¾ - 16	1
21	41411A	Switch - Circuit Breaker	1
22	85517A	Screw - 10-24x½	2
23	64405A	Handle - Steering	1
24	21904C	Clamp	1
25	85818A	Screw 5/16 -18x 2½ Hex St	1
26	920284	Nut ¼-20	2
27	66694A	Plate, Control Lever	1
28	85393A	Screw ¼-2 x 1¼	2
29	980646	Washer ¼	1
30	25602A	Lever, Control	1
31	920256	Nut - 5/16-18 Hex	3
32	86200A	Screw ¾ -16 x 5/8 St St Dogpt	2
33	51074A	Clamp - Cord	2
34	980621	Washer - .1681 x .3700 SH 1108	1
35	20704C	Housing - Switch	1
36	85816A	Screw - 5/16 -18x1¾	2
37	41917A	Cord - Interconnecting	1
38	66116C	Pipe - Handle	1
39	962288	Screw - ¾-16 X 1" Hex St Mach	3
40	21105C	Mount - Handle	1
41	980652	Washer -.319 x .586 x .078 St Lk	2
42	980638	Washer - ¾ Lt Spring Type	3
43	41707A	Connector	1
44	67143A	Rod Control	1
45	45608A	Plug	1

AMERICAN SANDERSTECHNOLOGY
Model American 8 Floor Sander
Drawing #2 12/00



AMERICANSANDERS TECHNOLOGY
Model American 8 Floor Sander
Parts List #2 12/00

Ref #	Part No.	Description	Qty
1	62800A	Pipe - Ass'y	1
2	85706A	Screw - 1/2 - 13 x 1 1/4 Hex St	1
3	87006A	Washer - .56 X 1.38 X .11 Flat	1
4	60401A	Arm - Cable	1
5	925036	Pin - Cotter	1
6	66110A	Pipe Ass'y	1
7	50954A	Dust - Bag	1
8	44639A	Motor 230/60	1
	44640A	Motor 240/50	1
9	920260	Nut - 3/8-16 x 5/16 Hex	2
10	50920A	Belt - V	1
11	51024A	Belt - V	1
12	66168A	Pulley - Motor	1
13	920256	Nut 5/16 - 18 Hex	1
14	85820A	Screw - 3/8-16 x 5/8 Hex St Cap	3
15	85816A	Screw - 5/16-18 x 1 3/4 Hex St Flt	1
16	27801C	Support - Dust Pipe	1
17	34223A	Gasket - Pipe Support	1
18	23405B	Frame - Main	1
19	962016	Screw - 10-24 x 1/2 Pn St Mach	3
20	980650	Washer - 1941 x 3230 x 040 Lk	3
21	62608C	Cover - Housing Drum	1
22	54305A	Gasket	1
23	67316A	Screw - Drum Lock	1
24	51110A	Bearing - Ball	2
25	64703A	Housing - Bearing Shaft	2
26	67811A	Spacer - Drum	1
27	69032A	Screw - Motor Locating	2
28	81202A	Nut - 7/16-14 Hex L.H.	1
29	87002A	Washer - .47 x .94 x .06 Flat St	1
30	23301A	Fan	1
31	61602A	Collar	1
33	902567	Bearing Ball	1
34	65302A	Key - 1/8 x 1/2 #3 Woodruff	1
35	67411A	Shaft - Fan	1
36	67414A	Shaft - Drum Cover	1
37	67911A	Spring	1
38	13501A	Drum - RM	1
39	67425A	Shaft Drum	1
NI	18601A	Shaft Ass'y Drum includes 56, 39, 71	(1)
41	67313A	Spacer - Drum Bearing	1
42	66918A	Retainer - Bearing	1
45	962983	Screw - 1/4-20 x 5/8 Pn St Mach	4
46	34225A	Gasket - Plate Support	1
47	26503C	Plate Support - Fan	1
48	51111A	Bearing Ball	1
49	62001A	Cap - Bearing	1
50 *	38109A	Seal Dust Pipe	1
51	980657	Washer - 17/64 I x 31/64 O x 1/16	7
52	962823	Screw - 1/4 - 20 x 1/2 Pn St Mach	3
53	77234A	Label, Lifting Warning	1

Ref #	Part No.	Description	Qty
54	66169A	Pulley - Fan Shaft	1
55	66167A	Pulley - Drum	1
56	80501A	Key - 5/16 Sq. x 1.25	2
57	68703A	Washer - Drum Pulley	1
58	980652	Washer - .319 x .586 x .078	1
59	962258	Screw - 5/16-18 x 1" Soc Cap	1
60	26107C	Platform Motor	1
61	962262	Screw - 8-32 x 1/4 St St Cup Pt	1
62	22101A	Cover-Drum	1
63	62404A	Clamp - Bumper Rear	1
64	962348	Screw - 10-24 x 1/2 Flat St Cap	1
65	31210A	Bumper - Drum Cover	1
66	26900A	Ring - Lock-Pan-Dust	1
67	67311A	Screw	1
68	81900A	Nut - 7/16 - 14 Hex St	1
69	26100A	Pan - Dust	1
70	61600A	Clip - Dust	1
71	65301A	Key #606	1
72	920280	Nut - 5/8 - 18 x 3/8 Hex Jam	1
73	87102A	Washer - .62 x 1.09 x .16	1
74	20400B	Arm Idler	1
75	68000A	Stud - Idler	1
76	87005A	Washer - .52 x 1.00 x 1.00	1
77	87101A	Washer - .50 X .12 Lock St	1
78	920132	Nut - 1/2-20 Hex Jam	1
79	67813A	Spacer - Idler Bearing	1
80	67701A	Sleeve - Idler	1
81	902550	Bearing	1
82	67317A	Shaft - Idler	1
83	34222A	Gasket - Pan Dust	1
84	980651	Washer-11/32 x 11/160 X 1/16	3
85	85811A	Screw - 3/8-18 x 3/4	3
86	962103	Screw - 5/16-18 x 3/8	2
87	962216	Screw - 3/8-16 x 1/4	4
88	962870	Screw - 3/8-16 x 1	1
89	64460A	Handle Motor	1
90	32357A	Cover Handle	2
91	930087	Rivet	2
92	74044A	Plate Safety	1
93	697502	Strain Relief	1
94	41305A	Capacitor Start	2
95	41304A	Capacitor Run	1
96	47378A	Switch Start	1
97	962823	Screw - 1/4-20 x 1/2	2
98	980614	Washer	2
99	45604A	Plug Locking	1
100	41945A	Cord Motor	1
101	915098	Key 1/4-52 x 1 1/2	1
102	57712A	Ring Retaining	1
103	87034A	Retainer Pulley	1
104	962288	Screw 3/8-16 x 1	1
105	67642A	Shim, Motor	4

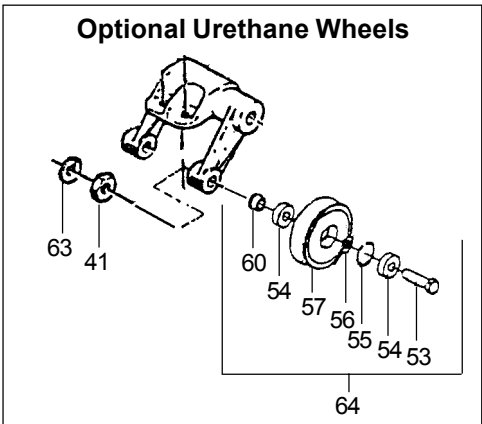
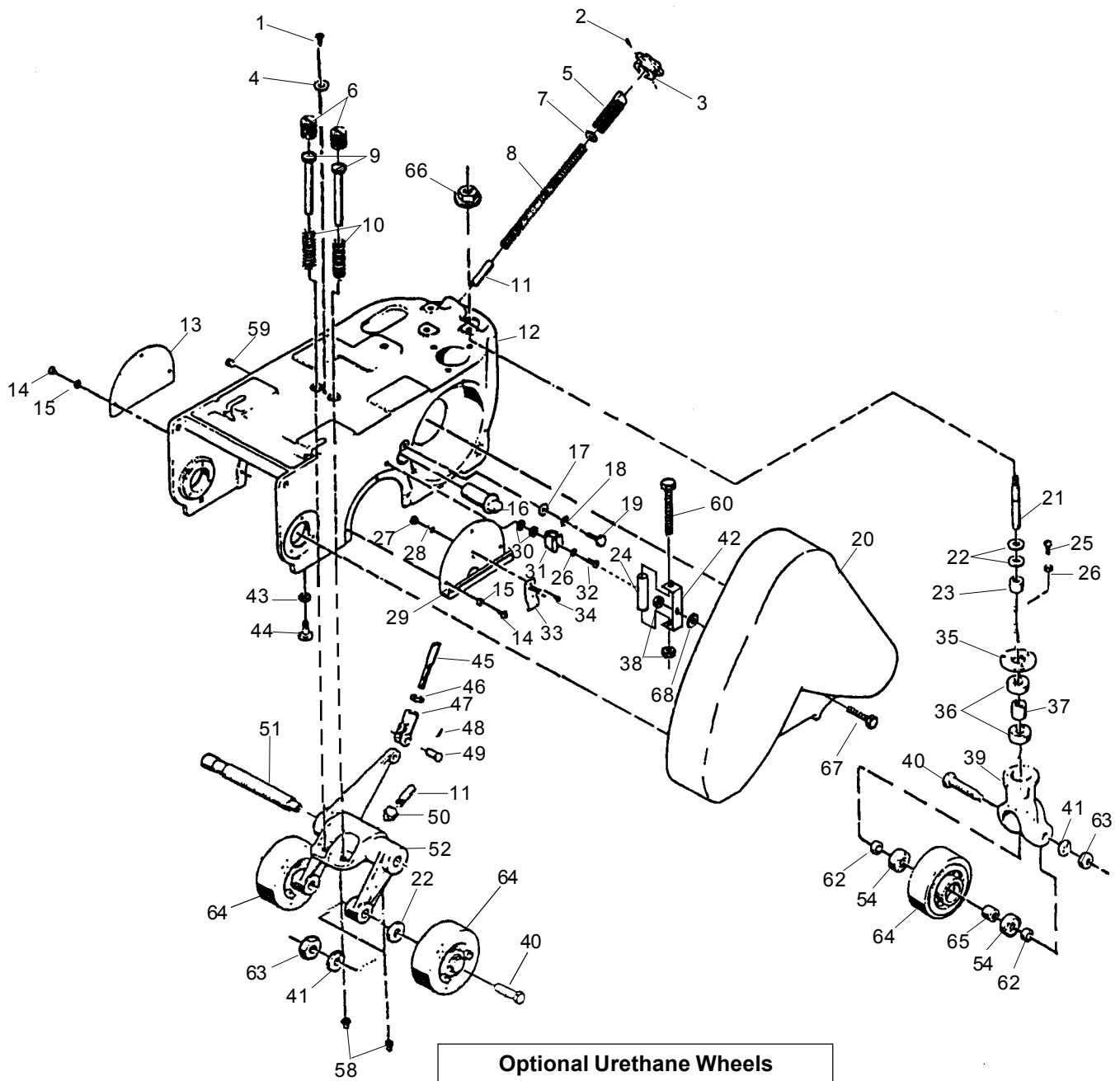
*NOTE: #50 not illustrated.

Motor Parts Not Illustrated

Part #	Description	Qty.
50563A	End Bell	1
52768A	Front Cover	1
53998A	Fan	1
52769A	Fan Cover	1

Part #	Description	Qty.
51188A	Bearing Front	1
902547	Bearing Rear	1
40316A	Armature Assembly	1

AMERICAN SANDERS TECHNOLOGY
American 8 Floor Sander
Assembly Drawing #3 6/01



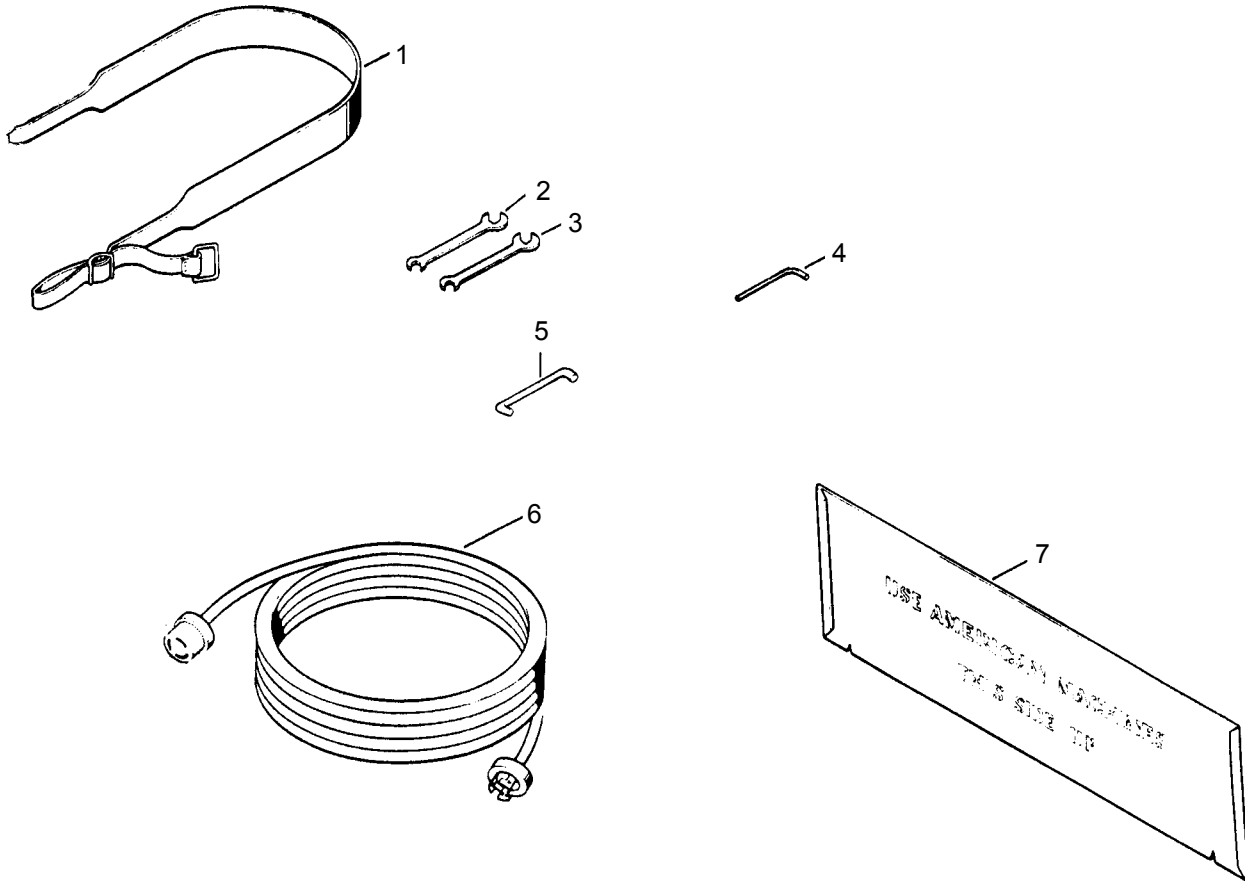
AMERICAN SANDERS TECHNOLOGY
American 8 Floor Sander
Assembly Parts List #3 6/01

07032C
07048C
07105A
07106A

Ref. No	Part No.	Description	Qty	Qty
1	962052	Screw - 10-24 x 1/2 Fit St Mach	1	1
2	962161	Screw - 10-24 x 3/8 St St Cuppt	2	2
3	25200C	Knob - Hand	1	1
4	66912A	Retainer, Screw Adjusting	1	1
5	67309A	Screw	1	1
6	67312A	Screw	2	2
7	87000A	Washer	1	1
8	67905A	Spring	1	1
9	66123A	Plunger, Spring	2	2
10	67906A	Spring	2	2
11	67107A	Rod - Pivot	1	1
12	23405B	Frame, Main	1	1
13	66628C	Plate, Cover Wheel	1	1
14	962015	Screw, 10-24 x 3/8 Pn St Mach	6	6
15	980650	Washer, Lock	6	6
16	62801A	Eccentric	1	1
17	87007A	Washer, Control Shaft Eccentric	1	1
18	980614	Washer, #1114 Shakeproof	1	1
19	85700A	Screw, 1/4-20 x 1" Hex	1	1
20	70224B	Kit Guard, Belt	1	1
21	60715B	Bolt, Pivot	1	1
22	87003A	Washer, .59 x 1.00 x .09 Flat	4	2
23	67812A	Spacer, Bracket	1	1
24	51069A	Tube, Latch	1	1
25	962823	Screw, 1/4-20 x 1/2 Pn St Mach	3	3
26	980657	Washer, 17/64 I x 31/64 O x 1/16	4	4
27	920112	Nut, #6-32 Hex	2	2
28	980607	Washer, #1106 Shakeproof	2	2
29	66627A	Cover, Truck Wheel	1	1
30	87004A	Washer, Fit St	2	2
31	61600A	Clip, Dust	1	1
32	962983	Screw, 1/4-20 x 5/8 Pn St Mach	1	1
33	63904A	Clamp, Belt Guard	1	1
34	85313C	Screw, 6-32 x 3/8 Pn St Mach	2	2
35	66913A	Retainer, Bearing	1	1
36	51112A	Bearing, Ball	2	2
37	67821A	Spacer	1	1
38	81102A	Nut, 1/4-20 ESNA	2	2
39	29403C	Yoke, Wheel	1	1
40	60101A	Axle	3	1
41	87101A	Washer	3	3
42	51071A	Bracket, Latch	1	1
43	920160	Nut 5/16 -18	1	1
44	86201A	Screw 5/16 -18 x 1"	1	1
45	67143A	Rod, Control	1	1
46	920260	Nut 3/8 -16 x 5/16	1	1
47	53917B	Clevis, Control Rod	1	1
48	925036	Pin, Cotter 3/32 x 3/4	1	1
49	66503A	Pin, Fork	1	1
50	62000A	Nut, End	1	1
51	67412A	Shaft, Control	1	1
52	21101A	Bracket, Truck Wheel	1	1
53◆	60547A	Axle	-	2
54◆	51225A	Bearing, Ball	6	6
55◆	167312	Ring, Retainer	-	2
56◆	60481A	Spacer	-	2
57◆	50992A	Wheel, Asm.	-	2
58	54000A	Fitting, Lub	2	2
59	57101A	Plug, Soft	1	1
60◆	60544A	Spacer	2	2
62	67810A	Spacer	2	2
63◆	920196	Nut, 1/2 - 13	3	3
64	59928A	Wheel (Steel)	3	-
◆	10243A	Kit, Wheel (Urethane)(Optiona)	-	-
◆	59907A	Wheel (Canvas)	-	1
65	67817A	Spacer	1	-
66	81209A	Nut, 1/2-13 Flange	1	1
67	85806A	Screw, 1/4-20 x 3/4	1	1
68	87007A	Washer, 1/4- 3/4 x .06	1	1

NOTE: ◆ indicates a change has been made since the last publication of this manual.

AMERICANSANDERSTECHNOLOGY
American 8 Floor Sander
Accessories Drawing & Parts List #4 12/00



Ref. #	Part No.	Description	Qty
1	60724A	Belt, Operating	1
2	59811A	Wrench, End $\frac{3}{4} \times \frac{7}{16}$	1
3	59810A	Wrench, End $\frac{9}{16} \times \frac{7}{16}$	2
4	59815A	Wrench $\frac{5}{32}$	1
5	64415A	Handle, Carrying	1
6	42201A	Cord Set 230V 60Hz	1
	40010A	Cable Australia	1
7	68315A	Template	1

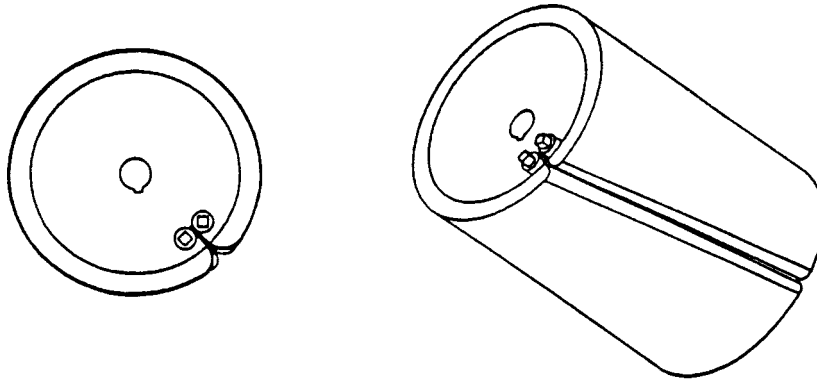
Chatter □ Wave Prevention

American Sanders Technology Sanders are designed and manufactured to the most rigid tolerances. However, after a finishing cut it is possible to see “chatter” or “waves”.

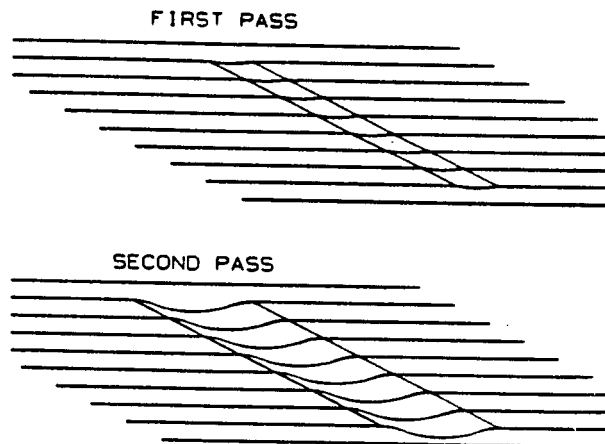
The best guarantee to remove the chatter is to finish the floor with a rotating horizontal sander, such as American Sanders Technology’s Sander 16.

To minimize chatter when using a belt or drum sander the following steps should be taken:

- 1) DRUM PAPER...insure the paper is secured in the slot, but not too tight. Paper that is too tight will force the drum slot wider, leaving a “slot mark chatter” on the floor.



- 2) DRUM MARKS.....are caused by the operator lowering the drum to the floor without forward traverse. These marks should be removed by cutting at a 45 degree angle to the mark. Cutting at the mark while maintaining the same path will only increase the mark depth and width.



Chatter Wave Prevention (cont)

- 3) UNEVEN WALKING PACE..... can leave lengthy “waves”. The machine cuts more material during the slower pace. Pay particular attention to a steady, even pace.
- 4) EXCESSIVE LIGHT CUTS.... may reveal high spots on the paper/contact wheel and cause chatter. Take a heavier cut and increase the pace.
- 5) DEBRIS.... lodged between the paper and the drum will leave chatter. On a belt sander, debris may be adhered to the drum. Insure the drum is clean and free of debris before placing the paper on.
- 6) SANDER PAPER QUALITY....may vary. Belt seams can be thicker on low quality paper and cause chatter. Use only American Sanders Technology specified sandpaper.

PROPER CARE OF YOUR MACHINE CAN MINIMIZE CHATTER AND WAVES.

- 1) V-BELTS.... can cause vibration and chatter if they are of low quality. Use only belts specified by American Sanders Technology.
- 2) TRUCK AND CASTER WHEELS....with flat spots, out-of-roundness, or debris adhered to their surface can cause “waves” or a “chatter effect”. Always clean and inspect all wheels before starting to sand, and before the finish cut. Replace or true the wheels if found to be out-of-round.
- 3) DUST PICK-UP SHOES.....may need adjusted differently for different materials that are to be sanded. An improperly adjusted shoe will leave trailing debris that will be run over by the wheels and cause “random waves”.
- 4) CONTACT WHEELS (DRUMS).....may be out-of-round and cause “chatter”. Contact your American Sanders Technology dealer for assistance to true or replace the drum.
- 5) BEARINGS.....in the motor, drum, or fan system may become worn and induce vibration which could cause “chatter”.
- 6) PULLEYS.....that are damaged or severely worn can induce vibration and cause “chatter”. Contact your American Sanders Technology dealer for assistance.

American Sanders Technology is not responsible for rework of floors that are unacceptable to the customer. It is your responsibility to insure your equipment is in proper operating order, and that you use the right machine for the job.