

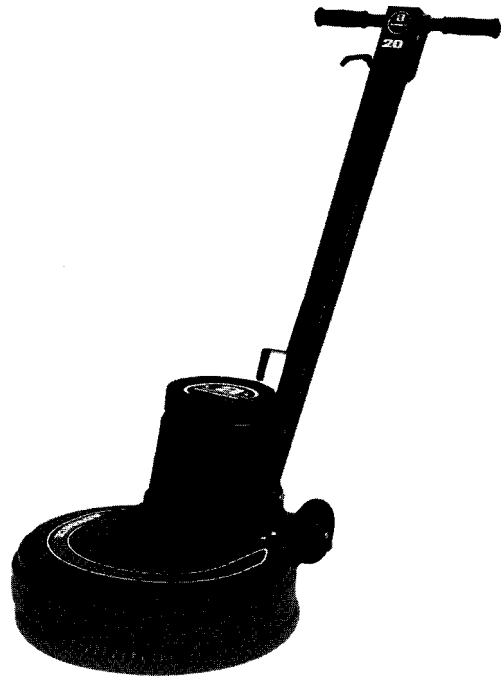
PARTS LIST

Advance

Matador™ 17, 20

Models 172200,172205,172220,172225,172208

This parts list is for machines after serial number 291095



Order Parts Here:



 **Nilfisk
Advance**

setting standards

revised 9/99 Form Number 042225

OPTIONAL BRUSHES AND ACCESSORIES

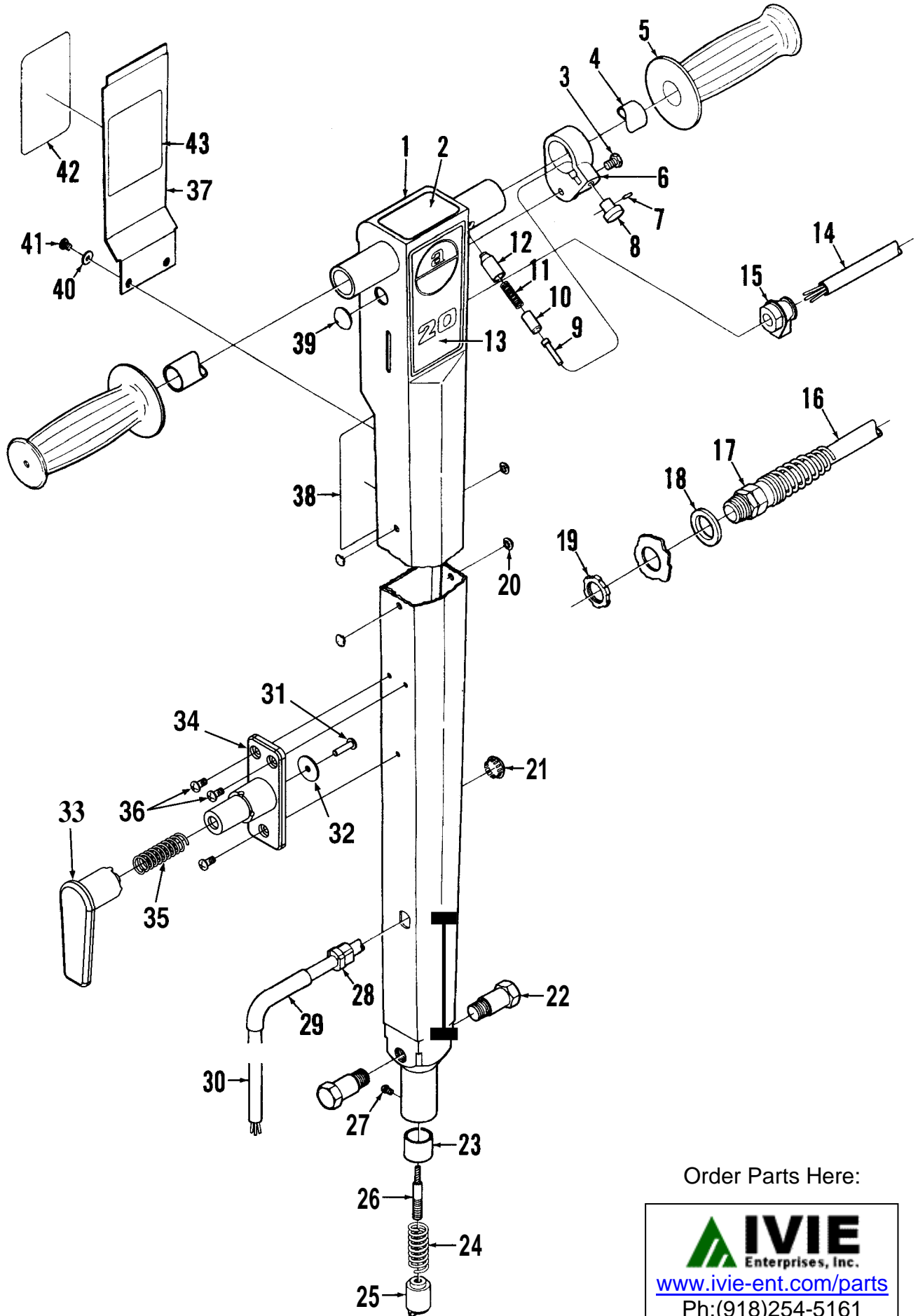
Part No.	Qty	Description	Part No.	Qty	Description
17" Brushes For Silver NP-47 Drive Cap			182058	AIR	"Pad Grab" Pad Retainer (snap in)
505055	1	Magna Grit™ 46 Brush, 17"	393567	AIR	"Big Mouth" Pad Retainer (threaded)
505054	1	Dyna Grit™ 80 Brush, 17'	172305	1	17' Splash Guard
505078	1	MidLite Grit™ 180 Brush, 17'	172313	1	20" Splash Guard
505082	1	MidGrit™ 240 Brush, 17'	171700	1	Motor Mount Solution Tank
505059	1	AgLite™ 500 Brush, 17"	168701	1	17" Handle Mount Solution Tank
505331	1	Prolene Brush, 17"	168700	1	20" Handle Mount Solution Tank
505076	1	ProLite™ Brush, 17"	600358	1	Spray Buff Mister
505334	1	Union Mix Brush, 17'			
505330	1	Short-Trim Pad Holder, 17"			
505180	1	Level-Set Pad Holder, 17"			
505530	1	Soft-Touch™ Shampoo Brush, 17"			
505537	1	Soft-Touch™ Shampoo Brush Assy, 17"			
506001	1	Clutch Plate for Above Brushes (Silver/NP-47)			
2 0 Brushes For Silver NP-47 Drive Cap					
505058	1	Magna Grit™ 46 Brush, 20"			
505048	1	Dyna Grit™ 80 Brush, 20"			
505079	1	MidLite Grit™ 180 Brush, 20"			
505083	1	MidGrit™ 240 Brush, 20"			
505063	1	AgLite™ 500 Brush, 20"			
505450	1	Prolene Brush, 20"			
505077	1	ProLite™ Brush, 20"			
505454	1	Union Mix Brush, 20"			
505455	1	Short-Trim Pad Holder, 2 0			
505183	1	Level-Set Pad Holder, 2 0			
505531	1	Soft-Touch™ Shampoo Brush, 20"			
505538	1	Soft-Touch™ Shampoo Brush Assy, 2 0			
506001	1	Clutch Plate for Above Brushes (Silver/NP-47)			
17" Brushes For Gold NP-92 Drive Cap					
505911	1	Magna Grit™ 46 Brush, 17"			
505912	1	Dyna Grit™ 80 Brush, 17"			
505918	1	MidLite Grit™ 180 Brush, 17'			
505917	1	MidGrit™ 240 Brush, 17"			
505913	1	AgLite™ 500 Brush, 17'			
505914	1	Prolene Brush, 17"			
505915	1	ProLite™ Brush, 17'			
505916	1	Union Mix Brush, 17"			
505910	1	Short-Trim Pad Holder, 17"			
505270	1	Level-Set Pad Holder, 17"			
505539	1	Soft-Touch™ Shampoo Brush Assy, 17"			
506006	1	Clutch Plate for Above Brushes (Plastic/NP-92)			
2 0 Brushes For Gold NP-92 Drive Cap					
505921	1	Magna Grit™ 46 Brush, 20"			
505922	1	Dyna Grit™ 80 Brush, 20"			
505928	1	MidLite Grit™ 180 Brush, 20"			
505927	1	MidGrit™ 240 Brush, 20"			
505923	1	AgLite™ 500 Brush, 20"			
505924		Prolene Brush, 2 0			
505925		ProLite™ Brush, 20"			
505926		Union Mix Brush, 20"			
505920		Short-Trim Pad Holder, 20'			
505280		Level-Set Pad Holder, 20'			
505540		Soft-Touch™ Shampoo Brush Assy, 20"			
506006		Clutch Plate for Above Brushes (Plastic/NP-92)			

Order Parts Here:



www.ivie-ent.com/parts

Ph:(918)254-5161



Order Parts Here:


IVIE
Enterprises, Inc.
www.ivie-ent.com/parts
Ph: (918)254-5161

HANDLE ASSEMBLY - FRONT VIEW

Item	Part No.	Qty	Description
	172298	1	Handle Assembly 115V
	172337	1	Handle Assembly 230V
1	172274	1	Handle 115V
	172332	1	Handle 230V
2	014924	1	Decal, Warning 115V
3		1	1/4-20 x 1/2 Screw
		1	1/4-20 Nut
4	171343	1	Handle Tube 115V
	183498	1	Handle Tube 230V
5	388545	2	Hand Grip 115V
	900248	2	Hand Grip 230V
6	172275	1	Collar
	172321	1	Collar Assy (#6-9)
7	201472	1	Pin
8	201405	1	Knob
9	172217	1	Pin
10	171279		Plunger
11	201448		Spring
12	171281		Bushing
13	014096		Decal, 20
	014085		Decal, 17
14	183587		Cord Set 230V
15	183586		Strain Relief 230V
16	524069		Cord Set 115V
17	109630		Strain Relief 115V
	109632		Brass Insert for 109630
18	171093	1	Washer 115V
19	171094	1	Nut 115V
20	153699	4	Button Plug
21	157244	1	Button Plug
22	171336	2	Shoulder Bolt
23	171269	1	Bushing
24	171361	1	Spring
25	171132	1	Plunger
26	171373	1	Cable
27		1	#4-40 x 1/4 Screw
28	382817	1	Strain Relief 115V
	163015	1	Strain Relief 230V
29	300602	1	Tube 230V
30	171128	1	Cord Set 115V
	172331	1	Cord Set 230V
31	387678	1	Bushing
32	172271	1	Cord Hook 115V
	183124	1	Cord Hook 230V
33	387684	1	Washer
34		1	#10-24 x 5/8 Screw
35	018336	1	Decal, Cord Hook 115V
36		2	#10-24 x 3/8 Screw
37	172272	1	Spring
38	014828	1	Decal, Warning 115V
	014204	1	Decal, Warning 230V
39	322231	2	Button Plug 230V
40		5	#8 Washer (2 on 230V)
41		5	#8-32 x 1/4 Screw (2 on 230V)
42	014033	1	Decal, Warning 230V
43	014326	1	Decal, Important
44	172273	1	Cover 115V
	183611	1	Cover 230V

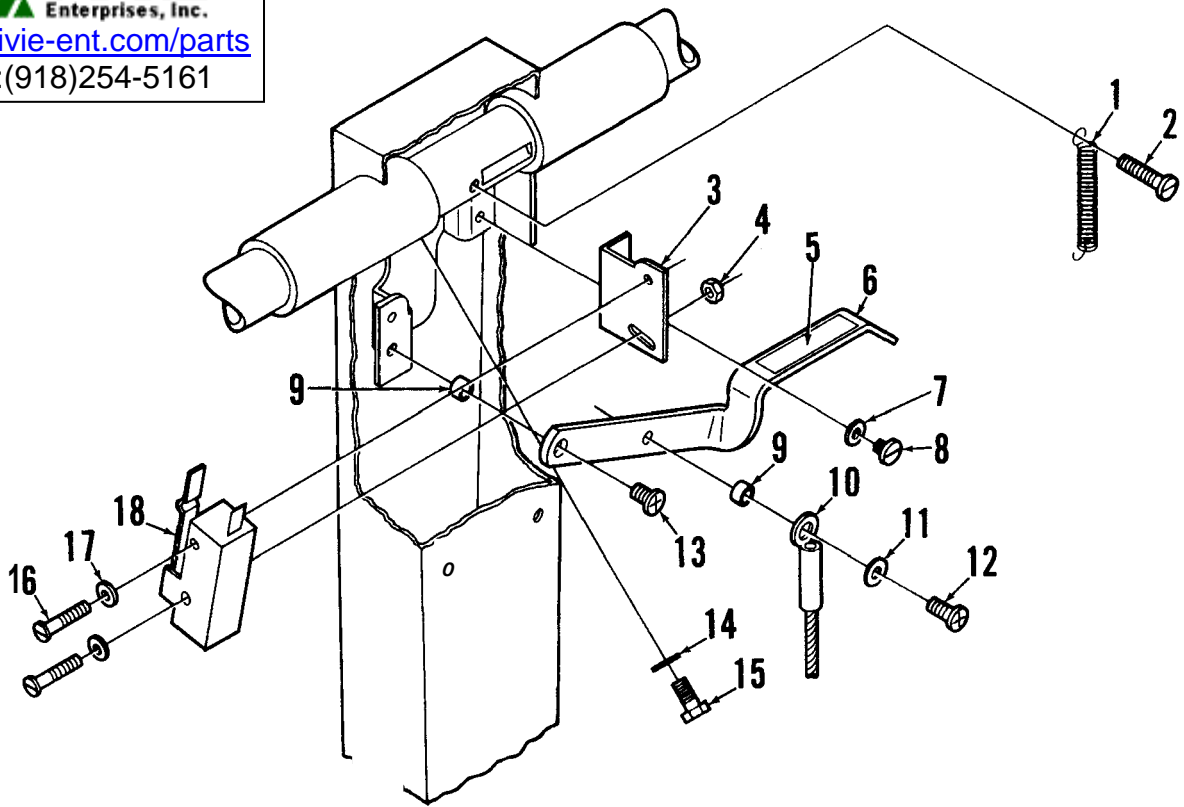
Order Parts Here:



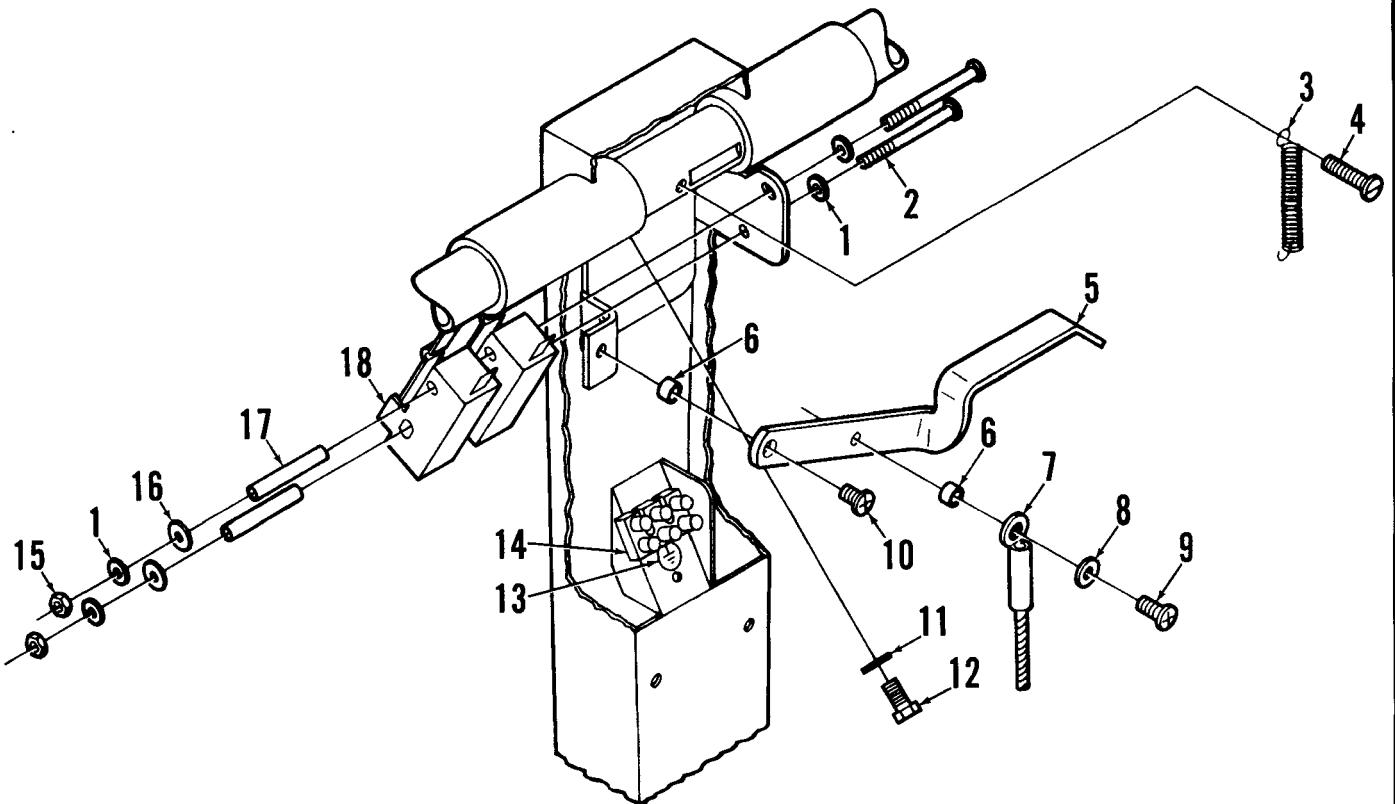
Order Parts Here:


www.ivie-ent.com/parts
Ph:(918)254-5161

115V



230V



115V HANDLE ASSEMBLY - REAR VIEW

Item	Part No.	Qty	Description
1	445177	1	Spring
2		1	#8-32 X 7/8 Screw
3	171209	1	Bracket
4		1	#4-40 Nut
5	014856	1	Decal, Handle
6	171126	1	Lever
7		5	#8 Washer
8		5	#8-32 X 1/4 Screw
9	151092	2	Spacer
10	171373	1	Cable
11	150150	1	Washer
12		1	#10-24 X 1/2 Screw
13		1	#10-24 X 3/8 Screw
14	001905	1	5/16 Shakeproof Washer
15	234079	1	1/4-20 X 1/2 Screw
16		2	#4-40 X 7/8 Screw
17		2	#4 Shakeproof Washer
18	385615	1	Switch
*	321737	1	Wire Nut
*	478246	1	Cable Tie

Order Parts Here:



* = not shown

230V HANDLE ASSEMBLY - REAR VIEW

Item	Part No.	Qty	Description
1		4	#4 Shakeproof Washer
2		2	#4-40 X 1 3/4 Screw
3	445177	1	Spring
4		1	#8-32 X 7/8 Screw
5	171126	1	Lever
6	151092	2	Spacer
7	171373	1	Cable
8	150150	1	Washer
9		2	#10-24 X 1/2 Screw
10		1	#10-24 X 3/8 Screw
11	001905	1	5/16 Shakeproof Washer
12	234079	1	1/4-20 X 1/2 Screw
13	014119	1	Decal, Ground Symbol
14	183523	1	Terminal Block
		2	#4-40 X 5/8 Screw
15		2	#4-40 Nut
16	200190	2	Fiber Washer
17	183589	2	Sleeve
18	385615	2	Switch
*	325219	3	Cable Tie

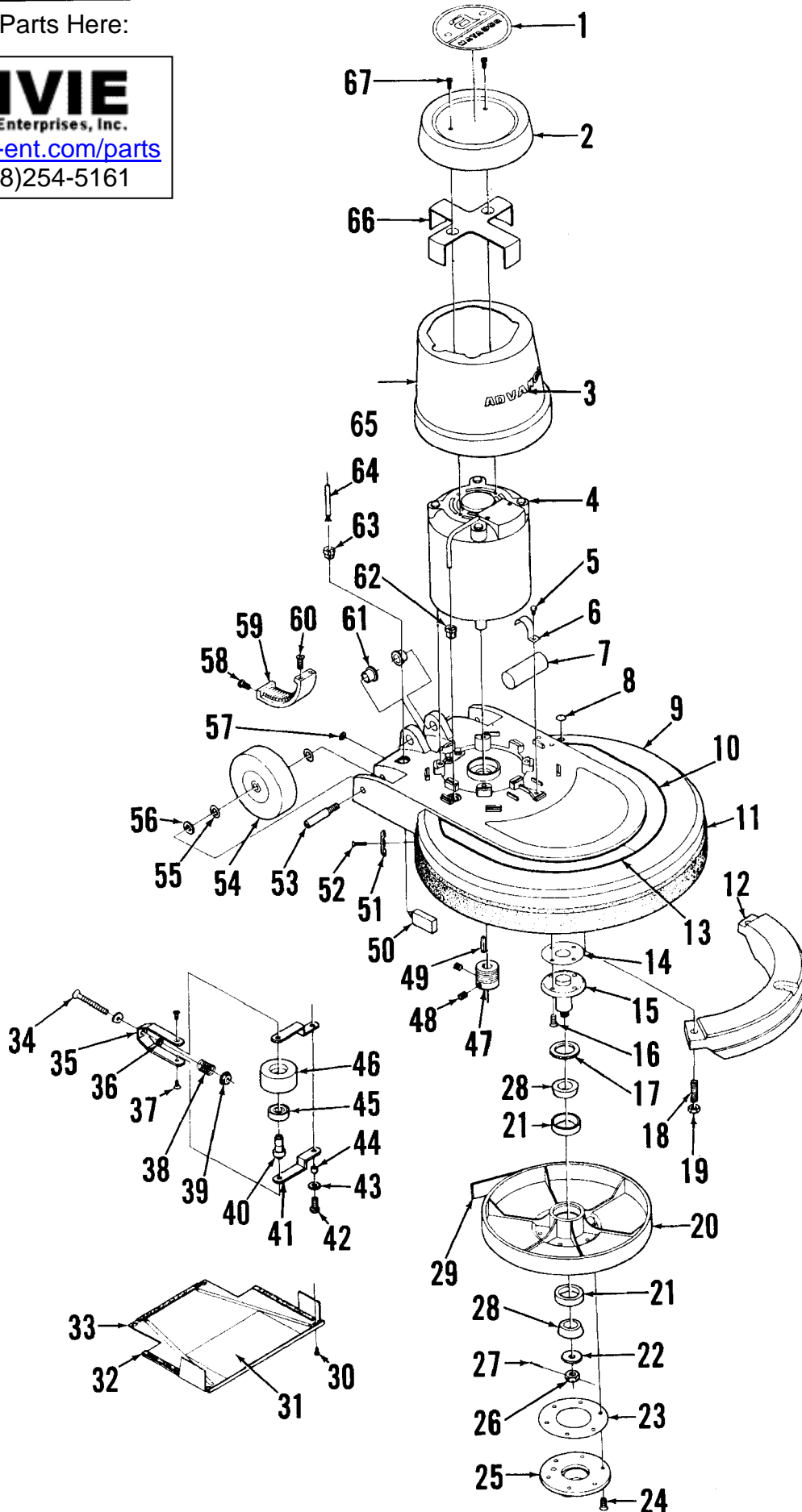
* = not shown

Order Parts Here:



www.ivie-ent.com/parts

Ph:(918)254-5161



BASE ASSEMBLY

Item	Part No.	Qty	Description	Item	Part No.	Qty	Description
1	014089	1	Decal, Matador Cover	31	014864	1	Decal, Instruction 115V
2	172277	1	Cover	32	320099	2	Gasket (50.8 mm)
3	014083	1	Decal, Advance	33	171092	1	Cover 17"
4	171140	1	Motor 115V/17"		171121	1	Cover 20"
	171228	1	Replacement Stationary Switch	34		1	1/4-20 x 3 Screw
	171230	4	Through Bolt	35	171174	1	Bracket
				36	206849	1	Bearing
	171141	1	Motor 230V/17"	37		2	#10-32 x 3/8 Screw
	524893	1	Replacement Stationary Switch	38	171177	1	Spring
	171230	4	Through Bolt	39		1	1/4-20 Nut
				40	171435	1	Stud
	171164	1	Motor 115V/20"	41	171176	2	Idler Bracket 115V
	171228	1	Replacement Stationary Switch		171039	2	Idler Bracket 230V
	171166	4	Through Bolt	42		1	1/4-20 x 3/4 Screw
				43		1	1/4 Washer
	171167	1	Motor 230V/20"	44	368989	1	Bushing
	171228	1	Replacement Stationary Switch	45	106070	1	Bearing
	171166	4	Through Bolt	46	171433	1	Pulley
				47	171088	1	Sheave 115V
5		1	#8-32 x 1/4 Screw		171414	1	Sheave 230V
6	171146	1	Clamp	48		2	5/16-18 x 1/2 Set Screw
7	171160	1	Capacitor	49	443719	1	Key
8	153648	1	Button Plug	50	171550	1	9A Circuit Breaker 230V/17"
9	172309	1	Skirt Housing 17'		387316	1	10A Circuit Breaker 230V/20"
	172303	1	Skirt Housing 20"			1	3/8-27 Brass Nut
10	014811	1	Decal, Left Stripe 17"	51	171108	2	Clamp
	014426	1	Decal, Left Stripe 2 0	52		2	#10-32 x 5/8 Screw
11	514070	1	Bumper 17'	53	520845	2	Axle
	514065	1	Bumper 20"			2	3/8-16 Nut
12	171060	1	Weight 17'	54	161691	2	Wheel
	171050	1	Weight 20"	55	155373	4	Washer
13	014799	1	Decal, Right Stripe 17"	56	155411	4	Washer (2 on 20")
	014425	1	Decal, Right Stripe 20"	57	171369	1	Button Plug 115V
14	171366	2	Shim 17"	58		2	1/4-20 x 5/8 Screw
15	171056	1	Stud Shaft	59	171104	1	Ratchet
16		4	1/4-20 x 1/2 Screw	60		2	1/4-20 x 3/4 Screw
17	171078	1	Seal	61	171095	2	Bearing
18	171221	3	Stud (2 on 17")	62	382817	1	Strain Relief
	171263	1	Stud 17"	63	382818	1	Strain Relief
19		3	5/16-18 Nut	64	171129	1	Cord Set 115V
20	171090	1	Pulley		172331	1	Cord Set 230V
	171376	1	Pulley assembly (#20,21)	65	172278	1	Shroud 17"
21	378259	2	Bearing Cup		172279	1	Shroud 20"
22	163449	1	Washer	66	171214	1	Clamp
23	158275	1	Gasket	67		2	#10-32 x 7/8 Screw
24		6	#12-24 x 5/8 Screw		300152	1	Cord Clamp
25	163430	1	Drive Cap (Silver/NP-47)		321737	2	Wire Nut
	163431	1	Drive Cap (Gold/NP-92)				
26	158313	1	Castle Nut				
27		1	Cotter Pin				
28	378267	2	Bearing				
29	171200	1	Belt				
30		4	#8-32 x 1/4 Screw				

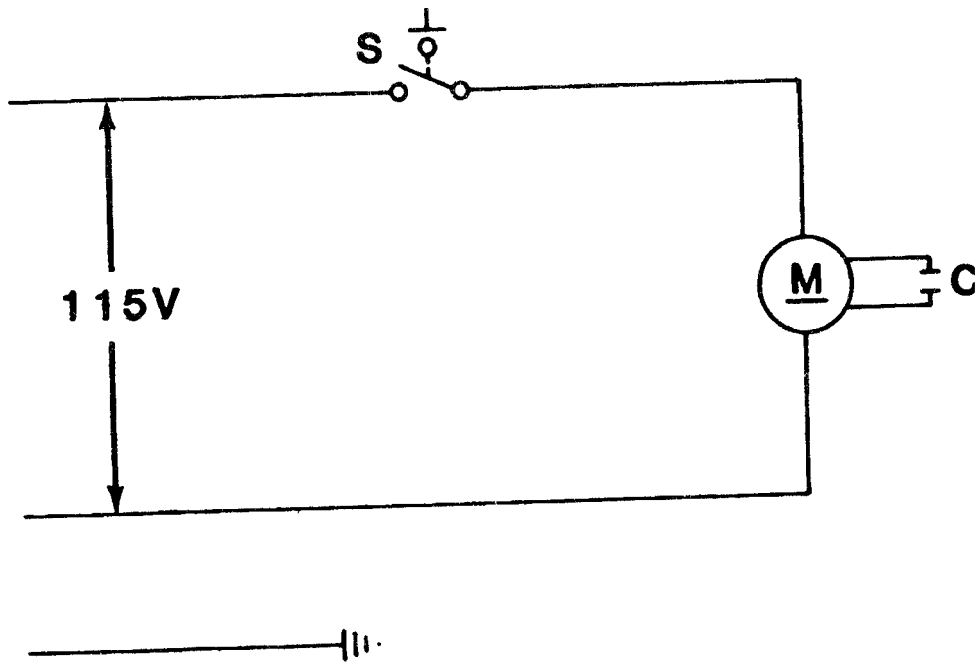
* = Not Shown

Order Parts Here:


www.ivie-ent.com/parts

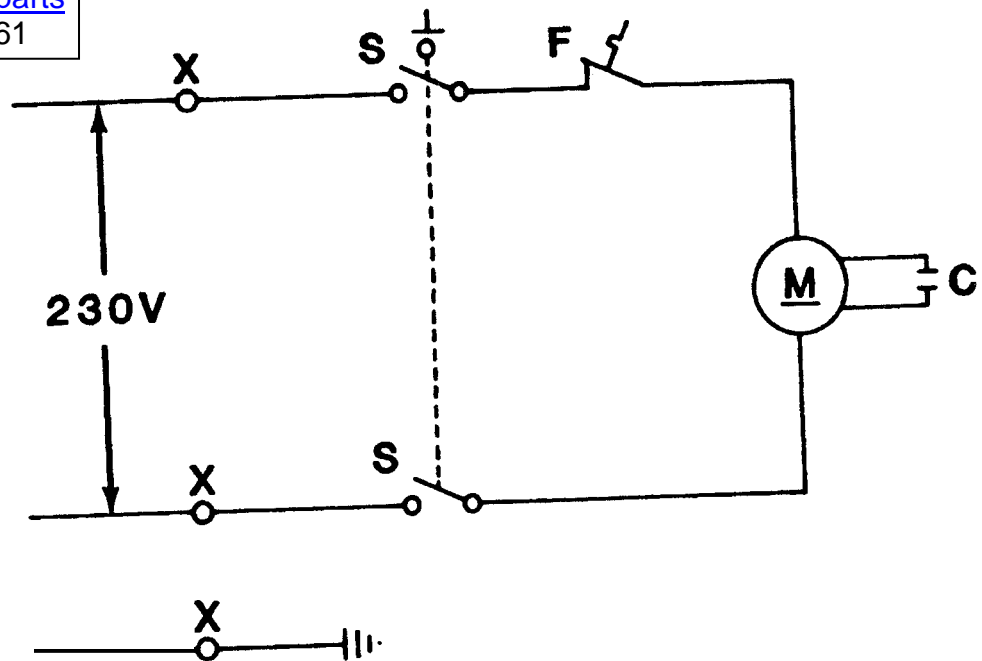
Ph:(918)254-5161

Note #1: See TSB 628, G-10 for information on clutch plate change.



Order Parts Here:

IVIE
Enterprises, Inc.
www.ivie-ent.com/parts
Ph:(918)254-5161



WIRING DIAGRAM 115V

Item	Part No.	Qty	Description
S	385615	1	Switch
M	171140	1	Motor 17"
	171228	1	Stationary Switch
	171164	1	Motor 20"
	171228	1	Stationary Switch
C	171160	1	Capacitor

WIRING DIAGRAM 230V

Item	Part No.	Qty	Description
X	183523	1	Terminal Block
S	385615	2	Switch
F	171550		9A Circuit Breaker 17"
	387316		10A Circuit Breaker 20"
M	171141		Motor 17"
	524893		Stationary Switch
	171167		Motor 20"
	524893		Stationary Switch
C	171160		Capacitor